

**DATASHEET
FOR
512K BIT SPI NOR FLASH**

BY25Q05AW

Features

- **Serial Peripheral Interface (SPI)**
 - Standard SPI: SCLK, /CS, SI, SO, /WP, /HOLD
 - Dual SPI: SCLK, /CS, IO0, IO1, /WP, /HOLD
 - Quad SPI: SCLK, /CS, IO0, IO1, IO2, IO3
 - Software Reset
- **Read**
 - Normal Read Data : 33MHz clock rate
 - others Read Data : 85MHz clock rate
- **Program**
 - Serial-input Page Program up to 256bytes
 - Dual-input Page Program up to 256bytes
 - Quad-input Page Program up to 256bytes
 - Program Suspend and Resume
- **Erase**
 - Page erase (256-byte)
 - Block erase (64/32 KB)
 - Sector erase (4 KB)
 - Chip erase
 - Erase Suspend and Resume
- **Program/Erase Speed**
 - Page Program time: 2ms typical
 - Page Erase time: 8ms typical
 - Sector/Block Erase time: 8ms typical
 - Chip Erase time: 8ms typical
- **Flexible Architecture**
 - Sector of 4K-byte
 - Block of 32/64K-byte
- **Low Power Consumption**
 - 3mA maximum active current
 - 0.6uA maximum power down current
- **Software/Hardware Write Protection**
 - 3x512-Byte Security Registers with OTP Lock
 - Enable/Disable protection with WP Pin
 - Write protect all/portion of memory via software protect
 - Top or Bottom, Sector or Block selection
- **Single Supply Voltage**
 - Full voltage range: 1.65~3.6V
- **Temperature Range**
 - Commercial (0°C to +70°C)
 - Industrial (-40°C to +85°C)
- **Cycling Endurance/Data Retention**
 - Typical 10k Program-Erase cycles on any sector
 - Typical 20-year data retention at +55°C

Contents

| | |
|---|----|
| Features | 2 |
| 1. Description | 4 |
| 2. Signal Description | 6 |
| 2.1 Input/Output Summary | 6 |
| 2.2 Chip Select (/CS) | 6 |
| 2.3 Serial Clock (SCLK) | 6 |
| 2.4 Serial Input (SI)/IO0 | 6 |
| 2.5 Serial Data Output (SO)/IO1 | 7 |
| 2.6 Write Protect (/WP)/IO2 | 7 |
| 2.7 HOLD (/HOLD)/IO3 | 7 |
| 2.8 VCC Power Supply | 7 |
| 2.9 VSS Ground | 7 |
| 3. Block/Sector Addresses | 8 |
| 4. Function Descriptions | 9 |
| 4.1 Standard SPI Instructions | 9 |
| 4.2 Dual SPI Instructions | 9 |
| 4.3 Quad SPI Instructions | 9 |
| 5. Operation Features | 10 |
| 5.1 Supply Voltage | 10 |
| 5.1.1 Operating Supply Voltage | 10 |
| 5.1.2 Power-up Conditions | 10 |
| 5.1.3 Device Reset | 10 |
| 5.1.4 Power-down | 10 |
| 5.2 Active Power and Standby Power Modes | 10 |
| 5.3 Hold Condition | 11 |
| 5.4 Status Register | 12 |
| 5.4.1 The Status and Control Bits | 12 |
| 5.4.2 Status Register Memory Protection | 14 |
| 6. Device Identification | 16 |
| 7. Instructions Description | 17 |
| 7.1 Configuration and Status Instructions | 19 |
| 7.1.1 Write Enable (06H) | 19 |
| 7.1.2 Write Enable for Volatile Status Register (50h) | 20 |
| 7.1.3 Write Disable (04h) | 20 |
| 7.1.4 Read Status Register-1 (05h) , Status Register-2 (35h) , Status Register-3(15h) | 21 |
| 7.1.5 Active Status Interrupt (25h) | 22 |
| 7.1.6 Write Status Register (01h or 31h or 11h) | 23 |
| 7.2 Read Instructions | 24 |
| 7.2.1 Normal Read Data (03H) | 24 |
| 7.2.2 Fast Read (0BH) | 25 |
| 7.2.3 Fast Read Dual Output (3Bh) | 26 |
| 7.2.4 Fast Read Quad Output (6Bh) | 27 |
| 7.2.5 Fast Read Dual I/O (BBh) | 28 |
| 7.2.6 Fast Read Quad I/O (EBh) | 30 |
| 7.2.7 Set Burst with Wrap (77h) | 32 |
| 7.3 ID and Power Instructions | 33 |
| 7.3.1 Deep Power-down (B9h) | 33 |

| | |
|--|-----------|
| 7.3.2 Release Power-down / Device ID (ABh)..... | 34 |
| 7.3.3 Read Manufacturer / Device ID (90h)..... | 35 |
| 7.3.4 Read Manufacturer / Device ID Dual I/O (92h)..... | 36 |
| 7.3.5 Read Manufacturer / Device ID Quad I/O (94h)..... | 37 |
| 7.3.6 Read JEDEC ID (9Fh)..... | 38 |
| 7.3.7 Read Unique ID Number (4Bh)..... | 39 |
| 7.4 Program / Erase and Security Instructions..... | 40 |
| 7.4.1 Page Program (02h)..... | 40 |
| 7.4.2 Dual Page Program (A2h)..... | 41 |
| 7.4.3 Quad Page Program (32h)..... | 42 |
| 7.4.4 Page Erase (81h/DBh)..... | 43 |
| 7.4.5 Sector Erase (20h)..... | 44 |
| 7.4.6 32KB Block Erase (52h)..... | 45 |
| 7.4.7 64KB Block Erase (D8h)..... | 46 |
| 7.4.8 Chip Erase (C7h / 60h)..... | 47 |
| 7.4.9 Program/Erase Suspend (75h)..... | 48 |
| 7.4.10 Program/Erase Resume (7Ah)..... | 50 |
| 7.4.11 Erase Security Registers (44h)..... | 51 |
| 7.4.12 Program Security Registers (42h)..... | 52 |
| 7.4.13 Read Security Registers (48h)..... | 53 |
| 7.4.14 Enable Reset (66h) and Reset Device (99h)..... | 54 |
| 7.4.15 Read Serial Flash Discoverable Parameter (5AH)..... | 55 |
| 8. Electrical Characteristics..... | 56 |
| 8.1 Absolute Maximum Ratings..... | 56 |
| 8.2 Operating Ranges..... | 56 |
| 8.3 Power-up Timing and Write Inhibit Threshold..... | 57 |
| 8.4 DC Electrical Characteristics..... | 58 |
| 8.5 AC Measurement Conditions..... | 59 |
| 8.6 AC Electrical Characteristics..... | 60 |
| 8.7 AC Electrical Characteristics (cont'd)..... | 61 |
| 8.8 Serial Output Timing..... | 62 |
| 8.9 Serial Input Timing..... | 62 |
| 8.10 /HOLD Timing..... | 62 |
| 8.11 /WP Timing..... | 62 |
| 9. Package Information..... | 63 |
| 9.1 Package 8-Pin SOP 150-mil..... | 63 |
| 9.2 Package 8-Pin SOP 208-mil..... | 64 |
| 9.3 Package 8-Pin TSSOP 173-mil..... | 65 |
| 9.4 Package USON8 (2X3mm)..... | 66 |
| 10. Order Information..... | 67 |
| 10.1 Valid part Numbers and Top Side Marking..... | 68 |
| 10.2 Minimum Packing Quantity (MPQ)..... | 68 |
| 11. Document Change History..... | 69 |

1. Description

The BY25Q05AW is 512K-bit Serial Peripheral Interface (SPI) Flash memory, designed for using in a wide variety of high-volume consumer based applications in which program code is shadowed from Flash memory into embedded or external RAM for execution. The flexible erase architecture of the device, with its page erase granularity it is ideal for data storage as well, eliminating the need for additional data storage devices.

The erase block sizes of the device have been optimized to meet the needs of today's code and data storage applications. By optimizing the size of the erase blocks, the memory space can be used much more efficiently. Because certain code modules and data storage segments must reside by themselves in their own erase regions, the wasted and unused memory space that occurs with large sectored and large block erase Flash memory devices can be greatly reduced. This increased memory space efficiency allows additional code routines and data storage segments to be added while still maintaining the same overall device density.

The device uses a single low voltage power supply, ranging from 1.65 Volt to 3.6 Volt, and supports JEDEC standard manufacturer and device ID, a 128-bit Unique Serial Number and three 512-bytes Security Registers.

Figure 1. Logic diagram

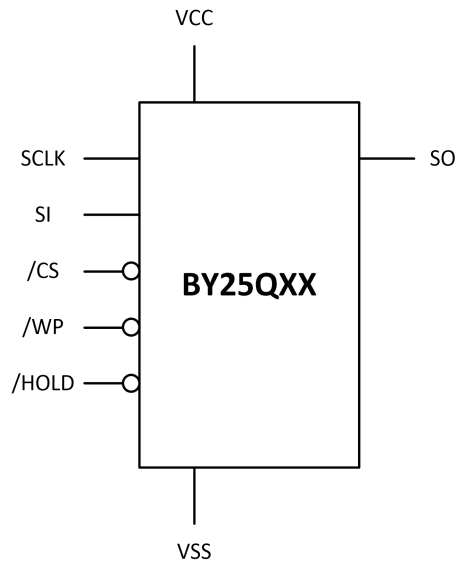


Figure 2. Pin Configuration SOP8/TSSOP8

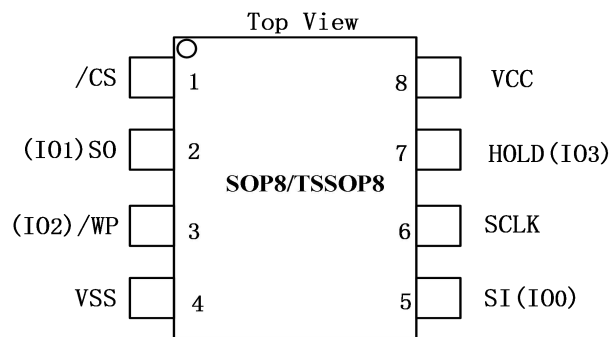
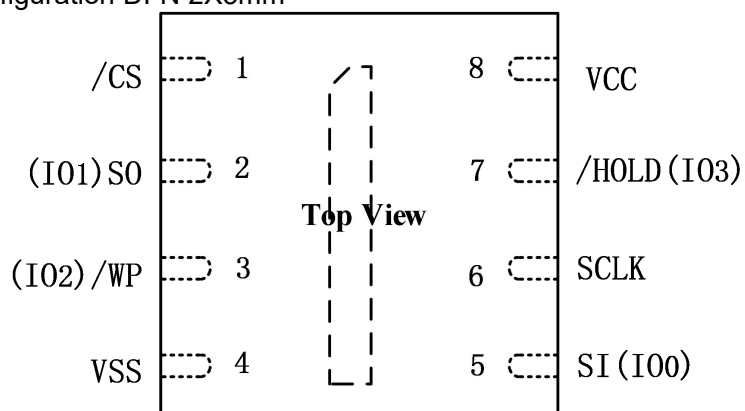


Figure 3. Pin Configuration DFN 2X3mm



2. Signal Description

During all operations, VCC must be held stable and within the specified valid range: VCC(min) to VCC(max).

All of the input and output signals must be held High or Low (according to voltages of VIH, VOH, VIL or VOL, see Section 8.4, *DC Electrical Characteristics*). These signals are described next.

2.1 Input/Output Summary

Table 1. Signal Names

| Pin Name | I/O | Description |
|-------------|-----|---|
| /CS | I | Chip Select |
| SO (IO1) | I/O | Serial Output for Standard SPI mode IO1 for Dual or Quad SPI mode |
| /WP (IO2) | I/O | Write Protect in Standard SPI mode or Dual SPI mode IO2 in Quad SPI mode. The signal has an internal pull-up resistor and may be left unconnected in the host system if not used for Quad SPI mode. |
| VSS | | Ground |
| SI (IO0) | I/O | Serial Input for Standard SPI mode. IO0 for Dual or Quad SPI mode. |
| SCLK | I | Serial Clock |
| /HOLD (IO3) | I/O | Hold (pause) serial transfer in Standard SPI mode or Dual SPI mode. IO3 in Quad SPI mode. The signal has an internal pull-up resistor and may be left unconnected in the host system if not used for Quad SPI mode. |
| VCC | | Core and I/O Power Supply |

2.2 Chip Select (/CS)

The chip select signal indicates when an instruction for the device is in process and the other signals are relevant for the memory device. When the /CS signal is at the logic high state, the device is not selected and all input signals are ignored and all output signals are high impedance. Unless an internal Program, Erase or Write Status Registers embedded operation is in progress, the device will be in the Standby Power mode. Driving the /CS input to logic low state enables the device, placing it in the Active Power mode. After Power Up, a falling edge on /CS is required prior to the start of any instruction.

2.3 Serial Clock (SCLK)

This input signal provides the synchronization reference for the SPI interface. Instructions, addresses, or data input are latched on the rising edge of the SCLK signal. Data output changes after the falling edge of SCLK.

2.4 Serial Input (SI)/IO0

This input signal is used to transfer data serially into the device. It receives instructions, addresses, and data to be programmed. Values are latched on the rising edge of serial SCK clock signal.

SI becomes IO0 an input and output during Dual and Quad SPI mode for receiving instructions, addresses, and data to be programmed (values latched on rising edge of serial SCK clock signal) as well as shifting out data (on the falling edge of SCK).

2.5 Serial Data Output (SO)/IO1

This output signal is used to transfer data serially out of the device. Data is shifted out on the falling edge of the serial SCK clock signal.

SO becomes IO1 an input and output during Dual and Quad SPI mode for receiving instructions, addresses, and data to be programmed (values latched on rising edge of serial SCK clock signal) as well as shifting out data (on the falling edge of SCK).

2.6 Write Protect (/WP)/IO2

When /WP is driven Low (VIL), while the Status Register Protect bits (SRP1 and SRP0) of the Status Registers (SR2[0] and SR1[7]) are set to 0 and 1 respectively, it is not possible to write to the Status Registers. This prevents any alteration of the Status Registers. As a consequence, all the data bytes in the memory area that are protected by the Block Protect, BP4, BP3 bits in the status registers, are also hardware protected against data modification while /WP remains Low. The /WP function is not available when the Quad mode is enabled (QE) in Status Register 2 (SR2[1]=1).

The /WP function is replaced by IO2 for input and output during Quad mode for receiving addresses, and data to be programmed (values are latched on rising edge of the SCK signal) as well as shifting out data (on the falling edge of SCK). /WP has an internal pull-up resistance; when unconnected; /WP is at VIH and may be left unconnected in the host system if not used for Quad mode.

2.7 HOLD (/HOLD)/IO3

The /HOLD signal goes low to stop any serial communications with the device, but doesn't stop the operation of write status register, programming, or erasing in progress.

The operation of HOLD, need /CS keep low, and starts on falling edge of the /HOLD signal, with SCLK signal being low (if SCLK is not being low, HOLD operation will not start until SCLK being low). The HOLD condition ends on rising edge of /HOLD signal with SCLK being low (If SCLK is not being low, HOLD operation will not end until SCLK being low).

When QE=0, the IO3 pin can be configured as a /HOLD pin. When QE=1, the /HOLD function is not available.

The HOLD function is replaced by IO3 for input and output during Quad mode for receiving addresses, and data to be programmed (values are latched on rising edge of the SCK signal) as well as shifting out data (on the falling edge of SCK).

2.8 VCC Power Supply

VCC is the supply voltage. It is the single voltage used for all device functions including read, program, and erase.

2.9 VSS Ground

VSS is the reference for the VCC supply voltage.

3. Block/Sector Addresses

Table 2. Block/Sector Addresses of BY25Q05AW

| Memory Density | Block(64k byte) | Block(32k byte) | Sector No. | Sector Size(KB) | Address range |
|----------------|-----------------|-----------------|------------|-----------------|-----------------|
| 512Kbit | Block 0 | Half block 0 | Sector 0 | 4 | 000000h-000FFFh |
| | | | : | : | : |
| | | | Sector 7 | 4 | 007000h-007FFFh |
| | | Half block 1 | Sector 8 | 4 | 008000h-008FFFh |
| | | | : | 4 | : |
| | | | Sector 15 | 4 | 00F000h-00FFFFh |

Notes:

1. Block = Uniform Block, and the size is 64K bytes.
2. Half block = Half Uniform Block, and the size is 32k bytes.
3. Sector = Uniform Sector, and the size is 4K bytes.

4. Function Descriptions

4.1 Standard SPI Instructions

The BY25Q05AW features a serial peripheral interface on 4 signals bus: Serial Clock (SCLK), Chip Select (/CS), Serial Data Input (SI) and Serial Data Output (SO). Both SPI bus mode 0 and 3 are supported.

4.2 Dual SPI Instructions

The BY25Q05AW supports Dual SPI operation when using the “Dual Output Fast Read” and “Dual I/O Fast Read” (3Bh and BBh) instructions. These instructions allow data to be transferred to or from the device at two times the rate of the standard SPI. When using the Dual SPI instruction the SI and SO pins become bidirectional I/O pins: IO0 and IO1

4.3 Quad SPI Instructions

The BY25Q05AW supports Quad SPI operation when using the “Quad Output Fast Read”, “Quad I/O Fast Read”, (6Bh, EBh,) instructions. These instructions allow data to be transferred to or from the device at four times the rate of the standard SPI. When using the Quad SPI instruction the SI and SO pins become bidirectional I/O pins: IO0 and IO1, and /WP and /HOLD pins become IO2 and IO3. Quad SPI instructions require the non-volatile Quad Enable bit (QE) in Status Register-2 to be set to 1.

All of the above three SPI mode (Standard SPI, Dual SPI and Quad SPI) have input bits (including instructions, addresses, data, M7~M0, W6~W4 etc.) latched on the rising edge of SCLK and output bits shifted out on the falling edge of SCLK.

5. Operation Features

5.1 Supply Voltage

5.1.1 Operating Supply Voltage

Prior to selecting the memory and issuing instructions to it, a valid and stable VCC voltage within the specified [VCC(min), VCC(max)] range must be applied (see [operating ranges](#)). In order to secure a stable DC supply voltage, it is recommended to decouple the VCC line with a suitable capacitor (usually of the order of 10 nF to 100 nF) close to the VCC/VSS package pins. This voltage must remain stable and valid until the end of the transmission of the instruction and, for a Write instruction, until the completion of the internal write cycle.

5.1.2 Power-up Conditions

When the power supply is turned on, VCC rises continuously from VSS to VCC. During this time, the Chip Select (/CS) line is not allowed to float but should follow the VCC voltage, it is therefore recommended to connect the /CS line to VCC via a suitable pull-up resistor.

In addition, the Chip Select (/CS) input offers a built-in safety feature, as the /CS input is edge sensitive as well as level sensitive: after power-up, the device does not become selected until a falling edge has first been detected on Chip Select (/CS). This ensures that Chip Select (/CS) must have been High, prior to going Low to start the first operation.

5.1.3 Device Reset

In order to prevent inadvertent Write operations during power-up (continuous rise of VCC), a power on reset (POR) circuit is included. At Power-up, the device does not respond to any instruction until VCC has reached the power on reset threshold voltage (this threshold is lower than the minimum VCC operating voltage defined in [Power-up Timing](#)).

When VCC is lower than V_{WI} , the device is reset.

5.1.4 Power-down

At Power-down (continuous decrease in VCC), as soon as VCC drops from the normal operating voltage to below the power on reset threshold voltage (V_{WI}), the device stops responding to any instruction sent to it. During Power-down, the device must be deselected (Chip Select (/CS) should be allowed to follow the voltage applied on VCC) and in Standby Power mode (that is there should be no internal Write cycle in progress).

5.2 Active Power and Standby Power Modes

When Chip Select (/CS) is Low, the device is selected, and in the Active Power mode. The device consumes ICC . When Chip Select (/CS) is High, the device is deselected. If a Write cycle is not currently in progress, the device then goes in to the Standby Power mode, and the device consumption drops to $ICC1$.

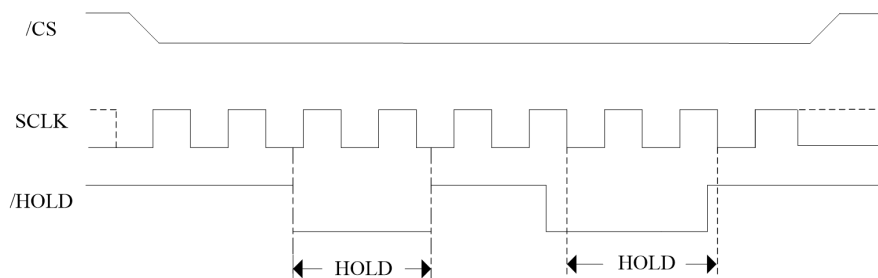
5.3 Hold Condition

The /HOLD signal goes low to stop any serial communications with the device, but doesn't stop the operation of write status register, programming, or erasing in progress.

The operation of HOLD, need /CS keep low, and starts on falling edge of the /HOLD signal, with SCLK signal being low (if SCLK is not being low, HOLD operation will not start until SCLK being low). The HOLD condition ends on rising edge of /HOLD signal with SCLK being low (if SCLK is not being low, HOLD operation will not end until SCLK being low).

The SO is high impedance, both SI and SCLK don't care during the HOLD operation in the condition of Standard SPI; The SI and SO are high impedance, SCLK don't care during the HOLD operation in the condition of Dual SPI. If /CS drives high during HOLD operation, it will reset the internal logic of the device to Standby Mode. To re-start communication with chip, the /HOLD must be at high and the /CS must be at low.

Figure 5.1. Hold condition activation



5.4 Status Register

5.4.1 The Status and Control Bits

| | SR3 | | | | | | | |
|--------------------------------|-----|------|------|-----|-----|-----|-----|-----|
| | S23 | S22 | S21 | S20 | S19 | S18 | S17 | S16 |
| | NOP | DRV1 | DRV0 | NOP | NOP | NOP | NOP | NOP |
| Default value ^{Note1} | n/a | | | n/a | n/a | n/a | n/a | n/a |

| | SR2 | | | | | | | |
|--------------------------------|------|-----|-----|-----|-----|------|----|------|
| | S15 | S14 | S13 | S12 | S11 | S10 | S9 | S8 |
| | SUS1 | CMP | LB3 | LB2 | LB1 | SUS2 | QE | SRP1 |
| Default value ^{Note1} | n/a | 0 | 0 | 0 | 0 | n/a | 0 | 0 |

| | SR1 | | | | | | | |
|--------------------------------|------|-----|-----|-----|-----|-----|-----|-----|
| | S7 | S6 | S5 | S4 | S3 | S2 | S1 | S0 |
| | SRP0 | BP4 | BP3 | BP2 | BP1 | BP0 | WEL | WIP |
| Default value ^{Note1} | 0 | 0 | 0 | 0 | 0 | 0 | n/a | n/a |

Notes:

1. The default value is set by Manufacturer during wafer sort, Marked as Default in following text

The status and control bits of the Status Register are as follows:

5.4.1.1 WIP bit

The Write in Progress (WIP) bit indicates whether the memory is busy in program / erase / write status register progress. When WIP bit is set to 1, means that the device is busy in program / erase / write status register progress, when WIP bit is cleared to 0, means that the device is not in program / erase / write status register progress.

5.4.1.2 WEL bit

The Write Enable Latch bit indicates the status of the internal Write Enable Latch. When WEL bit is set to 1 the internal Write Enable Latch is set, when WEL bit is cleared to 0 the internal Write Enable Latch is reset and no Write Status Register, Program or Erase instruction is accepted.

5.4.1.3 BP4, BP3, BP2, BP1, BP0 bits

The Block Protect (BP4, BP3, BP2, BP1, BP0) bits are non-volatile. They define the size of the area to be software protected against Program and Erase instructions. These bits are written with the Write Status Register instruction. When the Block Protect (BP4, BP3, BP2, BP1, BP0) bits are set to 1, the relevant memory (as defined in *Table 4* and *Table 5*) are became protected against Page Program, Page Erase, Sector Erase and Block Erase instructions. The Block Protect (BP4, BP3, BP2, BP1, BP0) bits can be written provided that the Hardware Protected mode has not been set. The Chip Erase instruction is executed. If the Block Protect (BP2, BP1, and BP0) bits are 0 and CMP=0 or the Block Protect (BP2, BP1 and BP0) bits are 1 and CMP=1.

5.4.1.4 SRP1, SRP0 bits

The Status Register Protect (SRP1 and SRP0) bits are non-volatile Read/Write bits in the status register. The SRP bits control the method of write protection: software protection, hardware protection, power supply lock-down or one time programmable protection.

Table 3. Status Register protect table

| SRP1 | SRP0 | /WP | Status Register | Description |
|------|------|-----|---------------------------------------|--|
| 0 | 0 | X | Software Protected | The Status Register can be written to after a Write Enable instruction, WEL=1.(Default) |
| 0 | 1 | 0 | Hardware Protected | /WP=0, the Status Register locked and cannot be written. |
| 0 | 1 | 1 | Hardware Unprotected | /WP=1, the Status Register is unlocked and can be written to after a Write Enable instruction, WEL=1. |
| 1 | 0 | X | Power Supply Lock-Down ⁽¹⁾ | Status Register is protected and cannot be written to again until the next Power-Down, Power-Up cycle. |
| 1 | 1 | X | One Time Program ⁽²⁾ | Status Register is permanently protected and cannot be written to. |

Notes:

1. When SRP1, SRP0= (1, 0), a Power-Down, Power-Up cycle will change SRP1, SRP0 to (0, 0) state.
2. The One time Program feature is available upon special order. Please contact BY Technology for details.

5.4.1.5 QE bit

The Quad Enable (QE) bit is a non-volatile Read/Write bit in the Status Register that allows Quad SPI operation. When the QE bit is set to 0 (Default) the /WP pin and /HOLD pin are enable. When the QE bit is set to 1, the Quad IO2 and IO3 pins are enabled. (The QE bit should never be set to 1 during standard SPI or Dual SPI operation if the /WP or /HOLD pins directly to the power supply or ground).

5.4.1.6 LB3/LB2/LB1 bit

The LB bit is a non-volatile One Time Program (OTP) bit in Status Register (S13-S11) that provide the write protect control and status to the Security Registers. The default state of LB is 0, the security registers are unlocked. LB can be set to 1 individually using the Write Register instruction. LB is One Time Programmable, once it's set to 1, the Security Registers will become read-only permanently (LB3-1 corresponds to S13-11).

5.4.1.7 SUS1, SUS2 bit

The SUS1 and SUS2 bit are read only bits in the status register² (S15 and S10) that are set to 1 after executing a Program/Erase Suspend (75H) instruction (The Erase Suspend will set SUS1 to 1. The Program Suspend will set the SUS2 to 1). The SUS bits are cleared to 0 by Program/Erase Resume (7AH) instruction. Software reset (66H/99H) instruction as well as a power-down, power-up cycle.

5.4.1.8 Complement Protect (CMP)

The Complement Protect bit (CMP) is a non-volatile read/write bit in the status register. It is used in conjunction with BP4, BP3, BP2, BP1 and BP0 bits to provide more flexibility for the array protection. Please refer to the *Status Register Memory Protection table* for details. The default setting is CMP=0.

5.4.1.9 DRV1/DRV0 bit

The DRV1&DRV0 bits are used to determine the output driver strength for the READ instruction

| DRV1,DRV0 | Driver Strength |
|-----------|-----------------|
| 00 | |
| 01 | |
| 10 | |
| 11 | |

5.4.2 Status Register Memory Protection

5.4.2.1 Protect Table

Table 4. BY25Q05AW Status Register Memory Protection (CMP = 0)

| STATUS REGISTER ⁽¹⁾ | | | | | BY25Q05AW (512K-BIT) MEMORY PROTECTION ⁽³⁾ | | | |
|--------------------------------|-----|-----|-----|-----|---|---------------------|-------------------|----------------------------------|
| BP4 | BP3 | BP2 | BP1 | BP0 | PROTECTED BLOCK(S) | PROTECTED ADDRESSES | PROTECTED DENSITY | PROTECTED PORTION ⁽²⁾ |
| 0 | X | X | X | 0 | NONE | NONE | NONE | NONE |
| 0 | X | X | X | 1 | 0 | 000000h – 00FFFFh | 64KB | ALL |
| 1 | X | 0 | 0 | 0 | NONE | NONE | NONE | NONE |
| 1 | 0 | 0 | 0 | 1 | 0 | 00F000h – 00FFFFh | 4KB | U - 1/16 |
| 1 | 0 | 0 | 1 | 0 | 0 | 00E000h – 00FFFFh | 8KB | U - 1/8 |
| 1 | 0 | 0 | 1 | 1 | 0 | 00C000h – 00FFFFh | 16KB | U - 1/4 |
| 1 | 0 | 1 | 0 | X | 0 | 008000h – 00FFFFh | 32KB | U - 1/2 |
| 1 | 0 | 1 | 1 | 0 | 0 | 008000h – 00FFFFh | 32KB | U - 1/2 |
| 1 | 1 | 0 | 0 | 1 | 0 | 000000h – 000FFFh | 4KB | L - 1/16 |
| 1 | 1 | 0 | 1 | 0 | 0 | 000000h – 001FFFh | 8KB | L - 1/8 |
| 1 | 1 | 0 | 1 | 1 | 0 | 000000h – 003FFFh | 16KB | L - 1/4 |
| 1 | 1 | 1 | 0 | X | 0 | 000000h – 007FFFh | 32KB | L - 1/2 |
| 1 | 1 | 1 | 1 | 0 | 0 | 000000h – 007FFFh | 32KB | L - 1/2 |
| 1 | X | 1 | 1 | 1 | 0 to 1 | 000000h – 00FFFFh | 64KB | ALL |

Notes:

1. X = don't care
2. L = Lower; U = Upper
3. If any Erase or Program instruction specifies a memory region that contains protected data portion, this instruction will be ignored.

Table 5. BY25Q05AW Status Register Memory Protection (CMP = 1)

| STATUS REGISTER ⁽¹⁾ | | | | | BY25Q05AW (512K-BIT) MEMORY PROTECTION ⁽³⁾ | | | |
|--------------------------------|-----|-----|-----|-----|---|---------------------|-------------------|----------------------------------|
| BP4 | BP3 | BP2 | BP1 | BP0 | PROTECTED BLOCK(S) | PROTECTED ADDRESSES | PROTECTED DENSITY | PROTECTED PORTION ⁽²⁾ |
| 0 | X | X | X | 0 | 0 | 000000h – 00FFFFh | 64KB | ALL |
| 0 | X | X | X | 1 | NONE | NONE | NONE | NONE |
| 1 | X | 0 | 0 | 0 | 0 | 000000h – 00FFFFh | 64KB | ALL |
| 1 | 0 | 0 | 0 | 1 | 0 | 000000h – 00EFFFh | 60KB | L - 15/16 |
| 1 | 0 | 0 | 1 | 0 | 0 | 000000h – 00DFFFh | 56KB | L - 7/8 |
| 1 | 0 | 0 | 1 | 1 | 0 | 000000h – 00BFFFh | 48KB | L - 3/4 |
| 1 | 0 | 1 | 0 | X | 0 | 000000h – 007FFFh | 32KB | L - 1/2 |
| 1 | 0 | 1 | 1 | 0 | 0 | 000000h – 007FFFh | 32KB | L - 1/2 |
| 1 | 1 | 0 | 0 | 1 | 0 | 001000h – 00FFFFh | 60KB | U - 15/16 |
| 1 | 1 | 0 | 1 | 0 | 0 | 002000h – 00FFFFh | 56KB | U - 7/8 |
| 1 | 1 | 0 | 1 | 1 | 0 | 004000h – 00FFFFh | 48KB | U - 3/4 |
| 1 | 1 | 1 | 0 | X | 0 | 008000h – 00FFFFh | 32KB | U - 1/2 |
| 1 | 1 | 1 | 1 | 0 | 0 | 000000h – 00FFFFh | 32KB | U - 1/2 |
| 1 | X | 1 | 1 | 1 | NONE | NONE | NONE | NONE |

Notes:

1. X = don't care
2. L = Lower; U = Upper
3. If any Erase or Program instruction specifies a memory region that contains protected data portion, this instruction will be ignore

6. Device Identification

Three legacy Instructions (9Fh/90h/ABh) and two new Instructions (92h/94h) in Dual/Quad SPI mode are supported to access device identification that can indicate the manufacturer, device type, and capacity (density). The returned data bytes provide the information as shown in the below table.

Table 6. BY25Q05AW ID Definition table

| Operation Code | M7-M0 | ID15-ID8 | ID7-ID0 |
|----------------|-------|----------|---------|
| 9Fh | 68 | 10 | 10 |
| 90h / 92h /94h | 68 | | 09 |
| ABh | | | 09 |

7. Instructions Description

All instructions, addresses and data are shifted in and out of the device, beginning with the most significant bit on the first rising edge of SCLK after /CS is driven low. Then, the one byte instruction code must be shifted in to the device, most significant bit first on SI, each bit being latched on the rising edges of SCLK.

See [Table 7](#), every instruction sequence starts with a one-byte instruction code. Depending on the instruction, this might be followed by address bytes, or by data bytes, or by both or none.

For the instruction of Read, Fast Read, Read Status Register-1, Read Status Register-2 or Release from Deep Power Down, and Read Device ID, the shifted-in instruction sequence is followed by a data out sequence. /CS can be driven high after any bit of the data-out sequence is being shifted out.

For the instruction of Page Program, Page Erase, Sector Erase, Block Erase, Chip Erase, Write Status Register, Write Enable, Write Disable or Deep Power-Down instruction, /CS must be driven high exactly at a byte boundary, otherwise the instruction is rejected, and is not executed. That is /CS must drive high when the number of clock pulses after /CS being driven low is an exact multiple of eight. For Page Program, if at any time the input byte is not a full byte, nothing will happen and WEL will not be reset.

Table 7. Instruction Set Table 1 ⁽¹⁾

| Instruction Name | Byte 1 | Byte 2 | Byte 3 | Byte 4 | Byte 5 | Byte 6 | n-Bytes |
|--|---------|--------------------------------|-------------------------------|------------------------|--------------------------|--|--------------|
| Read | | | | | | | |
| Normal Read Data | 03h | A23-A16 | A15-A8 | A7-A0 | (D7-D0) | (Next Byte) | (continuous) |
| Fast Read | 0Bh | A23-A16 | A15-A8 | A7-A0 | Dummy | (D7-D0) | (continuous) |
| Dual Output Fast read | 3Bh | A23-A16 | A15-A8 | A7-A0 | Dummy | (D7-D0) ⁽²⁾ | (continuous) |
| Quad Output Fast read | 6Bh | A23-A16 | A15-A8 | A7-A0 | Dummy | (D7-D0) ⁽³⁾ | (continuous) |
| Dual I/O Fast read | BBh | A23-A8 ⁽⁴⁾ | A7-A0 M7-M0 ⁽⁴⁾ | (D7-D0) | | | (continuous) |
| Quad I/O Fast read | EBh | A23-A0 M7-M0 ⁽⁵⁾ | Dummy | (D7-D0) ⁽⁶⁾ | | | (continuous) |
| Set Burst With Wrap | 77h | W6-W4 | | | | | |
| Program/Erase and Suspend | | | | | | | |
| Page Program | 02h | A23-A16 | A15-A8 | A7-A0 | (D7-D0) ⁽⁷⁾ | (Next Byte) | |
| Dual Page Program | A2h | A23-A16 | A15-A8 | A7-A0 | (D7-D0) ⁽⁷⁾ | (Next Byte) | |
| Quad Page Program | 32h | A23-A16 | A15-A8 | A7-A0 | (D7-D0) ⁽⁷⁾ | (Next Byte) | |
| Page Erase | 81h/DBh | A23-A16 | A15-A8 | A7-A0 | | | |
| Sector Erase (4KB) | 20h | A23-A16 | A15-A8 | A7-A0 | | | |
| Block Erase (32KB) | 52h | A23-A16 | A15-A8 | A7-A0 | | | |
| Block Erase (64KB) | D8h | A23-A16 | A15-A8 | A7-A0 | | | |
| Chip Erase | C7h/60h | | | | | | |
| Program/Erase Suspend | 75h | | | | | | |
| Program/Erase Resume | 7Ah | | | | | | |
| Security | | | | | | | |
| Erase Security Registers | 44h | A23-A16 ⁽⁸⁾ | A15-A8 ⁽⁸⁾ | A7-A0 ⁽⁸⁾ | | | |
| Program Security Registers | 42h | A23-A16 ⁽⁸⁾ | A15-A8 ⁽⁸⁾ | A7-A0 ⁽⁸⁾ | D7-D0 | Next Byte | |
| Read Security Registers | 48h | A23-A16 ⁽⁸⁾ | A15-A8 ⁽⁸⁾ | A7-A0 ⁽⁸⁾ | Dummy | D7-D0 | |
| Read Serial Flash Discoverable Parameter | 5Ah | A23-A16 | A15-A8 | A7-A0 | Dummy | (D7-D0) | (continuous) |
| Configuration | | | | | | | |
| Write Enable | 06h | | | | | | |
| Volatile SR Write Enable | 50h | | | | | | |
| Write Disable | 04h | | | | | | |
| Status Register | | | | | | | |
| Read Status Register-1 | 05h | (S7-S0) ⁽⁹⁾ | | | | | (continuous) |
| Write Status Register ⁽¹⁰⁾ | 01h | S7-S0 | S15-S8 | | | | |
| Read Status Register-2 | 35h | (S15-S8) ⁽⁹⁾ | | | | | (continuous) |
| Write Status Register-2 | 31h | S15-S8 | | | | | |
| Read Status Register-3 | 15h | (S23-S16) ⁽⁹⁾ | | | | | (continuous) |
| Write Status Register-3 | 11h | S23-S16 | | | | | |
| Active Status Interrupt | 25h | | | | | | |
| ID and Power | | | | | | | |
| Deep Power-down | B9h | | | | | | |
| Release Power-down / ID | ABh | Dummy | Dummy | Dummy | (ID7-ID0) ⁽⁹⁾ | | (continuous) |
| Release Power-down | ABH | | | | | | |
| Manufacturer/Device ID | 90h | Dummy | Dummy | 00/01h | (MF7-MF0)/ (ID7-ID0) | (ID7-ID0) ⁽⁹⁾ / (MF7-MF0) ⁽⁹⁾ | (continuous) |
| Mftr./Device ID Dual I/O | 92h | A23-A8 ⁽⁴⁾ | A7-A0 ⁽⁴⁾ M7-M0 | (M7-M0) (D7-D0) | | | (continuous) |
| Mftr./Device ID Quad I/O | 94h | A23-A0 | (M7-M0) | | | | (continuous) |

| | | | | | | | |
|---------------------------|-----|----------------------|------------------------|--------------------------|-------|-------------|--------------|
| | | M7-M0 ⁽⁵⁾ | (D7-D0) ⁽⁶⁾ | | | | |
| Read JEDEC ID | 9Fh | (MF7-MF0) | (ID15-ID8) | (ID7-ID0) ⁽⁹⁾ | | | (continuous) |
| Read Unique ID Number | 4Bh | Dummy | Dummy | Dummy | Dummy | (ID127-ID0) | |
| Other Instructions | | | | | | | |
| Enable Reset | 66h | | | | | | |
| Reset Device | 99h | | | | | | |

Notes:

- Data bytes are shifted with Most Significant Bit first. Byte fields with data in parenthesis “()” indicate data output from the device.
- Dual SPI data output format:
IO0 = (D6, D4, D2, D0)
IO1 = (D7, D5, D3, D1)
- Quad SPI data output format:
IO0 = (D4, D0,)
IO1 = (D5, D1,)
IO2 = (D6, D2,)
IO3 = (D7, D3,)
- Dual SPI address input format:
IO0 = A22, A20, A18, A16, A14, A12, A10, A8, A6, A4, A2, A0, M6, M4, M2, M0
IO1 = A23, A21, A19, A17, A15, A13, A11, A9, A7, A5, A3, A1, M7, M5, M3, M1
- Quad SPI address input format:
IO0 = A20, A16, A12, A8, A4, A0, M4, M0
IO1 = A21, A17, A13, A9, A5, A1, M5, M1
IO2 = A22, A18, A14, A10, A6, A2, M6, M2
IO3 = A23, A19, A15, A11, A7, A3, M7, M3
- Fast Read Quad I/O data output format:
IO0 = (x, x, x, x, D4, D0, D4, D0)
IO1 = (x, x, x, x, D5, D1, D5, D1)
IO2 = (x, x, x, x, D6, D2, D6, D2)
IO3 = (x, x, x, x, D7, D3, D7, D3)
- At least one byte of data input is required for Page Program, Dual Page Program, Quad Page Program and Program Security Registers, up to 256 bytes of data input. If more than 256 bytes of data are sent to the device, the addressing will wrap to the beginning of the page and overwrite previously sent data.
- Security Register Address:

| | | | |
|---------------------|--------------|-----------------|---------------------|
| Security Register 1 | A23-16 = 00h | A15-9 = 0001000 | A8-0 = byte address |
| Security Register 2 | A23-16 = 00h | A15-9 = 0010000 | A8-0 = byte address |
| Security Register 3 | A23-16 = 00h | A15-9 = 0011000 | A8-0 = byte address |

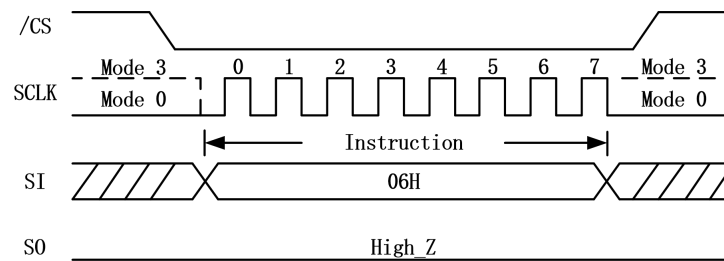
- The Status Register contents and Device ID will repeat continuously until /CS terminates the instruction.
- Write Status Register (01h) can also be used to write Status Register-1&2, see *section 7.1.6*.

7.1 Configuration and Status Instructions

7.1.1 Write Enable (06H)

The Write Enable instruction (*Figure 7.1.1*) sets the Write Enable Latch (WEL) bit in the Status Register to a 1. The WEL bit must be set prior to every Page Program, Dual Page Program, Quad Page Program, Page Erase, Sector Erase, Block Erase, Chip Erase, Write Status Register and Erase/Program Security Registers instruction. The Write Enable instruction is entered by driving /CS low, shifting the instruction code “06h” into the Data Input (SI) pin on the rising edge of SCLK, and then driving /CS high.

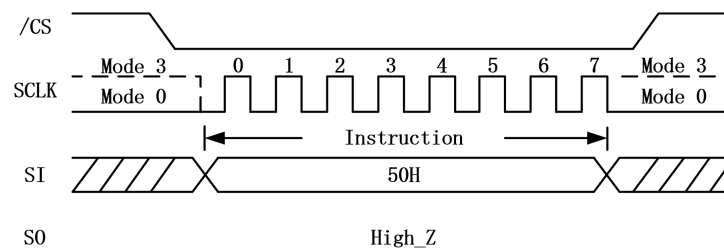
Figure 7.1.1. Write Enable Instruction for SPI Mode



7.1.2 Write Enable for Volatile Status Register (50h)

The non-volatile Status Register bits described in [section 5.4](#) can also be written to as volatile bits. This gives more flexibility to change the system configuration and memory protection schemes quickly without waiting for the typical non-volatile bit write cycles or affecting the endurance of the Status Register non-volatile bits. To write the volatile values into the Status Register bits, the Write Enable for Volatile Status Register (50h) instruction must be issued prior to a Write Status Register (01h) instruction. Write Enable for Volatile Status Register instruction ([Figure 7.1.2](#)) will not set the Write Enable Latch (WEL) bit, it is only valid for the Write Status Register instruction to change the volatile Status Register bit values.

Figure 7.1.2. Write Enable for Volatile Status Register Instruction for SPI Mode

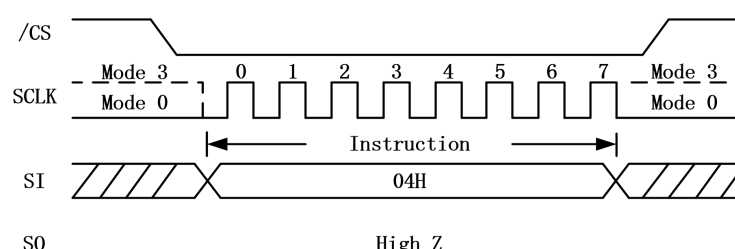


7.1.3 Write Disable (04h)

The Write Disable instruction ([Figure 7.1.3](#)) resets the Write Enable Latch (WEL) bit in the Status Register to 0. The Write Disable instruction is entered by driving /CS low, shifting the instruction code "04h" into the SI pin and then driving /CS high.

Note that the WEL bit is automatically reset after Power-up and upon completion of the Write Status Register, Erase/Program Security Registers, Page Program, Dual Page Program, Quad Page Program, Page Erase, Sector Erase, Block Erase, Chip Erase and Reset instructions.

Figure 7.1.3. Write Disable Instruction for SPI Mode

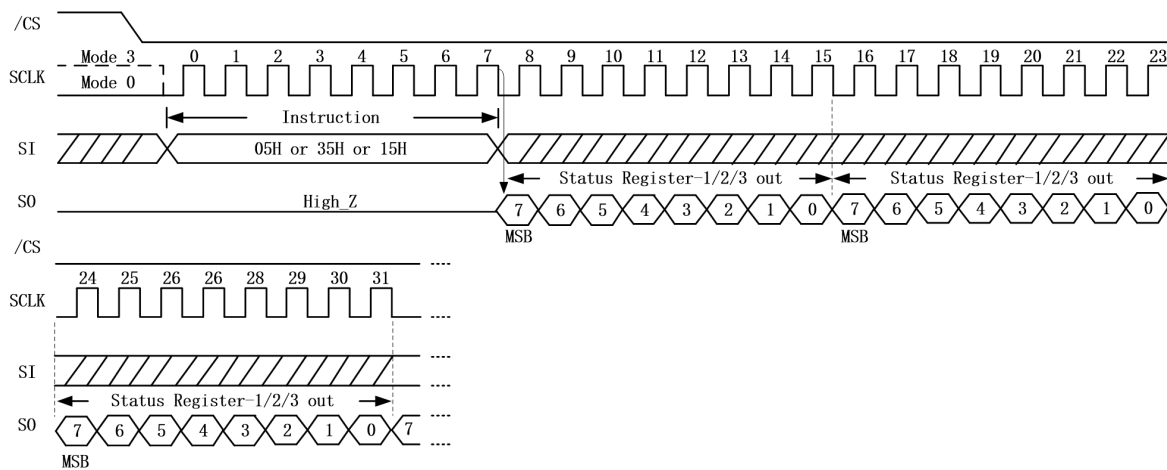


7.1.4 Read Status Register-1 (05h) , Status Register-2 (35h) , Status Register-3(15h)

The Read Status Register instructions allow the 8-bit Status Registers to be read. The instruction is entered by driving /CS low and shifting the instruction code “05h” for Status Register-1, “35h” for Status Register -2, “15h” for Status Register-3 into the SI pin on the rising edge of SCLK. The status register bits are then shifted out on the SO pin at the falling edge of SCLK with most significant bit (MSB) first as shown in Figure 7.1.4, Refer to [section 5.4](#) for Status Register descriptions.

The Read Status Register instruction may be used at any time, even while a Program, Erase or Write Status Register cycle is in progress. This allows the WIP status bit to be checked to determine when the cycle is complete and if the device can accept another instruction. The Status Register can be read continuously, as shown in Figure 7.1.4 The instruction is completed by driving /CS high.

Figure 7.1.4. Read Status Register Instruction



7.1.5 Active Status Interrupt (25h)

To simplify the readout of the WIP bit, the Active Status Interrupt Instruction (25h) may be used. It is then not necessary to continuously read the status register, it is sufficient to monitor the value of the SO line. If the SO line is connected to an interrupt line on the host controller, the host controller may be in sleep mode until the SO line indicates that the device is ready for the next Instruction

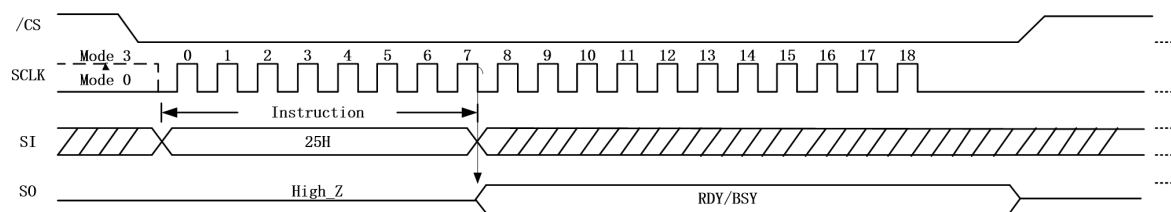
The WIP bit can be read at any time, including during an internally self-timed program or erase operation. To enable the Active Status Interrupt instruction, the /CS pin must first be asserted and the instruction code of 25h must be clocked into the device. The value of the SI line after the instruction code being clocked in is of no significance to the operation.

The value of WIP is then output on the SO line, and is continuously updated by the device for as long as the /CS pin remains asserted. Additional clocks on the SCK pin are not required. That is, whether the additional clock on the SCK pin exists is independent of the correct output of the value of WIP. (Figure 7.1.5 shows a case where additional clocks exist). If the WIP bit changes from 1 to 0 while the /CS pin is asserted, the SO line will change from 1 to 0. (The WIP bit cannot change from 0 to 1 during an operation, so if the SO line already is 0, it will not change.)

Deasserting the /CS pin will terminate the Active Status Interrupt operation and put the SO pin into a high-impedance state.

The sequence of issuing ASI instruction is: /CS goes low → sending ASI instruction code → WIP data out on SO

Figure 7.1.5. Active Status Interrupt Instruction



7.1.6 Write Status Register (01h or 31h or 11h)

The Write Status Register instruction allows the Status Registers to be written. The Status Register-1 can be written by the Write Status Register 01h instruction; The Status Register-2 be written by the Write Status Register 01h or 31h instruction; Status Register-3 can be written by the Write Status Register 11h instruction. When the Write Status Register instruction 01h is followed by 1 byte data, the data will be written to Status Register-1. When the Write Status Register instruction 01h is followed by 2 bytes of data, the first byte data will be written to Status Register-1, and the second byte data will be written to Status Register-2; And Write Status Register instruction 31h or 11h can only follow 1 byte data, the data will be written to Status Register-2、 Status Register-3 respectively. The writable Status Register bits include: SRP0, BP[4:0] in Status Register-1; CMP, LB[3:1], QE, SRP1 in Status Register- 2; DRV1, DRV0 in Status Register- 3. All other Status Register bit locations are read-only and will not be affected by the Write Status Register instruction. LB[3:1] are non-volatile OTP bits, once it is set to 1, it cannot be cleared to 0.

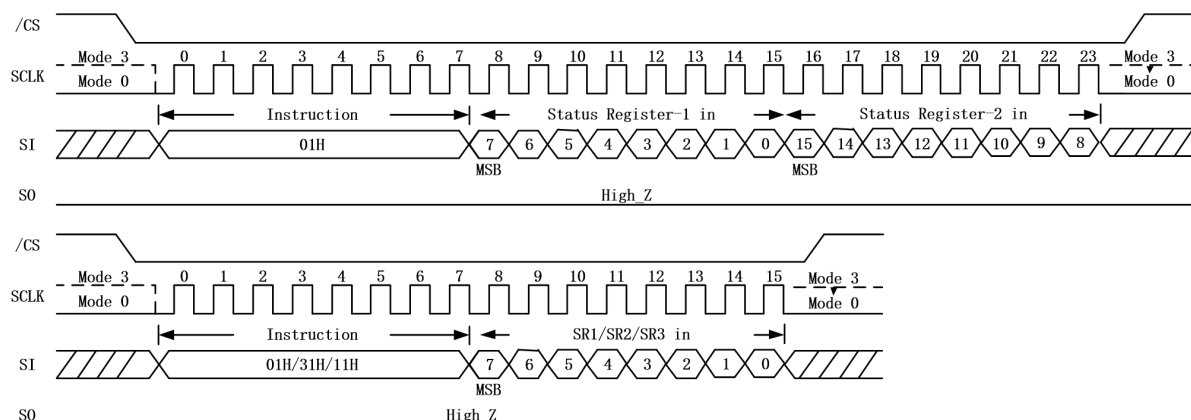
The Write Status Register (WRSR) instruction allows new values to be written to the Status Register. Before it can be accepted, a Write Enable (WREN) or Write Enable For Volatile SR instruction must previously have been executed After the Write Enable (WREN) instruction has been decoded and executed, the device sets the Write Enable Latch (WEL).

The Write Status Register instruction has no effect on S15 (SUS1), S10 (SUS2), S1 (WEL) and S0(WIP) of the Status Register. /CS must be driven high after the 8 or 16 bit of the data byte has been latched in. If not, the Write Status Register (WRSR) command is not executed. As soon as /CS is driven high, the self-timed Write Status Register cycle (whose duration is tW) is initiated. While the Write Status Register cycle is in progress, the Status Register may still be read to check the value of the Write In Progress (WIP) bit. The Write In Progress (WIP) bit is 1 during the self-timed Write Status Register cycle, and is 0 when it is completed. When the cycle is completed, the Write Enable Latch (WEL) is reset.

The Write Status Register instruction allows the user to change the values of the Block Protect (BP4, BP3, BP2, BP1, and BP0) bits, to define the size of the area that is to be treated as read-only, as defined in [Table4](#) and [Table5](#).The Write Status Register (WRSR) instruction also allows the user to set or reset the Status Register Protect (SRP1 and SRP0) bits in accordance with the Write Protect (/WP) signal. The Status Register Protect (SRP1 and SRP0) bits and Write Protect (/WP) signal allow the device to be put in the Hardware Protected Mode. The Write Status Register instruction is not executed once the Hardware Protected Mode is entered.

The sequence of issuing WRSR instruction is: /CS goes low→ sending WRSR instruction code→ Status Register data on SI→/CS goes high.

The /CS must go high exactly at the 8 bits or 16 bits data boundary; otherwise, the instruction will be rejected and not executed. The self-timed Write Status Register cycle time (tW) is initiated as soon as Chip Select (/CS) goes high. The Write in Progress (WIP) bit still can be checked during the Write Status Register cycle is in progress. The WIP is set 1 during the tW timing, and is set 0 when Write Status Register Cycle is completed, and the Write Enable Latch (WEL) bit is reset.

Figure 7.1.6. Write Status Register Instruction


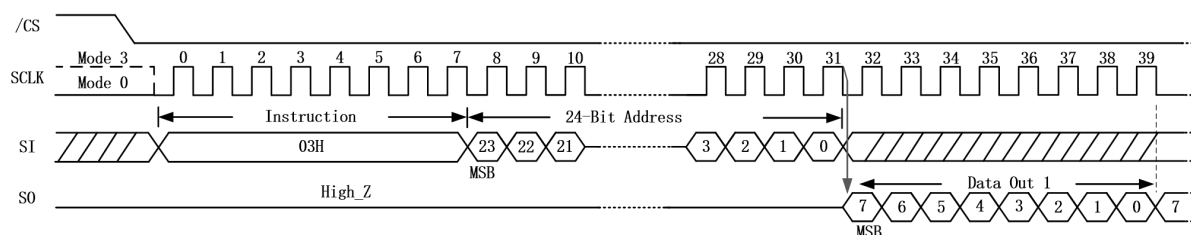
7.2 Read Instructions

7.2.1 Normal Read Data (03H)

The Read Data instruction allows one or more data bytes to be sequentially read from the memory. The instruction is initiated by driving the /CS pin low and then shifting the instruction code “03h” followed by a 24-bit address (A23-A0) into the SI pin. The code and address bits are latched on the rising edge of the SCLK pin. After the address is received, the data byte of the addressed memory location will be shifted out on the SO pin at the falling edge of SCLK with most significant bit (MSB) first. The address is automatically incremented to the next higher address after each byte of data is shifted out allowing for a continuous stream of data. This means that the entire memory can be accessed with a single instruction as long as the clock continues. The instruction is completed by driving /CS high.

The Read Data instruction sequence is shown in *Figure 7.2.1*. If a Read Data instruction is issued while an Erase, Program or other Write cycle is in progress (WIP=1) the instruction is ignored and will not have any effects on the current cycle. The Read Data instruction allows clock frequency up to a maximum of f_R (see *AC Electrical Characteristics*).

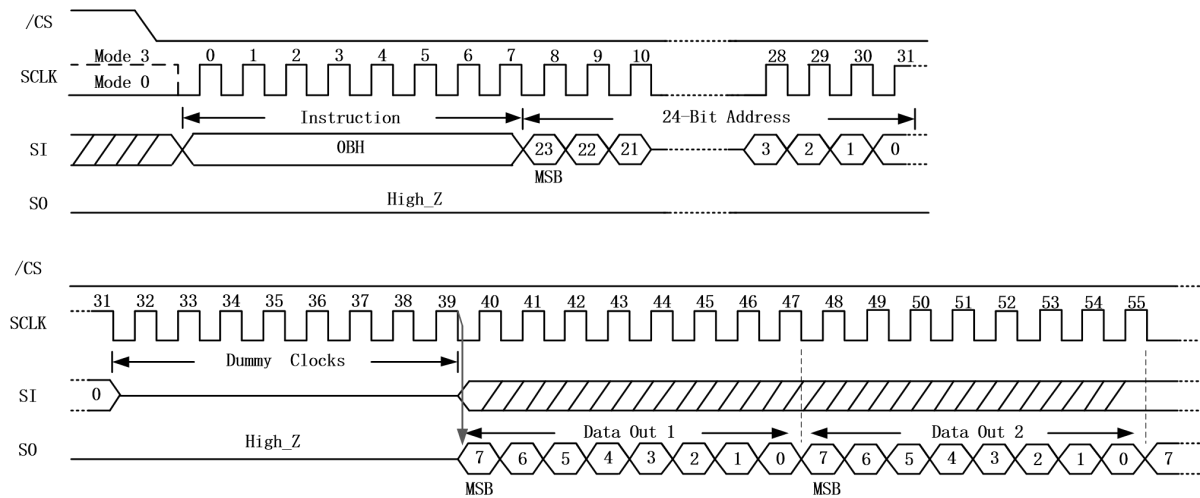
The Normal Read Data (03h) instruction is only supported in Standard SPI mode.

Figure 7.2.1. Read Data Instruction


7.2.2 Fast Read (0BH)

The Fast Read instruction is similar to the Read Data instruction except that it can operate at the highest possible frequency of fC (see [AC Electrical Characteristics](#)). In standard SPI mode, this is accomplished by adding eight “dummy” clocks after the 24-bit address as shown in [Figure 7.2.2](#). The dummy clocks allow the devices internal circuits additional time for setting up the initial address. During the dummy clocks the data value on the SO pin is a “don’t care”.

Figure 7.2.2. Fast Read Instruction

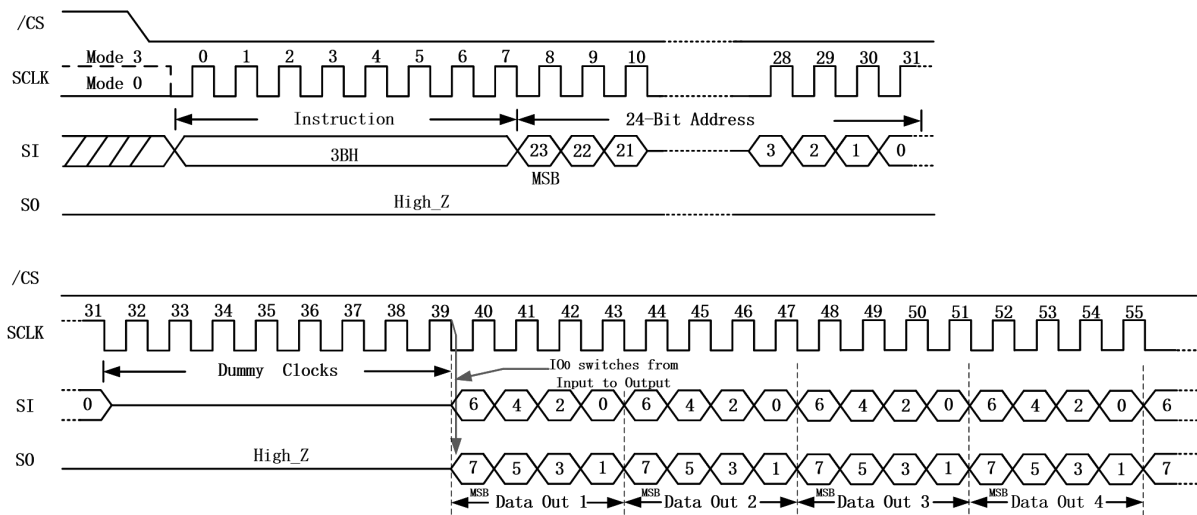


7.2.3 Fast Read Dual Output (3Bh)

The Fast Read Dual Output (3Bh) instruction is similar to the standard *Fast Read (0Bh)* instruction except that data is output on two pins; SI and SO. This allows data to be transferred at twice the rate of standard SPI devices. The Fast Read Dual Output instruction is ideal for quickly downloading code from Flash to RAM upon power-up or for applications that cache code-segments to RAM for execution.

Similar to the Fast Read instruction, the Fast Read Dual Output instruction can operate at the highest possible frequency of f_C (see *AC Electrical Characteristics*). This is accomplished by adding eight “dummy” clocks after the 24-bit address as shown in *Figure 7.2.3*. The dummy clocks allow the device's internal circuits additional time for setting up the initial address. The input data during the dummy clocks is “don't care”. However, the SI pin should be high-impedance prior to the falling edge of the first data out clock.

Figure 7.2.3. Fast Read Dual Output Instruction

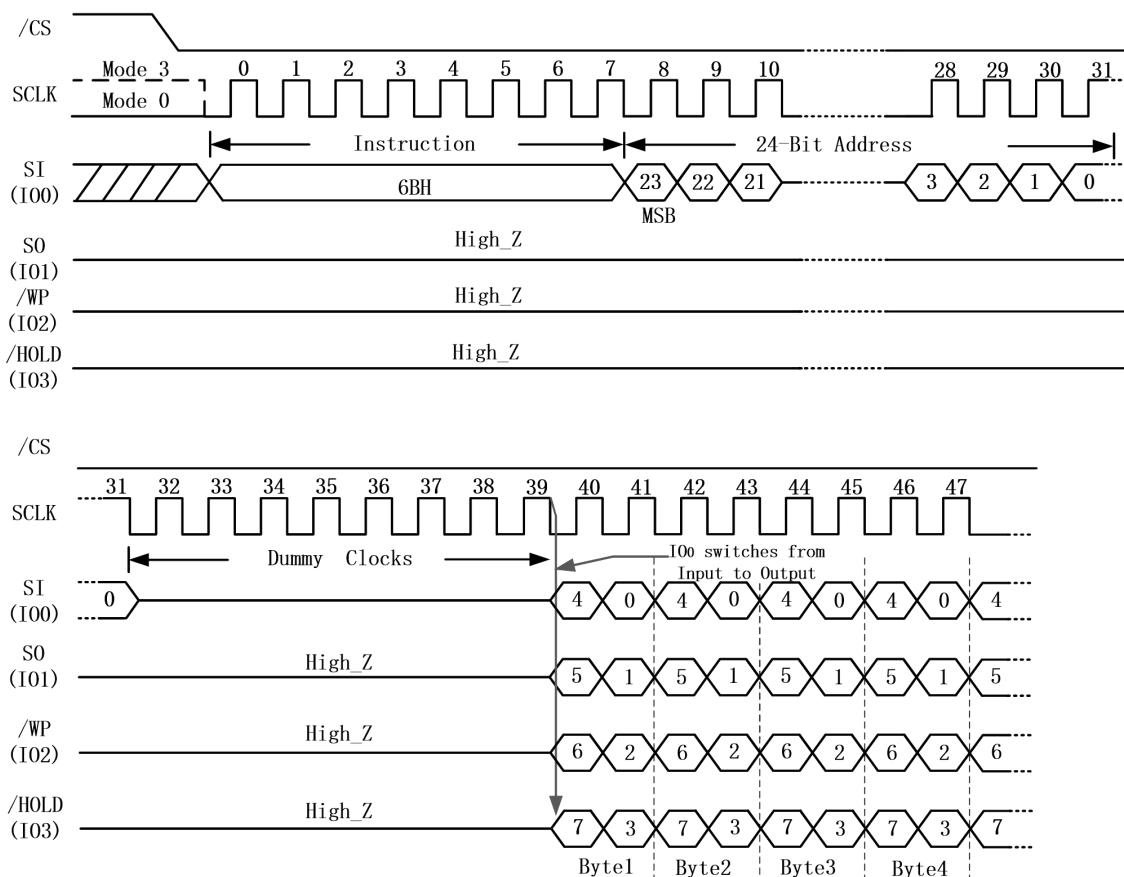


7.2.4 Fast Read Quad Output (6Bh)

The Fast Read Quad Output (6Bh) instruction is similar to the *Fast Read Dual Output (3Bh)* instruction except that data is output on two pins, SI, SO, /WP, and /HOLD. The Quad Enable (QE) bit in Status Register-2 must be set to 1 before the device will accept the Fast Read Quad Output Instruction. The Fast Read Quad Output Instruction allows data to be transferred at four times the rate of standard SPI devices.

The Fast Read Quad Output instruction can operate at the highest possible frequency of f_C (see *AC Electrical Characteristics*). This is accomplished by adding eight “dummy” clocks after the 24-bit address as shown in *Figure 7.2.4*. The dummy clocks allow the device's internal circuits additional time for setting up the initial address. The input data during the dummy clocks is “don't care”. However, the IO pins should be high-impedance prior to the falling edge of the first data out clock.

Figure 7.2.4. Fast Read Quad Output Instruction



7.2.5 Fast Read Dual I/O (BBh)

The Fast Read Dual I/O (BBh) instruction allows for improved random access while maintaining two IO pins, SI and SO. It is similar to the *Fast Read Dual Output (3Bh)* instruction but with the capability to input the Address bits (A23-0) two bits per clock. This reduced instruction overhead may allow for code execution (XIP) directly from the Dual SPI in some applications.

Fast Read Dual I/O with “Continuous Read Mode”

The Fast Read Dual I/O instruction can operate at the highest possible frequency of fC (see *AC Electrical Characteristics*). The Fast Read Dual I/O instruction can further reduce instruction overhead through setting the “Continuous Read Mode” bits (M7-0) after the input Address bits (A23-0), as shown in *Figure 7.2.5a*. The upper nibble of the (M7-4) controls the length of the next Fast Read Dual I/O instruction through the inclusion or exclusion of the first byte instruction code. The lower nibble bits of the (M3-0) are don't care (“x”). However, the IO pins should be high-impedance prior to the falling edge of the first data out clock.

If the “Continuous Read Mode” bits M5-4 = (1,0), then the next Fast Read Dual I/O instruction (after /CS is raised and then lowered) does not require the BBh instruction code, as shown in *Figure 7.2.5b*. This reduces the instruction sequence by eight clocks and allows the Read address to be immediately entered after /CS is asserted low. If the “Continuous Read Mode” bits M5-4 do not equal to (1,0), the next instruction (after /CS is raised and then lowered) requires the first byte instruction code, thus returning to normal operation. It is recommended to input FFh on SI for the next instruction (16 clocks), to ensure M4 = 1 and return the device to normal operation.

Figure 7.2.5a. Fast Read Dual I/O Instruction (Initial instruction or previous M5-4 ≠ 10)

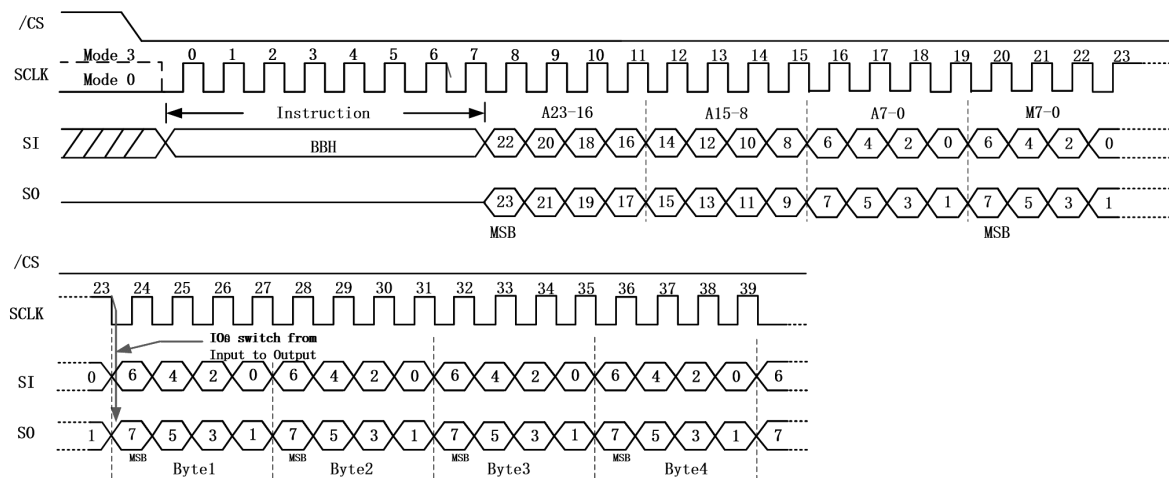
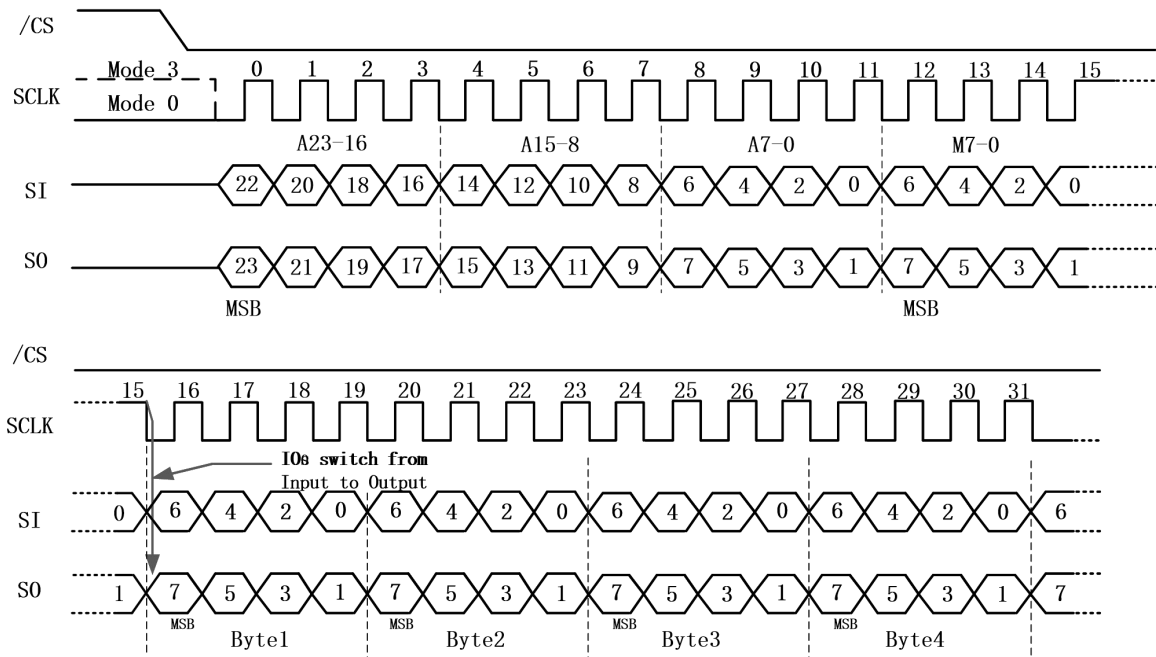


Figure 7.2.5b. Fast Read Dual I/O Instruction (Previous instruction set M5-4 = 10)


7.2.6 Fast Read Quad I/O (EBh)

The Fast Read Quad I/O (EBh) instruction is similar to the *Fast Read Dual I/O (BBh)* instruction except that address and data bits are input and output through two pins SI, SO, /WP and /HOLD and four Dummy clocks are required in SPI mode prior to the data output. The Quad I/O dramatically reduces instruction overhead allowing faster random access for code execution (XIP) directly from the Quad SPI. The Quad Enable bit (QE) of Status Register-2 must be set to enable the Fast Read Quad I/O Instruction.

Fast Read Quad I/O with “Continuous Read Mode”

The Fast Read Quad I/O instruction can operate at the highest possible frequency of fC (see *AC Electrical Characteristics*). The Fast Read Quad I/O instruction can further reduce instruction overhead through setting the “Continuous Read Mode” bits (M7-0) after the input Address bits (A23-0), as shown in *Figure 7.2.6a*. The upper nibble of the (M7-4) controls the length of the next Fast Read Quad I/O instruction through the inclusion or exclusion of the first byte instruction code. The lower nibble bits of the (M3-0) are don't care (“x”). However, the IO pins should be high-impedance prior to the falling edge of the first data out clock.

If the “Continuous Read Mode” bits M5-4 = (1,0), then the next Fast Read Quad I/O instruction (after /CS is raised and then lowered) does not require the EBh instruction code, as shown in *Figure 7.2.6b*. This reduces the instruction sequence by eight clocks and allows the Read address to be immediately entered after /CS is asserted low. If the “Continuous Read Mode” bits M5-4 do not equal to (1,0), the next instruction (after /CS is raised and then lowered) requires the first byte instruction code, thus returning to normal operation. It is recommended to input FFh on SI for the next instruction (8 clocks), to ensure M4 = 1 and return the device to normal operation.

Figure 7.2.6a. Fast Read Quad I/O Instruction (Initial instruction or previous M5-4 ≠ 10)

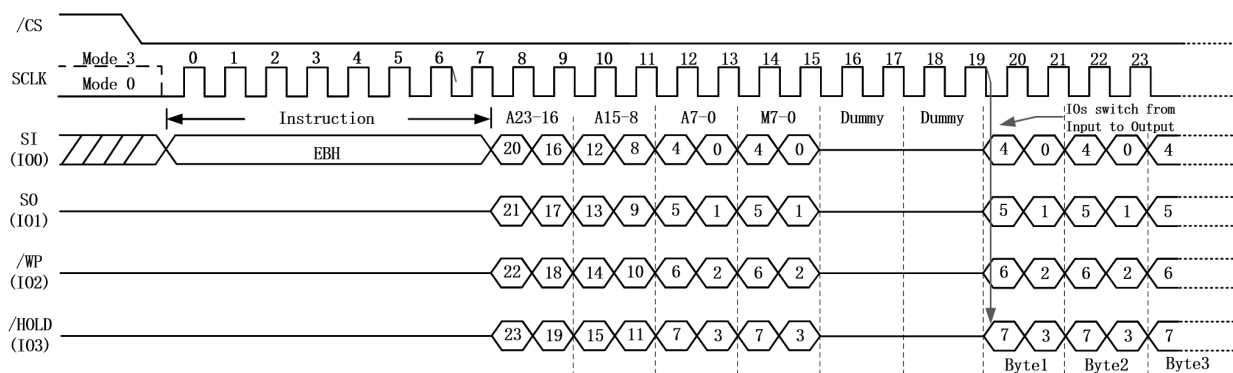
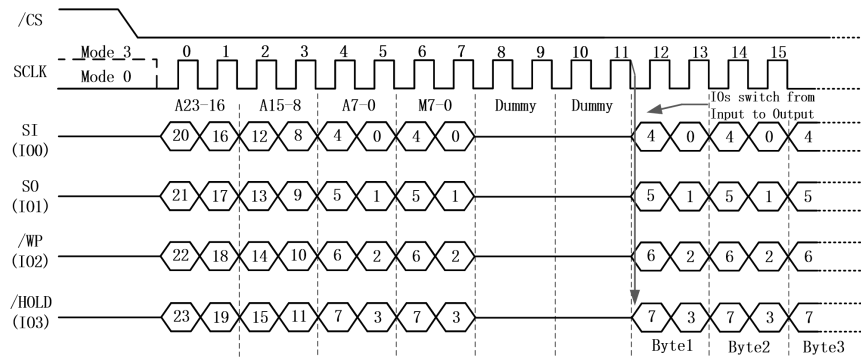


Figure 7.2.6b. Fast Read Quad I/O Instruction (Previous instruction set M5-4 = 10)


Fast Read Quad I/O with “8/16/32/64-Byte Wrap Around” in Standard SPI mode

The Fast Read Quad I/O instruction can also be used to access a specific portion within a page by issuing a “*Set Burst with Wrap*” (77h) instruction prior to EBh. The “Set Burst with Wrap” (77h) instruction can either enable or disable the “Wrap Around” feature for the following EBh instructions. When “Wrap Around” is enabled, the data being accessed can be limited to an 8, 16, 32 or 64-byte section of a 256-byte page. The output data starts at the initial address specified in the instruction, once it reaches the ending boundary of the 8/16/32/64- byte section, the output will wrap around to the beginning boundary automatically until /CS is pulled high to terminate the instruction.

The Burst with Wrap feature allows applications that use cache to quickly fetch a critical address and then fill the cache afterwards within a fixed length (8/16/32/64-byte) of data without issuing multiple read instructions.

The “Set Burst with Wrap” instruction allows three “Wrap Bits”, W6-4 to be set. The W4 bit is used to enable or disable the “Wrap Around” operation while W6-5 are used to specify the length of the wrap around section within a page. Refer to [section 7.2.7](#) for detail descriptions.

7.2.7 Set Burst with Wrap (77h)

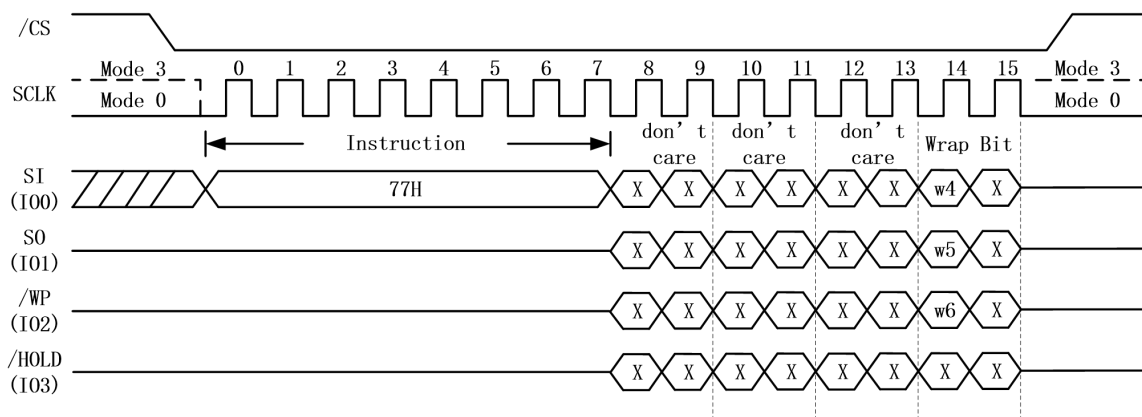
The Set Burst with Wrap (77h) instruction is used in conjunction with “Fast Read Quad I/O (EBh)”, “instructions to access a fixed length of 8/16/32/64-byte section within a 256-byte page. Certain applications can benefit from this feature and improve the overall system code execution performance.

Similar to a Quad I/O instruction, the Set Burst with Wrap instruction is initiated by driving the /CS pin low and then shifting the instruction code “77h” followed by 24 dummy bits and 8 “Wrap Bits”, W7-0. The instruction sequence is shown in *Figure 7.2.8*. Wrap bit W7 and the lower nibble W3-0 are not used.

| W6, W5 | W4 = 0 | | W4 = 1 (DEFAULT) | |
|--------|-------------|-------------|------------------|-------------|
| | Wrap Around | Wrap Length | Wrap Around | Wrap Length |
| 0 0 | Yes | 8-byte | No | N/A |
| 0 1 | Yes | 16-byte | No | N/A |
| 1 0 | Yes | 32-byte | No | N/A |
| 1 1 | Yes | 64-byte | No | N/A |

Once W6-4 is set by a Set Burst with Wrap instruction, all the following “Fast Read Quad I/O (EBh)”, instructions will use the W6-4 setting to access the 8/16/32/64-byte section within any page. To exit the “Wrap Around” function and return to normal read operation, another Set Burst with Wrap instruction should be issued to set W4 = 1. The default value of W4 upon power on or after a software reset is 1.

Figure 7.2.8. Set Burst with Wrap Instruction



7.3 ID and Power Instructions

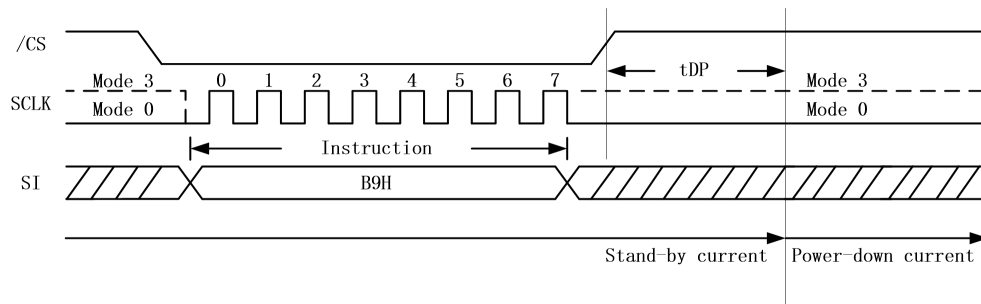
7.3.1 Deep Power-down (B9h)

Although the standby current during normal operation is relatively low, standby current can be further reduced with the Power-down instruction. The lower power consumption makes the Power-down instruction especially useful for battery powered applications (See ICC1 and ICC2 in [DC Characteristics](#).) The instruction is initiated by driving the /CS pin low and shifting the instruction code “B9h” as shown in [Figure 7.3.1](#)

The /CS pin must be driven high after the eighth bit has been latched. If this is not done the Power-down instruction will not be executed. After /CS is driven high, the power-down state will be entered within the time duration of tDP (See [AC Characteristics](#)). While in the power-down state only the [Release Power-down / Device ID \(ABh\)](#) instruction, which restores the device to normal operation, will be recognized. All other instructions are ignored. This includes the Read Status Register instruction, which is always available during normal operation. Ignoring all but one instruction makes the Power Down state a useful condition for securing maximum write protection.

The device always powers-up in the normal operation with the standby current of ICC1

Figure 7.3.1. Deep Power-down Instruction



7.3.2 Release Power-down / Device ID (ABh)

The Release from Power-down / Device ID instruction is a multi-purpose instruction. It can be used to release the device from the power-down state, or obtain the devices electronic identification (ID) number.

To release the device from the power-down state, the instruction is issued by driving the /CS pin low, shifting the instruction code “ABh” and driving /CS high as shown in [Figure 7.3.2a](#). Release from power-down will take the time duration of tRES1 (See [AC Characteristics](#)) before the device will resume normal operation and other instructions are accepted. The /CS pin must remain high during the tRES1 time duration.

When used only to obtain the Device ID while not in the power-down state, the instruction is initiated by driving the /CS pin low and shifting the instruction code “ABh” followed by 3-dummy bytes. The Device ID bits are then shifted out on the falling edge of SCLK with most significant bit (MSB) first. The Device ID value for the BY25Q05AW is listed in [Manufacturer and Device Identification table](#). The Device ID can be read continuously. The instruction is completed by driving /CS high.

When used to release the device from the power-down state and obtain the Device ID, the instruction is the same as previously described, and shown in [Figure 7.3.2b](#), except that after /CS is driven high it must remain high for a time duration of tRES2 (See [AC Characteristics](#)). After this time duration the device will resume normal operation and other instructions will be accepted. If the Release from Power-down / Device ID instruction is issued while an Erase, Program or Write cycle is in process (when WIP equals 1) the instruction is ignored and will not have any effects on the current cycle.

Figure 7.3.2a. Release Power-down Instruction

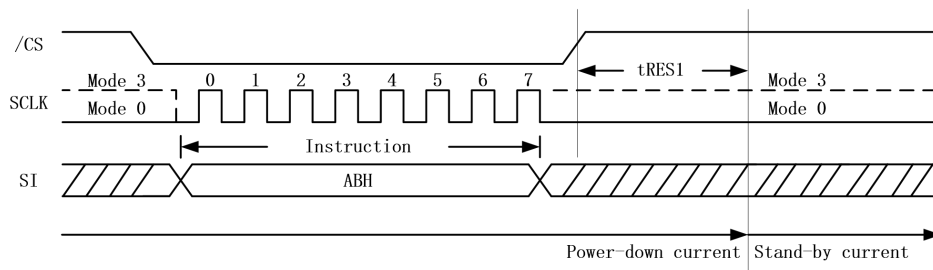
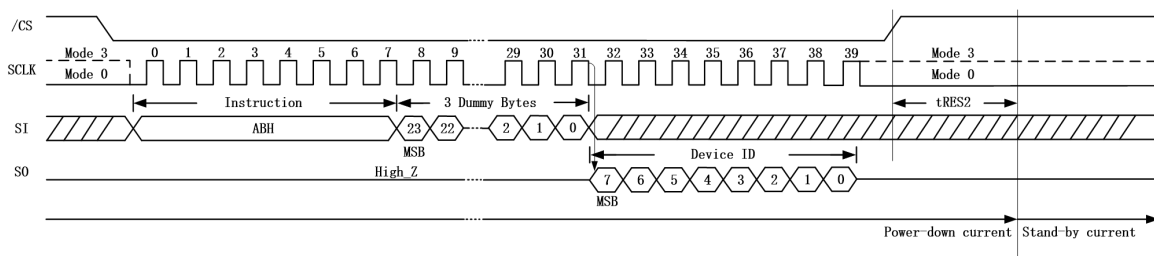


Figure 7.3.2b. Release Power-down / Device ID Instruction

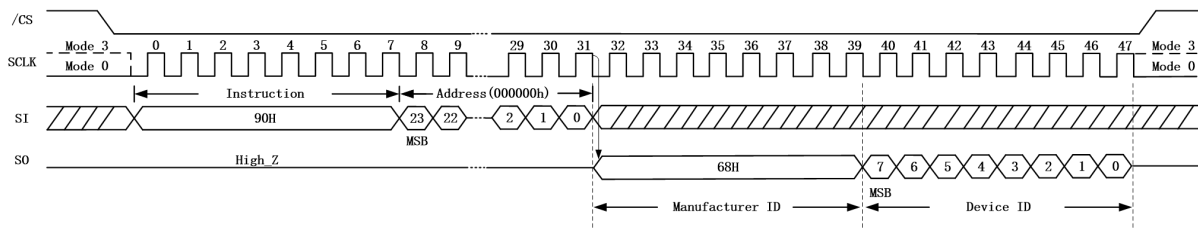


7.3.3 Read Manufacturer / Device ID (90h)

The Read Manufacturer/Device ID instruction is an alternative to the *Release from Power-down / Device ID* instruction that provides both the JEDEC assigned manufacturer ID and the specific device ID.

The Read Manufacturer / Device ID instruction can operate at the highest possible frequency of f_C (see *AC Electrical Characteristics*). The instruction is initiated by driving the /CS pin low and shifting the instruction code “90h” followed by a 24-bit address (A23-A0). After which, the Manufacturer ID for BY Technology (68h) and the Device ID are shifted out on the falling edge of SCLK with most significant bit (MSB) first as shown in *Figure 7.3.3*. The Device ID values for the BY25Q05AW are listed in *Manufacturer and Device Identification table*. The address A23-A1 is an unrelated item and has no effect on the result of the instruction. At the same time, if the A0 is initially set to 1 the Device ID will be read first and then followed by the Manufacturer ID. If the A0 is initially set to 0 the Manufacturer ID will be read first and then followed by the Device ID. The Manufacturer and Device IDs can be read continuously, alternating from one to the other. The instruction is completed by driving /CS high.

Figure 7.3.3. Read Manufacturer / Device ID Instruction

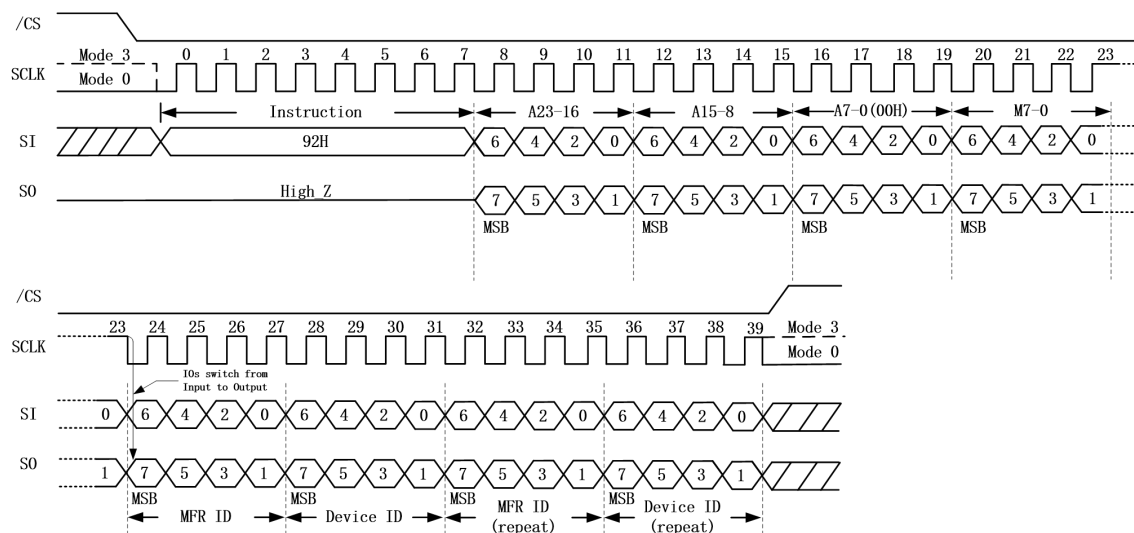


7.3.4 Read Manufacturer / Device ID Dual I/O (92h)

The Read Manufacturer / Device ID Dual I/O instruction is an alternative to the *Read Manufacturer / Device ID* instruction that provides both the JEDEC assigned manufacturer ID and the specific device ID at 2x speed.

The Read Manufacturer / Device ID Dual I/O instruction can operate at the highest possible frequency of f_C (see *AC Electrical Characteristics*). The instruction is initiated by driving the /CS pin low and shifting the instruction code “92h” followed by a 24-bit address (A23-A0) and four clock dummy cycles, but with the capability to input the Address bits two bits per clock. After which, the Manufacturer ID for BY Technology (68h) and the Device ID are shifted out 2 bits per clock on the falling edge of SCLK with most significant bits (MSB) first as shown in *Figure 7.3.4*. The Device ID values for the BY25Q05AW are listed in *Manufacturer and Device Identification table*. The address A23-A1 and M7-M0 is an unrelated item and has no effect on the result of the instruction. At the same time, if the A0 is initially set to 1 the Device ID will be read first and then followed by the Manufacturer ID. If the A0 is initially set to 0 the Manufacturer ID will be read first and then followed by the Device ID. The Manufacturer and Device IDs can be read continuously, alternating from one to the other. The instruction is completed by driving /CS high.

Figure 7.3.4. Read Manufacturer / Device ID Dual I/O Instruction

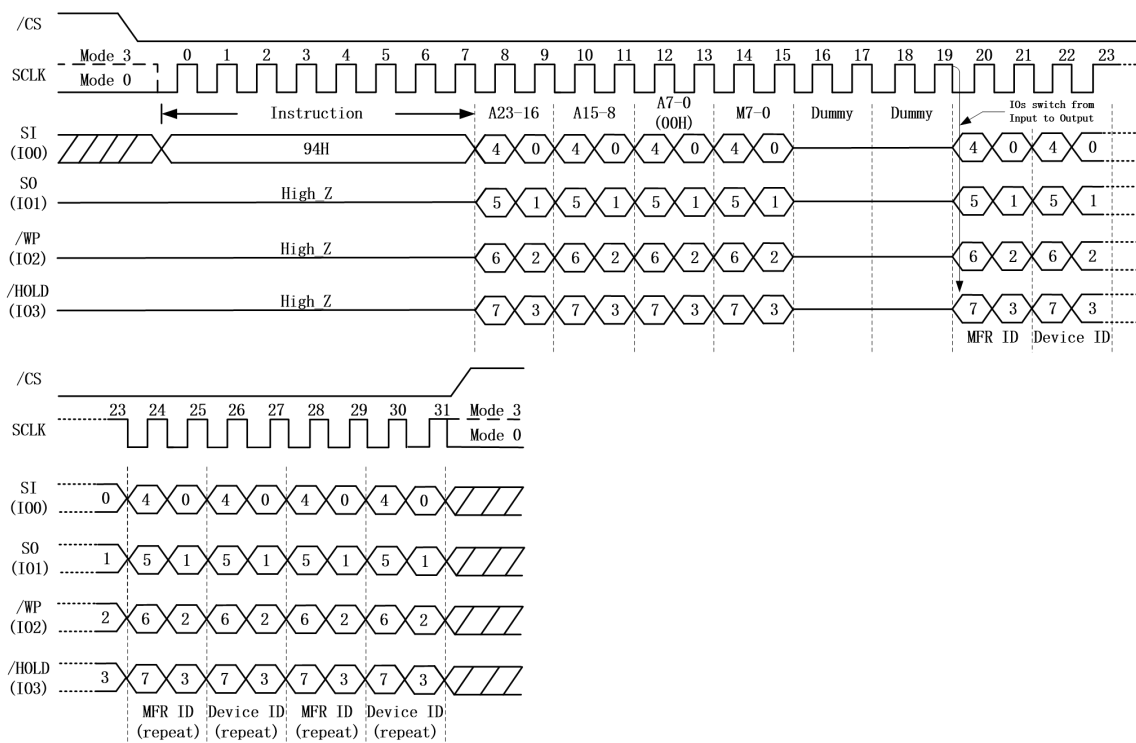


7.3.5 Read Manufacturer / Device ID Quad I/O (94h)

The Read Manufacturer / Device ID Quad I/O instruction is an alternative to the [Read Manufacturer / Device ID](#) instruction that provides both the JEDEC assigned manufacturer ID and the specific device ID at 4x speed.

The Read Manufacturer / Device ID Quad I/O instruction can operate at the highest possible frequency of f_C (see *AC Electrical Characteristics*). The instruction is initiated by driving the /CS pin low and shifting the instruction code “94h” followed by a 24-bit address (A23-A0) and six clock dummy cycles, but with the capability to input the Address bits four bits per clock. After which, the Manufacturer ID for BY Technology (68h) and the Device ID are shifted out four bits per clock on the falling edge of SCLK with most significant bit (MSB) first as shown in *Figure 7.3.5*. The Device ID values for the BY25Q05AW are listed in *Manufacturer and Device Identification table*. The address A23-A1 and M7-M0 is an unrelated item and has no effect on the result of the instruction. At the same time, if the A0 is initially set to 1 the Device ID will be read first and then followed by the Manufacturer ID. If the A0 is initially set to 0 the Manufacturer ID will be read first and then followed by the Device ID. The Manufacturer and Device IDs can be read continuously, alternating from one to the other. The instruction is completed by driving /CS high.

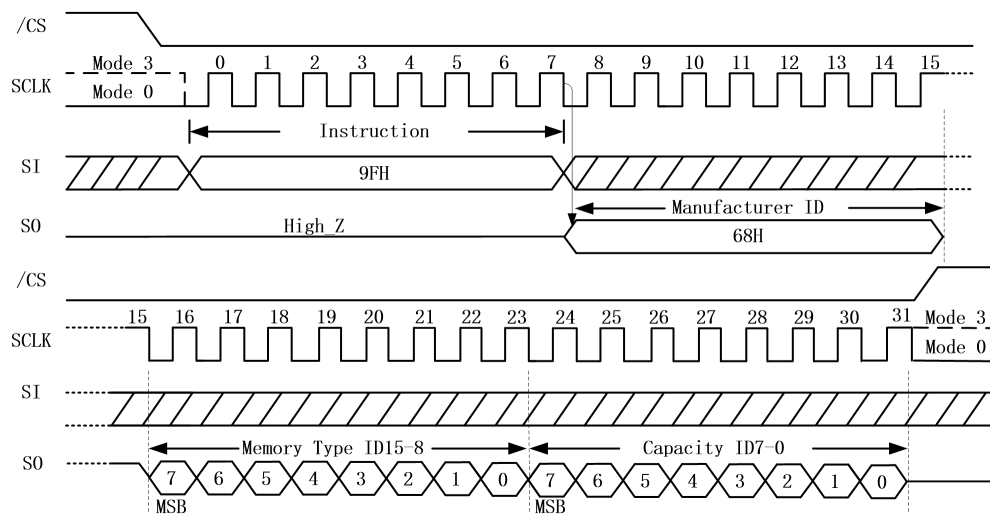
Figure 7.3.5. Read Manufacturer / Device ID Quad I/O Instruction



7.3.6 Read JEDEC ID (9Fh)

The Read JEDEC ID instruction can operate at the highest possible frequency of fC (see *AC Electrical Characteristics*). For compatibility reasons, the BY25Q05AW provides several instructions to electronically determine the identity of the device. The Read JEDEC ID instruction is compatible with the JEDEC standard for SPI compatible serial memories that was adopted in 2003. The instruction is initiated by driving the /CS pin low and shifting the instruction code “9Fh”. The JEDEC assigned Manufacturer ID byte for BY Technology (68h) and two Device ID bytes, Memory Type (ID15-ID8) and Capacity (ID7-ID0) are then shifted out on the falling edge of SCLK with most significant bit (MSB) first as shown in [Figure 7.3.6](#). For memory type and capacity values refer to [Manufacturer and Device Identification table](#).

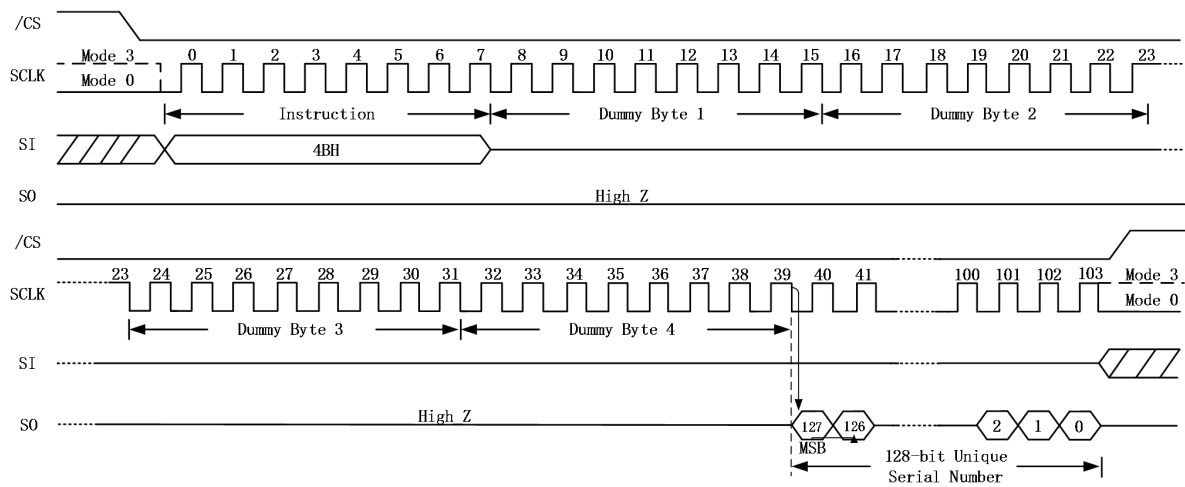
Figure 7.3.6. Read JEDEC ID Instruction



7.3.7 Read Unique ID Number (4Bh)

The Read Unique ID Number instruction can operate at the highest possible frequency of fC (see *AC Electrical Characteristics*). The Read Unique ID Number instruction accesses a factory-set read-only 128-bit number that is unique to each BY25Q05AW device. The ID number can be used in conjunction with user software methods to help prevent copying or cloning of a system. The Read Unique ID instruction is initiated by driving the /CS pin low and shifting the instruction code “4Bh” followed by a four bytes of dummy clocks. After which, the 128-bit ID is shifted out on the falling edge of SCLK as shown in [Figure 7.3.7](#).

Figure 7.3.7. Read Unique ID Sequence Diagram



7.4 Program / Erase and Security Instructions

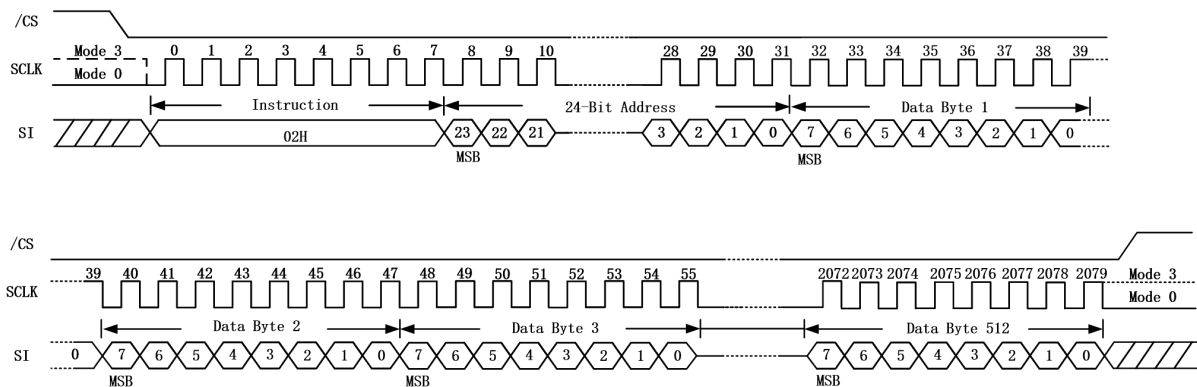
7.4.1 Page Program (02h)

The Page Program instruction allows from one byte to 256 bytes (a page) of data to be programmed at previously erased (FFh) memory locations. A Write Enable instruction must be executed before the device will accept the Page Program Instruction (Status Register bit WEL= 1). The instruction is initiated by driving the /CS pin low then shifting the instruction code “02h” followed by a 24-bit address (A23-A0) and at least one data byte, into the SI pin. The /CS pin must be held low for the entire length of the instruction while data is being sent to the device. The Page Program instruction sequence is shown in [Figure 7.4.1](#).

If more than 256 bytes are sent to the device, previously latched data are discarded and the last 256 data bytes are guaranteed to be programmed correctly within the same page. If less than 256 data bytes are sent to device, they are correctly programmed at the requested addresses without having any effects on the other bytes of the same page. /CS must be driven high after the eighth bit of the last data byte has been latched in; otherwise the Page Program instruction is not executed.

As with the write and erase instructions, the /CS pin must be driven high after the eighth bit of the last byte has been latched. If this is not done the Page Program instruction will not be executed. After /CS is driven high, the self-timed Page Program instruction will commence for a time duration of tPP (See [AC Characteristics](#)). While the Page Program cycle is in progress, the Read Status Register instruction may still be accessed for checking the status of the WIP bit. The WIP bit is a 1 during the Page Program cycle and becomes a 0 when the cycle is finished and the device is ready to accept other instructions again. After the Page Program cycle has finished the Write Enable Latch (WEL) bit in the Status Register is cleared to 0. The Page Program instruction will not be executed if the addressed page is protected by the Block Protect (BP4, BP3, BP2, BP1, and BP0) bits

Figure 7.4.1. Page Program Instruction

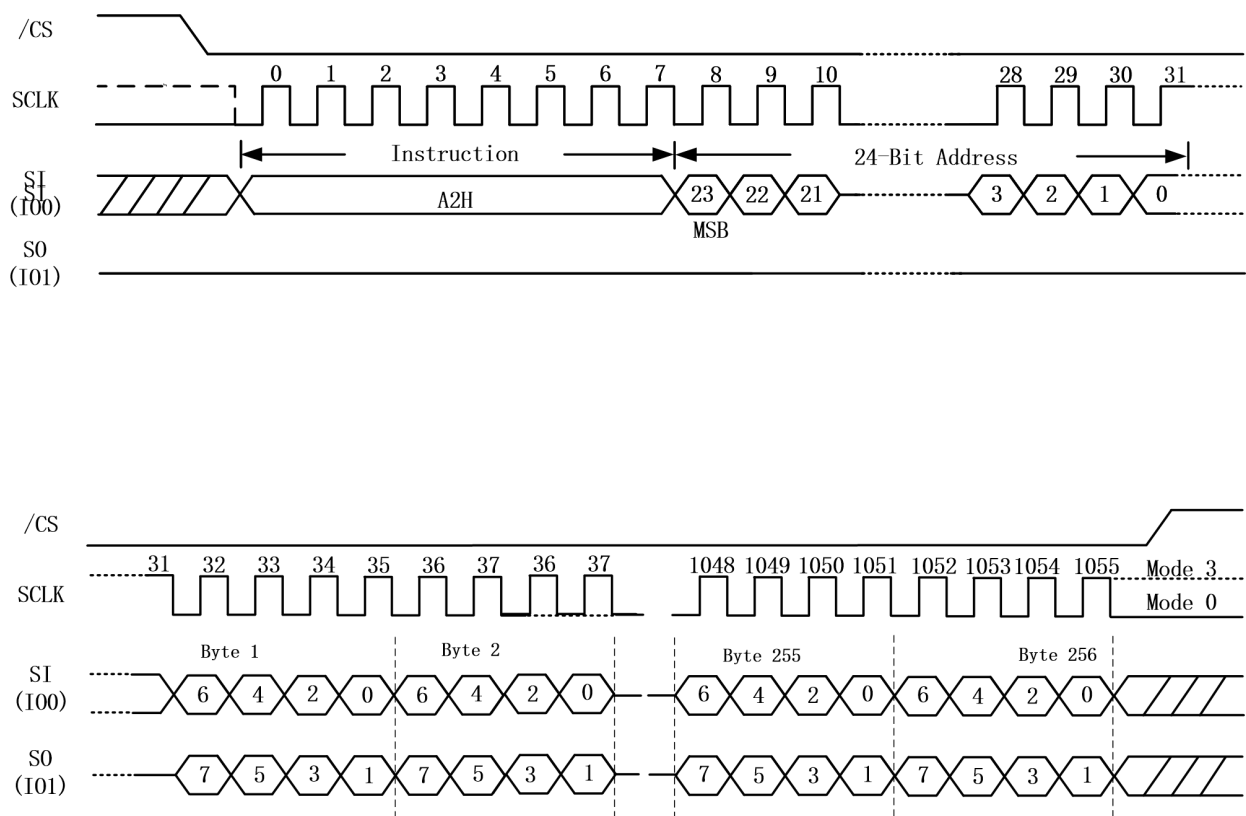


7.4.2 Dual Page Program (A2h)

The Dual Page Program instruction allows up to 256 bytes of data to be programmed at previously erased (FFh) memory locations using two pins: SI, SO. The Dual Page Program can improve performance for PROM Programmer and applications that have slow clock speeds <5MHz. Systems with faster clock speed will not realize much benefit for the Dual Page Program instruction since the inherent page program time is much longer than the time it take to clock-in the data.

A Write Enable instruction must be executed before the device will accept the Dual Page Program instruction (Status Register-1, WEL=1). The instruction is initiated by driving the /CS pin low then shifting the instruction code "A2h" followed by a 24-bit address (A23-A0) and at least one data byte, into the IO pins. The /CS pin must be held low for the entire length of the instruction while data is being sent to the device. All other functions of Dual input Page Program are identical to standard Page Program. The Dual Page Program instruction sequence is shown in [Figure 7.4.2](#).

Figure 7.4.2. Dual Page Program Instruction

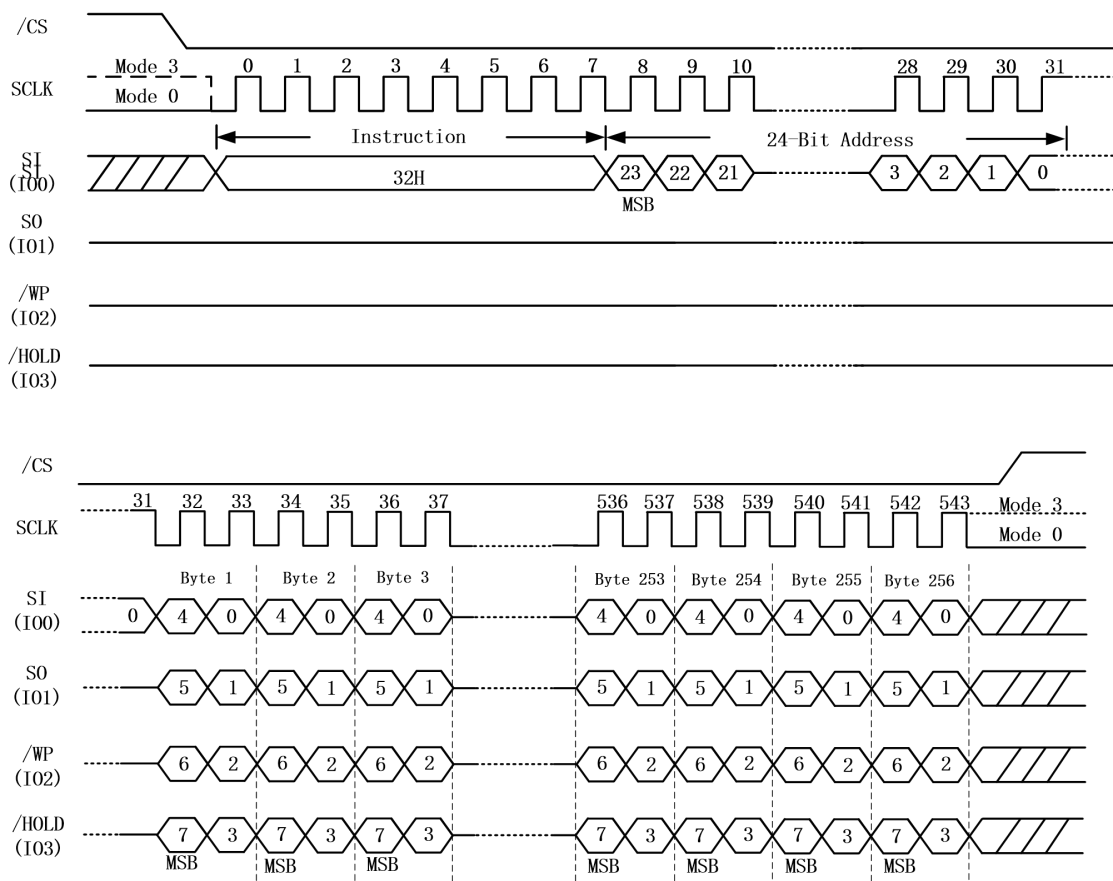


7.4.3 Quad Page Program (32h)

The Quad Page Program instruction allows up to 256 bytes of data to be programmed at previously erased (FFh) memory locations using two pins: SI, SO, /WP, and /HOLD. The Quad Page Program can improve performance for PROM Programmer and applications that have slow clock speeds <5MHz. Systems with faster clock speed will not realize much benefit for the Quad Page Program instruction since the inherent page program time is much longer than the time it take to clock-in the data.

To use Quad Page Program the Quad Enable (QE) bit in Status Register-2 must be set to 1. A Write Enable instruction must be executed before the device will accept the Quad Page Program instruction (Status Register-1, WEL=1). The instruction is initiated by driving the /CS pin low then shifting the instruction code "32h" followed by a 24-bit address (A23-A0) and at least one data byte, into the IO pins. The /CS pin must be held low for the entire length of the instruction while data is being sent to the device. All other functions of Quad Page Program are identical to standard Page Program. The Quad Page Program instruction sequence is shown in [Figure 7.4.3](#).

Figure 7.4.3. Quad Input Page Program Instruction



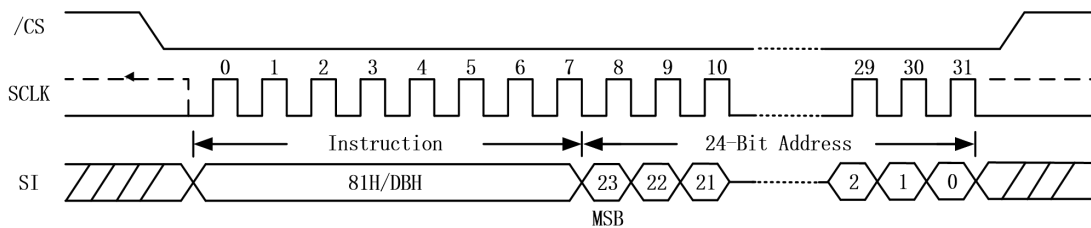
7.4.4 Page Erase (81h/DBh)

The Page Erase (PE) instruction is for erasing the data of the chosen Page to be "1". A Write Enable (WREN) instruction must execute to set the Write Enable Latch (WEL) bit before sending the Page Erase (PE).

To perform a Page Erase with the standard page size (256 bytes), an instruction code of 81h or DBh must be clocked into the device followed by three address bytes comprised of 2 page address bytes that specify the page in the main memory to be erased. And A7-A0 is an unrelated item.

The sequence of issuing PE instruction is: /CS goes low → sending PE instruction code → 3-byte address on SI → /CS goes high.

Figure 7.4.4. Page Erase Instruction

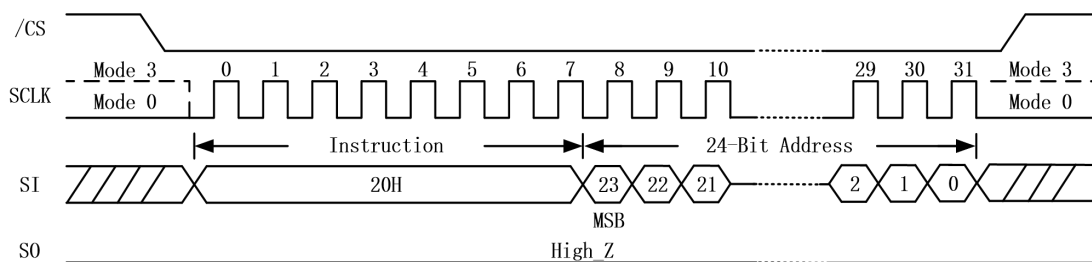


7.4.5 Sector Erase (20h)

The Sector Erase instruction sets all memory within a specified sector (4K-bytes) to the erased state of all 1s (FFh). A *Write Enable* instruction must be executed before the device will accept the Sector Erase Instruction (Status Register bit WEL must equal 1). The instruction is initiated by driving the /CS pin low and shifting the instruction code “20h” followed a 24-bit sector address. And the address A11-A0 is an unrelated item and has no effect on the result of the instruction. The Sector Erase instruction sequence is shown in *Figure 7.4.5*.

The /CS pin must be driven high after the eighth bit of the last byte has been latched. If this is not done the Sector Erase instruction will not be executed. After /CS is driven high, the self-timed Sector Erase instruction will commence for a time duration of tSE (See *AC Characteristics*). While the Sector Erase cycle is in progress, the Read Status Register instruction may still be accessed for checking the status of the WIP bit. The WIP bit is a 1 during the Sector Erase cycle and becomes a 0 when the cycle is finished and the device is ready to accept other instructions again. After the Sector Erase cycle has finished the Write Enable Latch (WEL) bit in the Status Register is cleared to 0. The Sector Erase instruction will not be executed if the addressed page is protected by the Block Protect (BP4, BP3, BP2, BP1, and BP0) bits.

Figure 7.4.5. Sector Erase Instruction

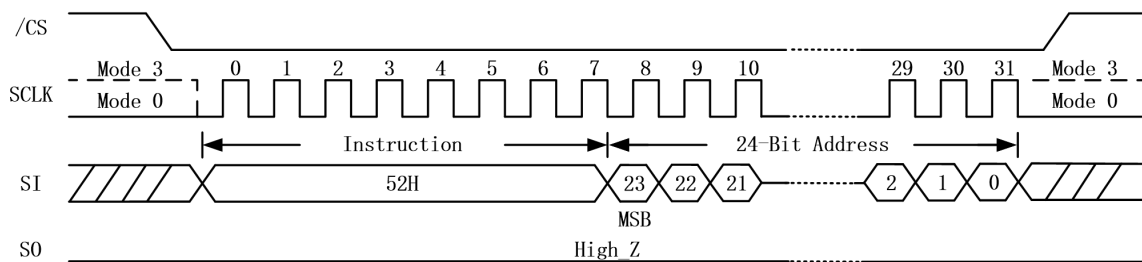


7.4.6 32KB Block Erase (52h)

The 32KB Block Erase instruction sets all memory within a specified block (32K-bytes) to the erased state of all 1s (FFh). A *Write Enable* instruction must be executed before the device will accept the 32KB Block Erase Instruction (Status Register bit WEL must equal 1). The instruction is initiated by driving the /CS pin low and shifting the instruction code “52h” followed a 24-bit block address (A23-A0). And the address A14-A0 is an unrelated item and has no effect on the result of the instruction. The Block Erase instruction sequence is shown in *Figure 7.4.6*.

The /CS pin must be driven high after the eighth bit of the last byte has been latched. If this is not done the 32KB Block Erase instruction will not be executed. After /CS is driven high, the self-timed 32KB Block Erase instruction will commence for a time duration of tBE1 (See *AC Characteristics*). While the 32KB Block Erase cycle is in progress, the Read Status Register instruction may still be accessed for checking the status of the WIP bit. The WIP bit is a 1 during the 32KB Block Erase cycle and becomes a 0 when the cycle is finished and the device is ready to accept other instructions again. After the 32KB Block Erase cycle has finished the Write Enable Latch (WEL) bit in the Status Register is cleared to 0. The 32KB Block Erase instruction will not be executed if the addressed page is protected by the Block Protect (BP4, BP3, BP2, BP1, and BP0) bits.

Figure 7.4.6. 32KB Block Erase Instruction

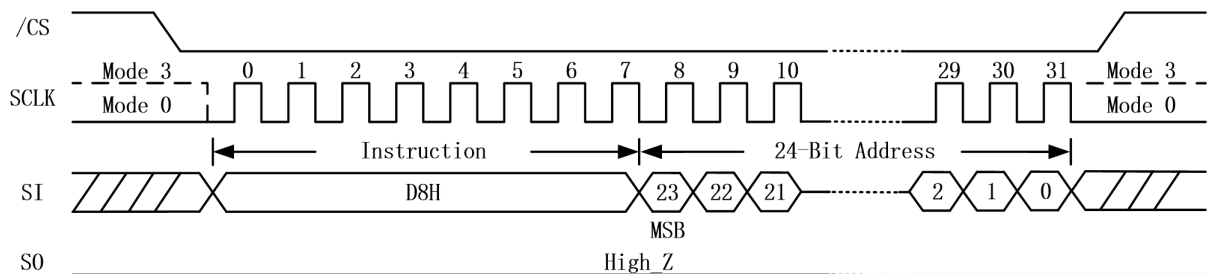


7.4.7 64KB Block Erase (D8h)

The 64KB Block Erase instruction sets all memory within a specified block (64K-bytes) to the erased state of all 1s (FFh). A *Write Enable* instruction must be executed before the device will accept the 64KB Block Erase Instruction (Status Register bit WEL must equal 1). The instruction is initiated by driving the /CS pin low and shifting the instruction code “D8h” followed a 24-bit block address (A23-A0). And the address A15-A0 is an unrelated item and has no effect on the result of the instruction. The 64KB Block Erase instruction sequence is shown in *Figure 7.4.7*.

The /CS pin must be driven high after the eighth bit of the last byte has been latched. If this is not done the 64KB Block Erase instruction will not be executed. After /CS is driven high, the self-timed 64KB Block Erase instruction will commence for a time duration of tBE2 (See *AC Characteristics*). While the 64KB Block Erase cycle is in progress, the Read Status Register instruction may still be accessed for checking the status of the WIP bit. The WIP bit is a 1 during the 64KB Block Erase cycle and becomes a 0 when the cycle is finished and the device is ready to accept other instructions again. After the 64KB Block Erase cycle has finished the Write Enable Latch (WEL) bit in the Status Register is cleared to 0. The 64KB Block Erase instruction will not be executed if the addressed page is protected by the Block Protect (BP4, BP3, BP2, BP1, and BP0) bits.

Figure 7.4.7. 64KB Block Erase Instruction

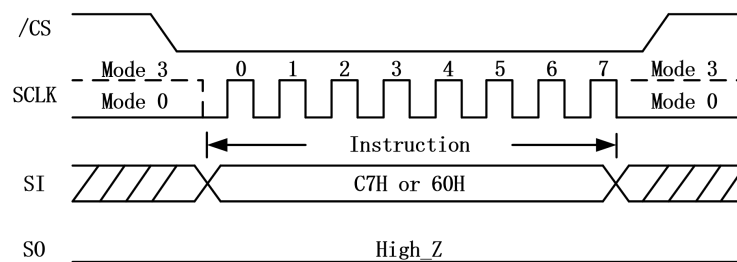


7.4.8 Chip Erase (C7h / 60h)

The Chip Erase instruction sets all memory within the device to the erased state of all 1s (FFh). A *Write Enable* instruction must be executed before the device will accept the Chip Erase Instruction (Status Register bit WEL must equal 1). The instruction is initiated by driving the /CS pin low and shifting the instruction code “C7h” or “60h”. The Chip Erase instruction sequence is shown in Figure 7.4.8.

The /CS pin must be driven high after the eighth bit has been latched. If this is not done the Chip Erase instruction will not be executed. After /CS is driven high, the self-timed Chip Erase instruction will commence for a time duration of tCE (See *AC Characteristics*). While the Chip Erase cycle is in progress, the Read Status Register instruction may still be accessed to check the status of the WIP bit. The WIP bit is a 1 during the Chip Erase cycle and becomes a 0 when finished and the device is ready to accept other instructions again. After the Chip Erase cycle has finished the Write Enable Latch (WEL) bit in the Status Register is cleared to 0. The Chip Erase instruction will not be executed if any memory region is protected by the Block Protect (BP4, BP3, BP2, BP1, and BP0) bits.

Figure 7.4.8. Chip Erase Instruction for SPI Mode



7.4.9 Program/Erase Suspend (75h)

The Program/Erase Suspend instruction “75h”, allows the system to interrupt a Page Program or a Page/Sector/32K/64K Block Erase operation and then read data from any other sector or block. After the program or erase operation has entered the suspended state, the memory array can be read except for the page being programmed or the page/sector/block being erased. And after the erase operation has entered the suspended state, the memory array can be programmed except for the page/sector/block being erased. Write status register operation can't be suspended. Erase/Program security registers operation can't be suspended. The Program/Erase Suspend instruction sequence is shown in [Figure 7.4.9](#).

Readable Area of Memory While a Program or Erase Operation is Suspended

| Suspended operation | Readable Region Of Memory Array |
|---------------------|-------------------------------------|
| Page Program | All but the Page being programmed |
| Dual Page Program | All but the Page being programmed |
| Quad Page Program | All but the Page being programmed |
| Page Erase | All but the Page being Erased |
| Sector Erase(4KB) | All but the 4KB Sector being Erased |
| Block Erase(32KB) | All but the 32KB Block being Erased |
| Block Erase(64KB) | All but the 64KB Block being Erased |

When the Serial NOR Flash receives the Suspend instruction, there is a latency of tPSL or tESL before the Write Enable Latch (WEL) bit clears to “0” and the SUS2 or SUS1 sets to “1”, after which the device is ready to accept one of the commands listed in "Table Acceptable Commands During Program/Erase Suspend after tPSL/tESL" (e.g. FAST READ). Refer to "AC Characteristics" for tPSL and tESL timings. "Table Acceptable instructions During Suspend (tPSL/tESL not required)" lists the Instructions for which the tPSL and tESL latencies do not apply. For example, “05h”, “48h”, “66h” and “99h” can be issued at any time after the Suspend instruction.

Status Register bit 15 (SUS2) and bit 10 (SUS1) can be read to check the suspend status. The SUS2 (Program Suspend Bit) sets to “1” when a program instruction is suspended. The SUS1 (Erase Suspend Bit) sets to “1” when an erase operation is suspended. The SUS2 or SUS1 clears to “0” when the program or erase instruction is resumed.

Acceptable instructions During Program/Erase Suspend after tPSL/tESL

| Instruction Name | Instruction code | Suspend Type | |
|-----------------------|------------------|-----------------|---------------|
| | | Program Suspend | Erase Suspend |
| Read Data | 03H | * | * |
| Fast Read | 0BH | * | * |
| Dual Output Fast Read | 3BH | * | * |
| Dual I/O Fast Read | BBH | * | * |
| Quad Output Fast Read | 6BH | * | * |
| Quad I/O Fast Read | EBH | * | * |
| Read SFDP | 5AH | * | * |
| Read JEDEC ID | 9FH | * | * |
| Mftr./Device ID | 90H | * | * |

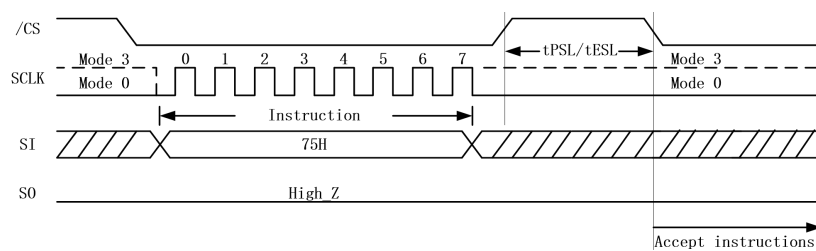
| Instruction Name | Instruction code | Suspend Type | |
|------------------------------|------------------|-----------------|---------------|
| | | Program Suspend | Erase Suspend |
| Mftr./Device ID Dual IO | 92H | * | * |
| Mftr./Device ID Quad IO | 94H | * | * |
| Read Security Registers | 48H | * | * |
| Set Burst with Wrap | 77H | * | * |
| Write Enable | 06H | | * |
| Write Disable | 04H | * | * |
| Program/Erase Resume | 7AH | * | * |
| Page Program | 02H | | * |
| Dual Page Program | A2H | | * |
| Quad Page Program | 32H | | * |
| Release Power-down/Device ID | ABH | * | * |

Acceptable Commands During Suspend (tPSL/tESL not required)

| Instruction Name | Instruction code | Suspend Type | |
|-------------------------|------------------|-----------------|---------------|
| | | Program Suspend | Erase Suspend |
| Read Status Register-1 | 05H | * | * |
| Read Status Register-2 | 35H | * | * |
| Active Status Interrupt | 25H | * | * |
| Enable Reset | 66H | * | * |
| Reset Device | 99H | * | * |

tPSL: Program Suspend Latency; tESL: Erase Suspend Latency.

Figure 7.4.9. Program/Erase Suspend Instruction

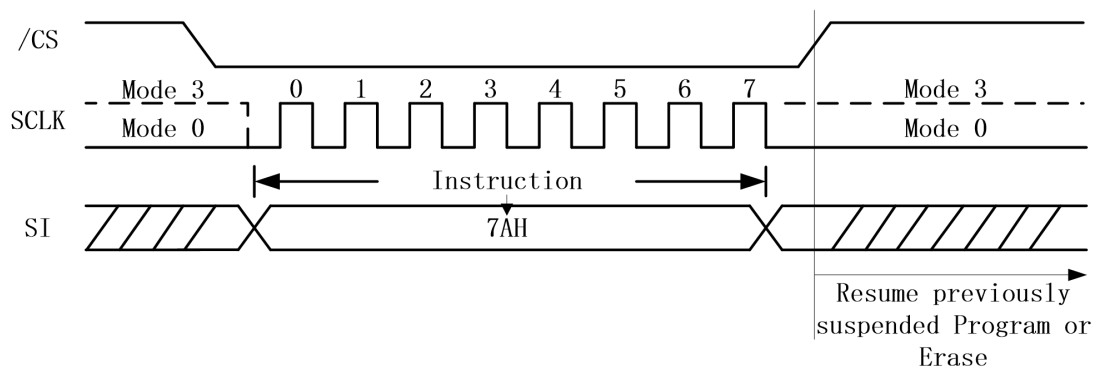


7.4.10 Program/Erase Resume (7Ah)

The Program/Erase Resume instruction “7Ah” must be written to resume the Program or Page / Sector /Block Erase operation after the Program/Erase Suspend. The Program/Erase Resume instruction “7Ah” will be accepted by the device only if the SUS bit in the Status Register equals to 1 and the WIP bit equals to 0. After issued the SUS bit will be cleared from 1 to 0 immediately, the WIP bit will be set from 0 to 1 within 200ns and the Page, Sector or 32/64KBlock will complete the program/erase operation. If the SUS bit equals to 0 or the WIP bit equals to 1, the Program/Erase Resume instruction “7Ah” will be ignored by the device. The Program/Erase Resume instruction sequence is shown in *Figure 7.4.10*.

Program/Erase Resume instruction is ignored if the previous Program/Erase Suspend operation was interrupted by unexpected power off. It is also required that a subsequent Program/Erase Suspend instruction not to be issued within a minimum of time of “tSUS” following a previous Resume instruction.

Figure 7.4.10. Program/Erase Resume Instruction



7.4.11 Erase Security Registers (44h)

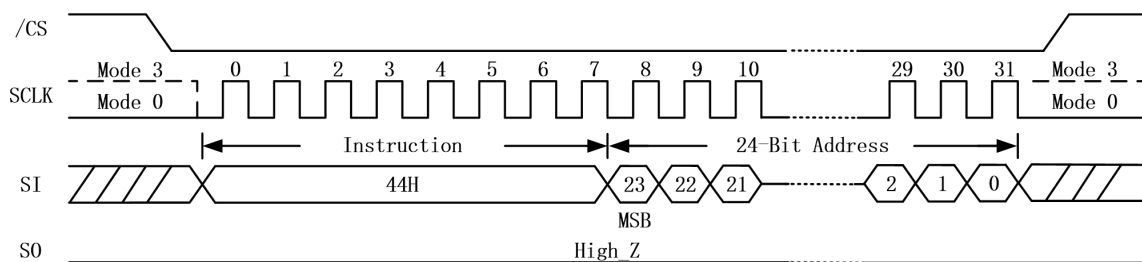
The BY25Q05AW offers three 512-byte Security Registers which can be erased and programmed individually. These registers may be used by the system manufacturers to store security and other important information separately from the main memory array.

The Erase Security Register instruction is similar to the Sector Erase instruction. A Write Enable instruction must be executed before the device will accept the Erase Security Register Instruction (Status Register bit WEL must equal 1). The instruction is initiated by driving the /CS pin low and shifting the instruction code “44h” followed by a 24-bit address (A23-A0) to erase one of the three security registers.

| ADDRESS | A23-16 | A15-12 | A11-9 | A8-0 |
|----------------------|--------|---------|-------|------------|
| Security Register #1 | 00h | 0 0 0 1 | 0 0 0 | Don't Care |
| Security Register #2 | 00h | 0 0 1 0 | 0 0 0 | Don't Care |
| Security Register #3 | 00h | 0 0 1 1 | 0 0 0 | Don't Care |

The Erase Security Register instruction sequence is shown in [Figure 7.4.11](#). The /CS pin must be driven high after the eighth bit of the last byte has been latched. If this is not done the instruction will not be executed. After /CS is driven high, the self-timed Erase Security Register operation will commence for a time duration of tSE (See *AC Characteristics*). While the Erase Security Register cycle is in progress, the Read Status Register instruction may still be accessed for checking the status of the WIP bit. The WIP bit is a 1 during the erase cycle and becomes a 0 when the cycle is finished and the device is ready to accept other instructions again. After the Erase Security Register cycle has finished the Write Enable Latch (WEL) bit in the Status Register is cleared to 0. The Security Register Lock Bits (LB3-1) in the Status Register-2 can be used to OTP protect the security registers. Once a lock bit is set to 1, the corresponding security register (LB3-1 corresponds to S13-11) will be permanently locked, Erase Security Register instruction to that register will be ignored (Refer to [section 5.4.1.6](#) for detail descriptions).

Figure 7.4.11. Erase Security Registers Instruction



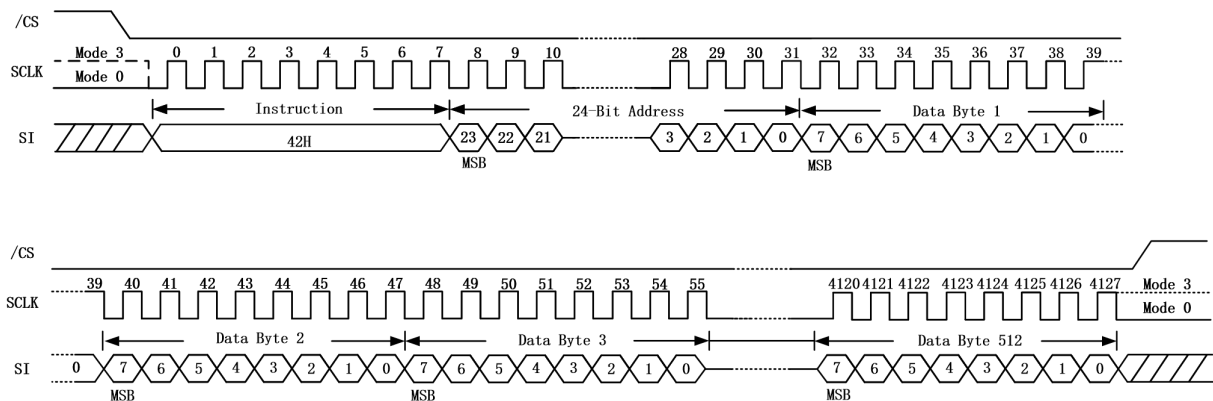
7.4.12 Program Security Registers (42h)

The Program Security Register instruction is similar to the *Page Program* instruction. It allows from one byte to 512 bytes of security register data to be programmed by two times (one time program 256 bytes) at previously erased (FFh) memory locations. A Write Enable instruction must be executed before the device will accept the Program Security Register Instruction (Status Register bit WEL= 1). The instruction is initiated by driving the /CS pin low then shifting the instruction code “42h” followed by a 24- bit address (A23-A0) and at least one data byte, into the SI pin. The /CS pin must be held low for the entire length of the instruction while data is being sent to the device.

| ADDRESS | A23-16 | A15-12 | A11-9 | A8-0 |
|----------------------|--------|---------|-------|--------------|
| Security Register #1 | 00h | 0 0 0 1 | 0 0 0 | Byte Address |
| Security Register #2 | 00h | 0 0 1 0 | 0 0 0 | Byte Address |
| Security Register #3 | 00h | 0 0 1 1 | 0 0 0 | Byte Address |

The Program Security Register instruction sequence is shown in *Figure 7.4.12*. The Security Register Lock Bits (LB3-1) in the Status Register-2 can be used to OTP protect the security registers. Once a lock bit is set to 1, the corresponding security register will be permanently locked, Program Security Register instruction to that register will be ignored.

Figure 7.4.12. Program Security Registers Instruction

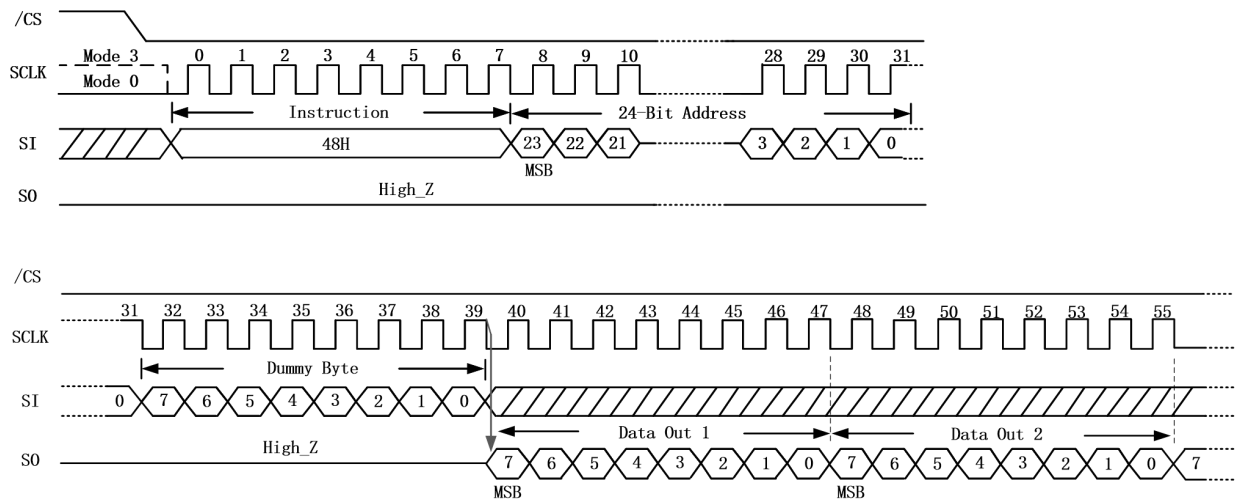


7.4.13 Read Security Registers (48h)

The Read Security Register instruction is similar to the *Fast Read* instruction and allows one or more data bytes to be sequentially read from one of the three security registers. The instruction is initiated by driving the /CS pin low and then shifting the instruction code “48h” followed by a 24-bit address (A23-A0) and eight “dummy” clocks into the SI pin. The code and address bits are latched on the rising edge of the SCLK pin. After the address is received, the data byte of the addressed memory location will be shifted out on the SO pin at the falling edge of SCLK with most significant bit (MSB) first. The byte address is automatically incremented to the next byte address after each byte of data is shifted out. Once the byte address reaches the last byte of the register (byte address FFh), it will reset to address 00h, the first byte of the register, and continue to increment. The instruction is completed by driving /CS high. The Read Security Register instruction sequence is shown in *Figure 7.4.13*. If a Read Security Register instruction is issued while an Erase, Program or Write cycle is in progress (WIP=1) the instruction is ignored and will not have any effects on the current cycle. The Read Security Register instruction allows clock frequency up to a maximum of fC (see *AC Electrical Characteristics*).

| ADDRESS | A23-16 | A15-12 | A11-9 | A8-0 |
|----------------------|--------|---------|-------|--------------|
| Security Register #1 | 00h | 0 0 0 1 | 0 0 0 | Byte Address |
| Security Register #2 | 00h | 0 0 1 0 | 0 0 0 | Byte Address |
| Security Register #3 | 00h | 0 0 1 1 | 0 0 0 | Byte Address |

Figure 7.4.13. Read Security Registers Instruction



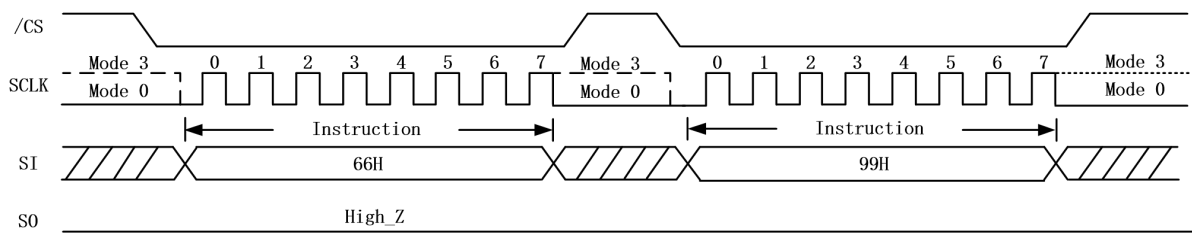
7.4.14 Enable Reset (66h) and Reset Device (99h)

Because of the small package and the limitation on the number of pins, the BY25Q05AW provide a software Reset instruction instead of a dedicated RESET pin. Once the Reset instruction is accepted, any on-going internal operations will be terminated and the device will return to its default power-on state and lose all the current volatile settings, such as Volatile Status Register bits, Write Enable Latch (WEL) status, Program/Erase Suspend status, Continuous Read Mode bit setting (M7-M0), Wrap Bit setting (W6-W4).

To avoid accidental reset, both instructions must be issued in sequence. Any other instructions other than “Reset (99h)” after the “Enable Reset (66h)” instruction will disable the “Reset Enable” state. A new sequence of “Enable Reset (66h)” and “Reset (99h)” is needed to reset the device. Once the Reset instruction is accepted by the device, the device will take tRST to reset. During this period, no instruction will be accepted.

Data corruption may happen if there is an on-going or suspended internal Erase or Program operation when Reset instruction sequence is accepted by the device. It is recommended to check the WIP bit and the SUS bit in Status Register before issuing the Reset instruction sequence.

Figure 7.4.14. Enable Reset and Reset Instruction Sequence



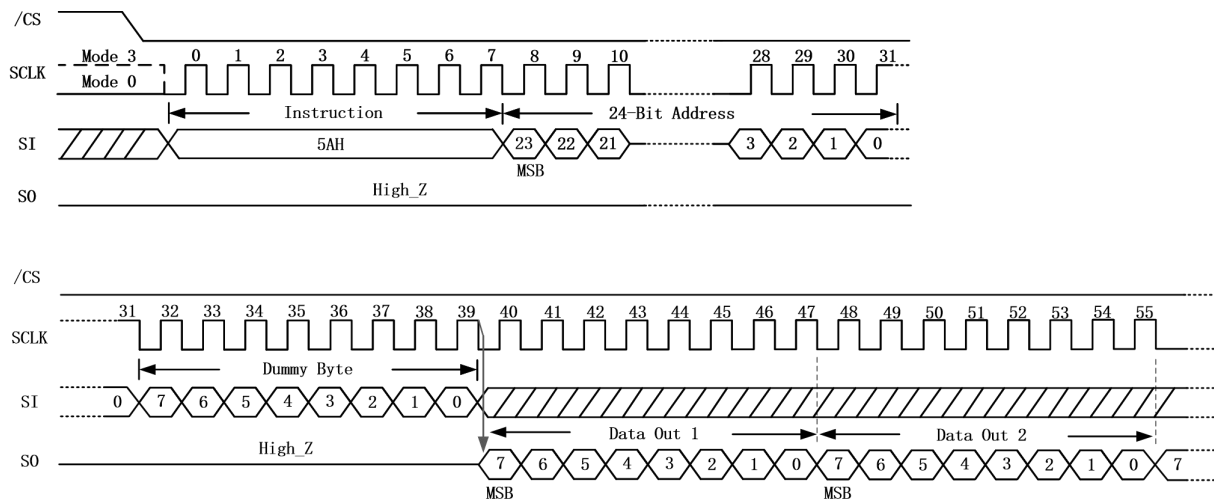
7.4.15 Read Serial Flash Discoverable Parameter (5AH)

The Serial Flash Discoverable Parameter (SFDP) standard provides a consistent method of describing the functional and feature capabilities of serial flash devices in a standard set of internal parameter tables. These parameter tables can be interrogated by host system software to enable adjustments needed to accommodate divergent features from multiple vendors. The concept is similar to the one found in the Introduction of JEDEC Standard, JESD68 on CFI.

SFDP is a JEDEC Standard, JESD216B.

SFDP is a special order. If you need anything, please contact BY Technology

Figure 7.4.15. Read Serial Flash Discoverable Parameter instruction Sequence Diagram



8. Electrical Characteristics

8.1 Absolute Maximum Ratings

| PARAMETERS | SYMBOL | CONDITIONS | RANGE | UNIT |
|---------------------------------|--------|---------------------------------------|-------------------|------|
| Supply Voltage | VCC | | -0.6 to VCC+0.6 | V |
| Voltage Applied to Any Pin | VIO | Relative to Ground | -0.6 to VCC+0.6 | V |
| Transient Voltage on any Pin | VIOT | <20nS Transient Relative to Ground | -1.0V to VCC+1.0V | V |
| Storage Temperature | TSTG | | -65 to +150 | °C |
| Lead Temperature | TLEAD | | See Note (2) | °C |
| Electrostatic Discharge Voltage | VESD | Human Body Model ⁽³⁾ | -2000 to +2000 | V |

Notes:

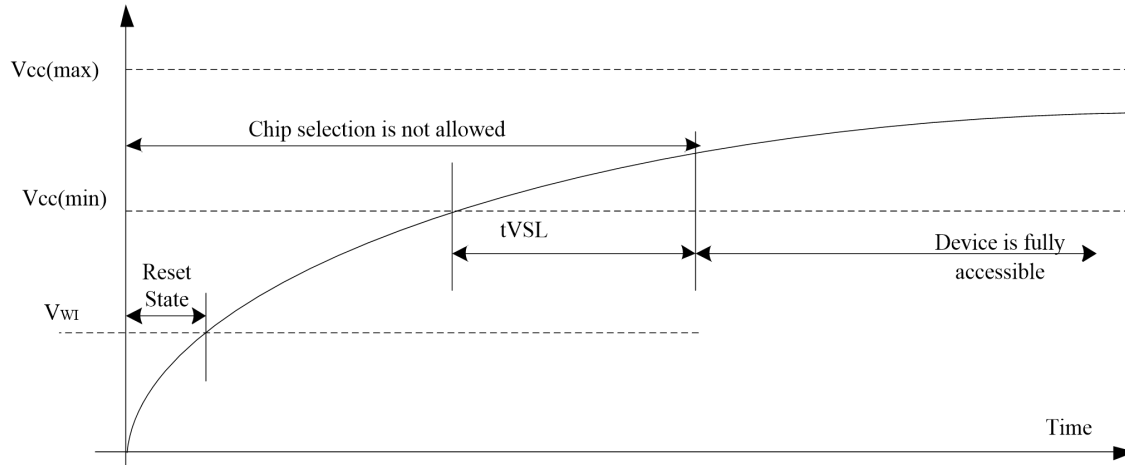
1. This device has been designed and tested for the specified operation ranges. Proper operation outside of these levels is not guaranteed. Exposure to absolute maximum ratings may affect device reliability. Exposure beyond absolute maximum ratings may cause permanent damage.
2. Compliant with JEDEC Standard J-STD-20C for small body Sn-Pb or Pb-free (Green) assembly and the European directive on restrictions on hazardous substances (RoHS) 2002/95/EU.
3. JEDEC Std JESD22-A114A (C1=100pF, R1=1500 ohms, R2=500 ohms)

8.2 Operating Ranges

| PARAMETER | SYMBOL | CONDITIONS | SPEC | | UNIT |
|---------------------------------|--------|-------------------------|------|-----|------|
| | | | MIN | MAX | |
| Supply Voltage ⁽¹⁾ | VCC | FR = 108MHz, fR = 50MHz | 1.65 | 3.6 | V |
| Ambient Temperature (Operating) | TA | Industrial | -40 | +85 | °C |

8.3 Power-up Timing and Write Inhibit Threshold

| Symbol | Parameter | Min | Max | Unit. |
|-----------------|---|-----|-----|-------|
| tVSL | VCC(min) To /CS Low | 300 | | us |
| V _{WI} | Write Inhibit Threshold Voltage V _{WI} | 1.0 | 1.4 | V |



8.4 DC Electrical Characteristics

| PARAMETER | SYMBOL | CONDITIONS | SPEC | | | UNIT |
|---------------------------|---------------------|--------------------------------|-----------|-----|-----------|------|
| | | | MIN | TYP | MAX | |
| Input Capacitance | CIN ⁽¹⁾ | VIN = 0V ⁽¹⁾ | | | 6 | pF |
| Output Capacitance | Cout ⁽¹⁾ | VOUT = 0V ⁽¹⁾ | | | 8 | pF |
| Input Leakage | ILI | All inputs at CMOS level | | | ±2 | μA |
| Output Leakage | ILO | All inputs at CMOS level | | | ±2 | μA |
| Standby Current | ICC1 | /CS = VCC, VIN = GND or VCC | | 9 | | μA |
| Power-down Current | ICC2 | /CS = VCC, VIN = GND or VCC | | 0.1 | 0.6 | μA |
| Normal read current (03h) | ICC3 | F=1MHz;IOUT=0mA | | 0.5 | 1.0 | mA |
| | | F=33MHz;IOUT=0mA | | 1.0 | 2.0 | mA |
| Read Current(0Bh) | ICC4 | F=50MHz;IOUT=0mA | | 1.0 | 2.0 | mA |
| | | F=85MHz;IOUT=0mA | | 1.0 | 2.0 | mA |
| Program Current | ICC5 | /CS = VCC WIP=1 | | 1.5 | 3.0 | mA |
| Erase Current | ICC6 | /CS = VCC WIP=1 | | 1.5 | 3.0 | mA |
| Input Low Voltage | VIL | | | | VCC x 0.2 | V |
| Input High Voltage | VIH | | VCC x 0.8 | | | V |
| Output Low Voltage | VOL | IOL = 100 μA | | | 0.2 | V |
| Output High Voltage | VOH | IOH = -100 μA | VCC - 0.2 | | | V |

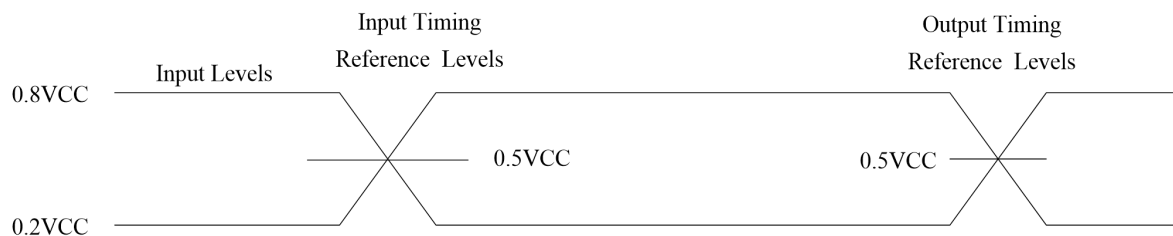
Notes:

1. Tested on sample basis and specified through design and characterization data. TA = 25° C, VCC = 1.8V.

8.5 AC Measurement Conditions

| PARAMETER | SYMBOL | SPEC | | UNIT |
|----------------------------------|------------------|--|-----|------|
| | | MIN | MAX | |
| Input Capacitance | C _{in} | | 6 | pF |
| Output Capacitance | C _{out} | | 6 | pF |
| Load Capacitance | CL | | 30 | pF |
| Input Rise and Fall Times | TR, TF | | 5 | ns |
| Input Pulse Voltages | V _{IN} | 0.2 V _{CC} -0.8 V _{CC} | | V |
| Input Timing Reference Voltages | I _N | 0.5 V _{CC} -0.5 V _{CC} | | V |
| Output Timing Reference Voltages | O _{UT} | 0.5 V _{CC} -0.5 V _{CC} | | V |

AC Measurement I/O Waveform



8.6 AC Electrical Characteristics

| DESCRIPTION | SYMBOL | ALT | SPEC | | | UNIT |
|--|------------------------------|------|------|-----|-----|------|
| | | | MIN | TYP | MAX | |
| Clock frequency for Normal Read Data instruction | fR | | | | 33 | MHz |
| Clock frequency for Read instruction except Normal Read Data instruction (05h,35h,0Bh,3Bh, 6Bh,BBh, EBh,90h,92h,94h,9Fh,4Bh,48h,5Ah) | fC | fC1 | | | 85 | MHz |
| Clock High, Low Time | tCLH, tCLL ⁽¹⁾ | | 5.5 | | | ns |
| Clock Rise Time peak to peak | tCLCH ⁽²⁾ | | 0.1 | | | V/ns |
| Clock Fall Time peak to peak | tCHCL ⁽²⁾ | | 0.1 | | | V/ns |
| /CS Active Setup Time relative to CLK | tSLCH | tCSS | 5 | | | ns |
| /CS Not Active Hold Time relative to CLK | tCHSL | | 5 | | | ns |
| Data In Setup Time | tDVCH | tDSU | 2 | | | ns |
| Data In Hold Time | tCHDX | tDH | 3 | | | ns |
| Output Disable Time | tSHQZ ⁽²⁾ | tDIS | | | 6 | ns |
| /CS Active Hold Time relative to CLK | tCHSH | tCSS | 5 | | | ns |
| /CS Not Active Setup Time relative to CLK | tSHCH | | 5 | | | ns |
| /CS Deselect Time from read to next Read | tSHSL | tCSH | 15 | | | ns |
| /CS Deselect Time from Write,Erase,Program TO Read status Register | | | 30 | | | ns |
| Clock Low to Output Valid loading 30pF | tCLQV | tV | | | 7 | ns |
| Clock Low to Output Valid loading 15pF | | | | | 6 | ns |
| Output Hold Time | tCLQX | tHO | 0 | | | ns |
| /HOLD Active Setup Time relative to CLK | tHLCH | | 5 | | | ns |
| /HOLD Active Hold Time relative to CLK | tCHHH | | 5 | | | ns |
| /HOLD Not Active Setup Time relative to CLK | tHHCH | | 5 | | | ns |
| /HOLD Not Active Hold Time relative to CLK | tCHHL | | 5 | | | ns |

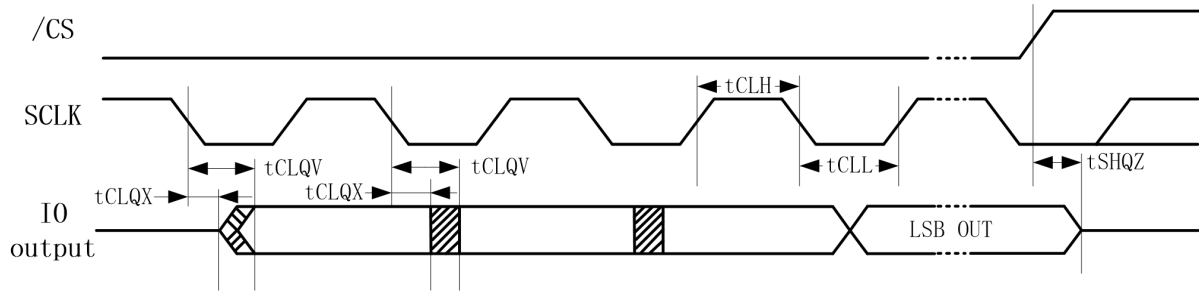
8.7 AC Electrical Characteristics (cont'd)

| DESCRIPTION | SYMBOL | ALT | SPEC | | | UNIT |
|---|----------------------|-----|------|-----|-----|------|
| | | | MIN | TYP | MAX | |
| /HOLD to Output Low-Z | tHHQX ⁽²⁾ | tLZ | | | 6 | ns |
| /HOLD to Output High-Z | tHLQZ ⁽²⁾ | tHZ | | | 6 | ns |
| Write Protect Setup Time Before /CS Low | tWHS ⁽³⁾ | | 20 | | | ns |
| Write Protect Hold Time After /CS High | tSHWL ⁽³⁾ | | 100 | | | ns |
| /CS High to Deep Power-down Mode | tDP ⁽²⁾ | | | | 3 | μs |
| /CS High to Standby Mode without ID Read | tRES1 ⁽²⁾ | | | | 8 | μs |
| /CS High to Standby Mode with ID Read | tRES2 ⁽²⁾ | | | | 8 | μs |
| /CS High to next Instruction after Suspend | tSUS ⁽²⁾ | | | | 20 | μs |
| /CS High to next Instruction after Reset | tRST ⁽²⁾ | | 30 | | | μs |
| Write Status Register Cycle Time | tW | | | 6.5 | 12 | ms |
| Byte Program Time | tBP1 | | | 1 | 3 | ms |
| Erase Suspend Latency | tESL | | | | 30 | μs |
| Program Suspend Latency | tPSL | | | | 30 | μs |
| Latency between Program Resume and next Suspend | tPRS | | 20 | | | μs |
| Latency between Erase Resume and next Suspend | tERS | | 20 | | | μs |
| Page Program Time | tPP | | | 2 | 3 | ms |
| Page Erase Time | tPE | | | 8 | 12 | ms |
| Sector Erase Time (4KB) | tSE | | | 8 | 12 | ms |
| Block Erase Time (32KB) | tBE1 | | | 8 | 12 | ms |
| Block Erase Time (64KB) | tBE2 | | | 8 | 12 | ms |
| Chip Erase Time | tCE | | | 8 | 12 | ms |

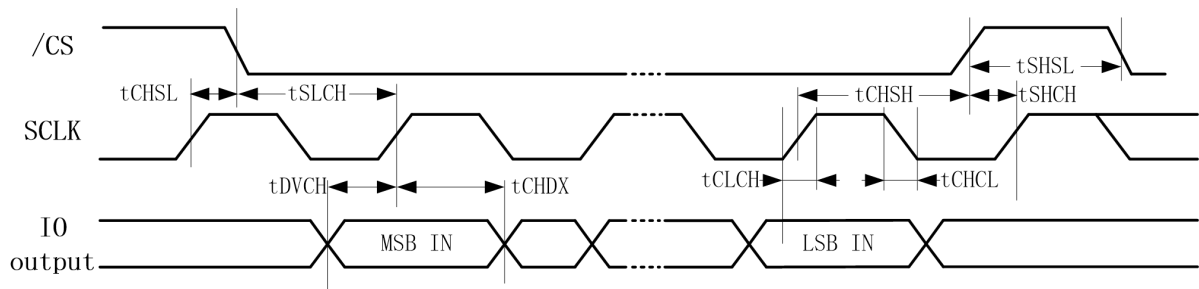
Notes:

1. Clock high + Clock low must be less than or equal to 1/fC.
2. Value guaranteed by design and/or characterization, not 100% tested in production.
3. Only applicable as a constraint for a Write Status Register instruction when SRP[1:0]=(0,1).
4. Tested on sample basis and specified through design and characterization data. TA = 25° C, VCC = 1.8V, 100% driver strength.

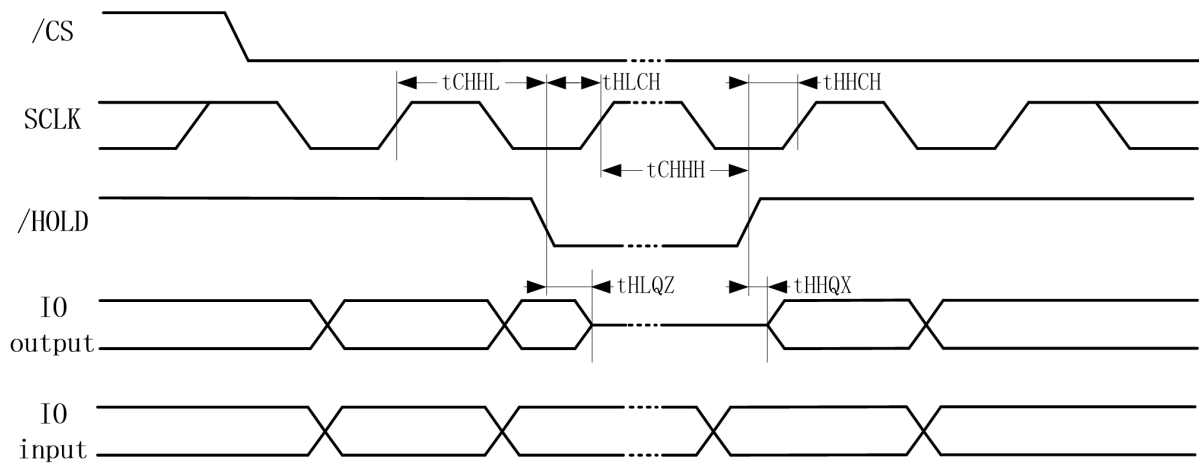
8.8 Serial Output Timing



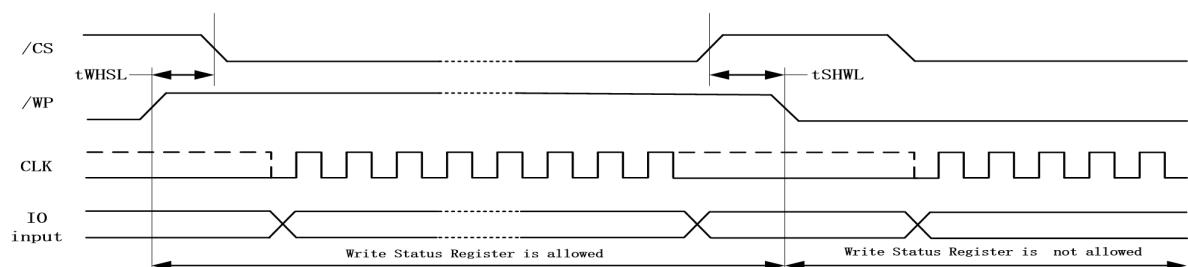
8.9 Serial Input Timing



8.10 /HOLD Timing

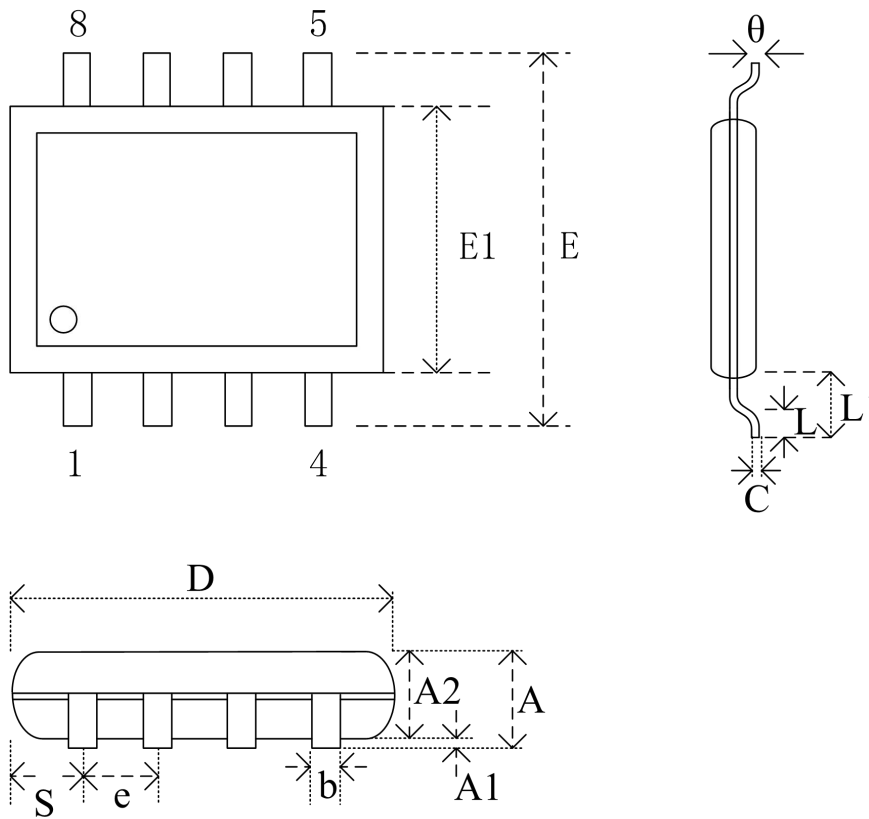


8.11 /WP Timing

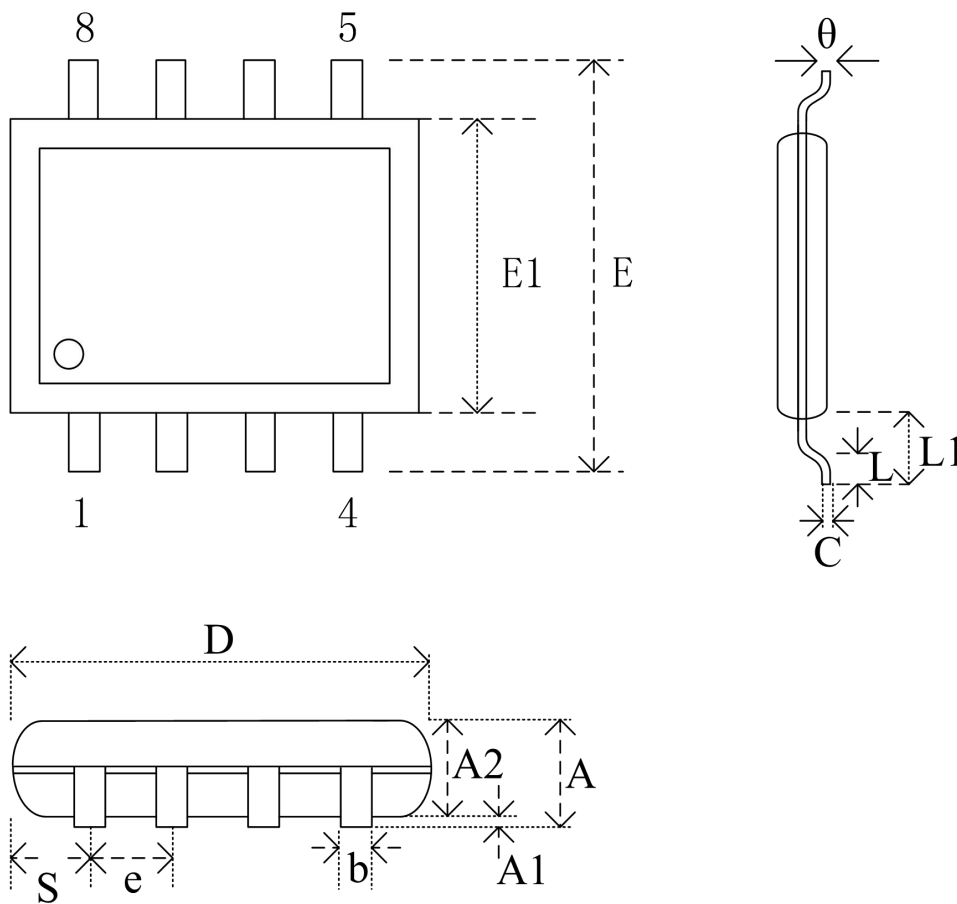


9. Package Information

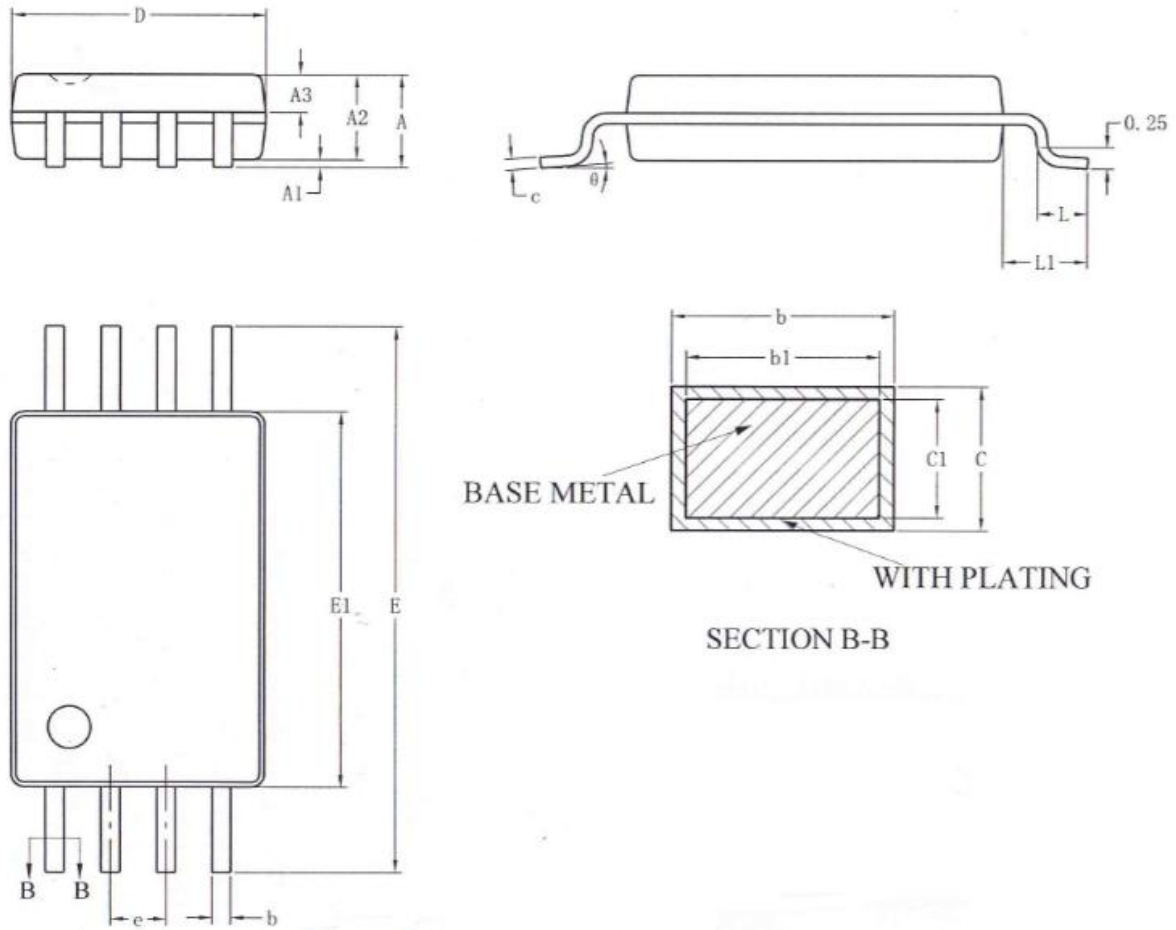
9.1 Package 8-Pin SOP 150-mil



| Symbol | | A | A1 | A2 | b | C | D | E | E1 | e | L | L1 | S | θ |
|--------|-----|------|-------|------|------|------|------|------|------|------|------|------|------|----------|
| Unit | | | | | | | | | | | | | | |
| mm | Min | - | 0.10 | 1.30 | 0.39 | 0.20 | 4.80 | 5.80 | 3.80 | 1.27 | 0.50 | 1.05 | 0.41 | 0 |
| | Nom | - | - | 1.40 | - | - | 4.90 | 6.00 | 3.90 | | - | | 0.54 | 5 |
| | Max | 1.75 | 0.225 | 1.50 | 0.47 | 0.24 | 5.00 | 6.20 | 4.00 | | 0.80 | | 0.67 | 8 |

9.2 Package 8-Pin SOP 208-mil

Dimensions

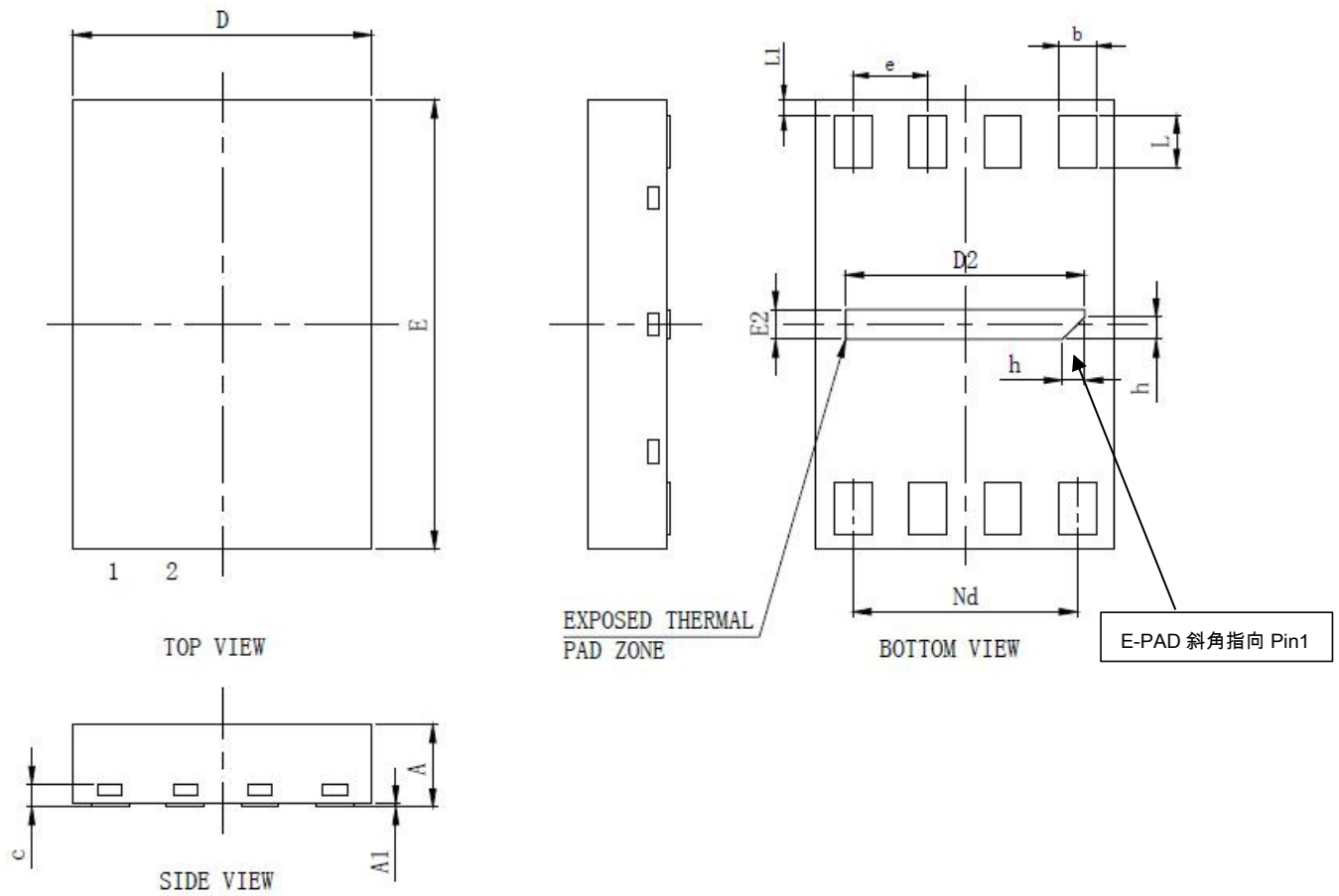
| Symbol | A | A1 | A2 | b | C | D | E | E1 | e | L | L1 | S | θ | |
|--------|-----|------|------|------|------|------|------|------|------|------|------|------|----------|---|
| Unit | | | | | | | | | | | | | | |
| mm | Min | - | 0.10 | 1.75 | 0.42 | 0.20 | 5.00 | 7.85 | 5.16 | 1.27 | 0.60 | 1.31 | 0.62 | 0 |
| | Nom | - | 0.15 | 1.80 | - | - | 5.17 | 7.90 | 5.22 | 1.27 | 0.65 | 1.31 | 0.74 | 5 |
| | Max | 1.95 | 0.18 | 1.90 | 0.48 | 0.24 | 5.25 | 7.98 | 5.26 | | 0.70 | 1.41 | 0.88 | 8 |

9.3 Package 8-Pin TSSOP 173-mil

Dimensions

| Symbol | A | A1 | A2 | A3 | b | b1 | c | c1 | D | E | E1 | e | L | L1 | θ | | |
|--------|-----|------|------|------|------|------|------|------|------|------|------|------|------|------|----------|---|---|
| Unit | | | | | | | | | | | | | | | | | |
| mm | Min | - | 0.05 | 0.90 | 0.39 | 0.20 | 0.19 | 0.13 | 0.12 | 2.90 | 6.20 | 4.30 | 0.65 | 0.45 | 1.00 | 0 | |
| | Nom | - | - | 1.00 | 0.44 | - | 0.22 | - | 0.13 | 3.00 | 6.40 | 4.40 | | - | | - | - |
| | Max | 1.20 | 0.15 | 1.05 | 0.49 | 0.28 | 0.25 | 0.17 | 0.14 | 3.10 | 6.60 | 4.50 | | 0.75 | | 8 | |

Note:

- The exposed metal pad area on the bottom of the package is floating.

9.4 Package USON8 (2X3mm)

Dimensions

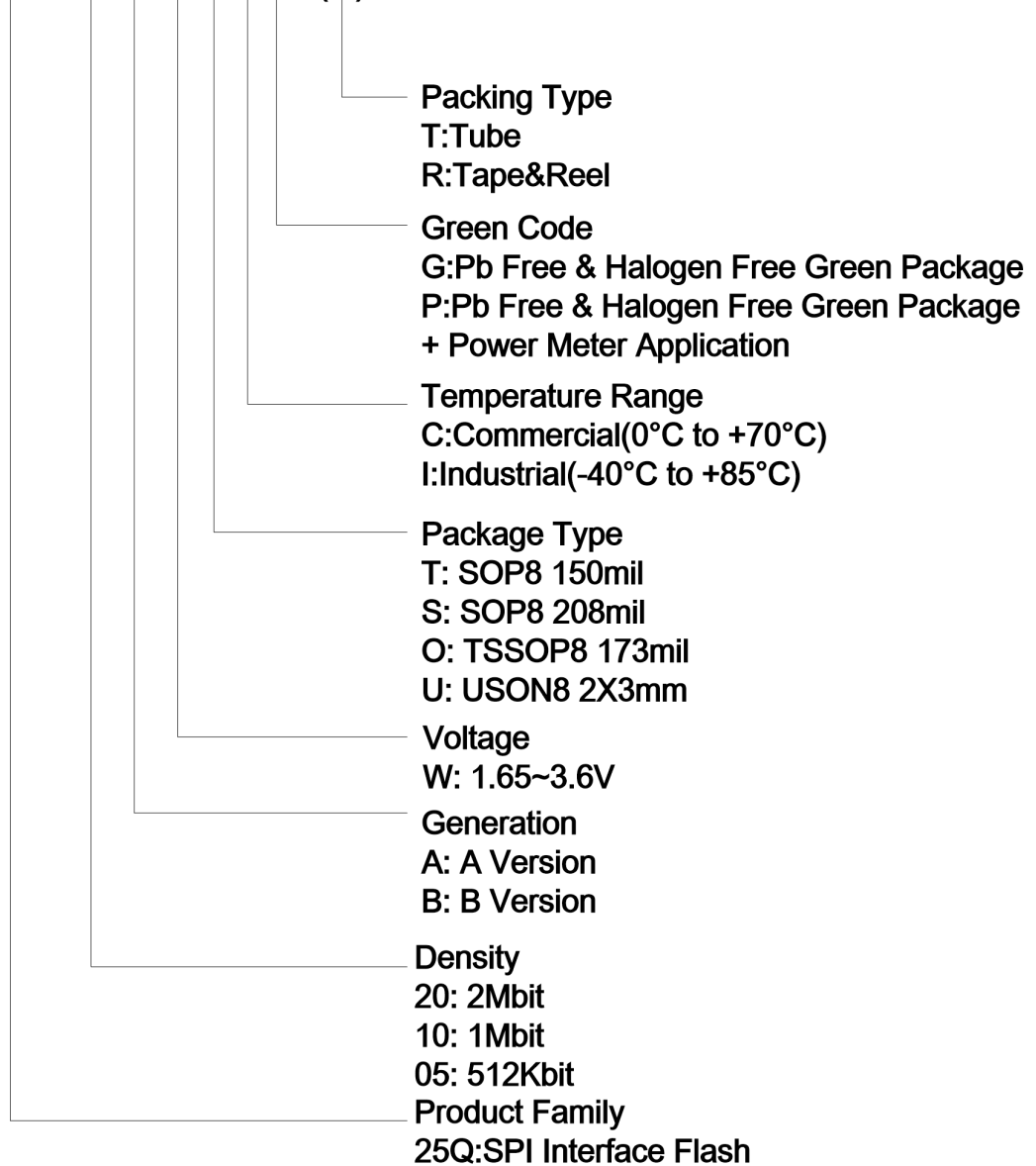
| Symbol | | A | A1 | b | c | D | D2 | e | Nd | E | E2 | L | L1 | h |
|--------|-----|------|------|------|------|------|------|---------|---------|------|------|------|------|------|
| Unit | | | | | | | | | | | | | | |
| mm | Min | 0.50 | 0 | 0.20 | 0.10 | 1.90 | 1.50 | 0.50BSC | 1.50BSC | 2.90 | 0.10 | 0.30 | 0.05 | 0.05 |
| | Nom | 0.55 | 0.02 | 0.25 | 0.15 | 2.00 | 1.60 | | | 3.00 | 0.20 | 0.35 | 0.10 | 0.15 |
| | Max | 0.60 | 0.05 | 0.30 | 0.20 | 2.10 | 1.70 | | | 3.10 | 0.30 | 0.40 | 0.15 | 0.25 |

Note:

- The exposed metal pad area on the bottom of the package is floating.

10. Order Information

BY 25Q 05 A W T I G (T)



10.1 Valid part Numbers

The following table provides the valid part numbers for BY25Q05AW SPI Flash Memory. Pls contact BY Technology for specific availability by density and package type.

| Package Type | Density | Product Number |
|--------------------|----------|----------------|
| T SOP8 150mil | 512K-bit | BY25Q05AWTIG |
| O TSSOP8 173mil | 512K-bit | BY25Q05AWOIG |
| U USON8 2X3mm | 512K-bit | BY25Q05AWUIG |

10.2 Minimum Packing Quantity (MPQ)

| Package Type | Packing Type | Qty for 1 Tube or Reel | Vacuum bag/ Inner Box | MPQ |
|------------------|--------------|------------------------|-------------------------------|--------|
| SOP8 208mil | Tube | 95ea/Tube | 100Tubes/Bag 1Bag/InnerBox | 9,500 |
| | Tape&Reel | 2000ea/Reel | 1Reel/Bag 2Bags/InnerBox | 4,000 |
| SOP8 150mil | Tube | 100ea/Tube | 100Tubes/Bag 1Bag/InnerBox | 10,000 |
| | Tape&Reel | 4000ea/Reel | 1Reel/Bag 1Bags/InnerBox | 4,000 |
| TSSOP8 173mil | Tube | 100ea/Tube | 120Tubes/Bag 1Bag/InnerBox | 12,000 |
| | Tape&Reel | 5000ea/Reel | 1Reel/Bag 1Bag/InnerBox | 5,000 |
| USON8 2X3mm | Tape&Reel | 3000ea/Reel | 1Reel/Bag 10Bags/InnerBox | 30,000 |

11. Document Change History

| REVISION | DATE | ORIGINATOR | DESCRIPTION |
|----------|------------|--------------------|--|
| 1.0 | 2019-01-25 | Marketing/Designer | Initiate; Version source: BY25Q20AW_v1.0. |
| 1.1 | 2019-12-16 | Marketing/Designer | Modify the description in 8.3 Power-up Timing and Write Inhibit Threshold; |
| 1.2 | 2020-12-08 | Marketing/Designer | Modify Status Register page20 |
| 1.3 | 2023-03-17 | Zuohuan Yu | Add package information |
| 1.4 | 2023-04-06 | Zuohuan Yu | Update the logo and abbreviation |
| 1.5 | 2023-04-17 | Zuohuan Yu | Delete the tCLQV1 |
| 1.6 | 2023-07-19 | Zuohuan Yu | Add the note of the DFN package |
| | | | |
| | | | |