

**DATASHEET
FOR
16M BIT SPI NOR FLASH**

BY25Q16BS

Features

• Serial Peripheral Interface

- Standard SPI: SCLK, /CS, SI, SO, /WP, /HOLD
- Dual SPI: SCLK, /CS, IO0, IO1, /WP, /HOLD
- Quad SPI: SCLK, /CS, IO0, IO1, IO2, IO3
- QPI: SCLK, /CS, IO0, IO1, IO2, IO3

• Read

- Normal Read (Serial): 55MHz clock rate
- Fast Read (Serial): 108MHz clock rate with 30PF load
- Dual I/O data transfer up to 216Mbits/S
- Quad I/O data transfer up to 432Mbits/S
- Allows XIP (execute in place) Operation: Continuous Read with 8/16/32/64-byte Wrap

• Program

- Serial-input Page Program up to 256bytes
- Program Suspend and Resume

• Erase

- Block erase (64/32 KB)
- Sector erase (4 KB)
- Chip erase
- Erase Suspend and Resume

• Program/Erase Speed

- Page Program time: 0.6ms typical
- Sector Erase time: 50ms typical
- Block Erase time: 0.15/0.25s typical
- Chip Erase time: 7s typical

• Flexible Architecture

- Sector of 4K-byte
- Block of 32/64K-byte

• Low Power Consumption

- 20mA maximum active current
- 12uA maximum power down current

• Software/Hardware Write Protection

- 3x256-Byte Security Registers with OTP Locks
- Discoverable Parameters (SFDP) register
- Enable/Disable protection with WP Pin
- Write protect all/portion of memory via software
- Top or Bottom, Sector or Block selection

• Single Supply Voltage

- Full voltage range: 2.7~3.6V

• Temperature Range

- Commercial (0°C to +70°C)
- Industrial (-40°C to +85°C)
- Industrial (-40°C to +105°C)

• Cycling Endurance/Data Retention

- Typical 100k Program-Erase cycles on any sector
- Typical 20-year data retention

Contents

1. Description	5
2. Signal Description	7
2.1 Input/Output Summary	7
2.2 Chip Select (/CS)	7
2.3 Serial Clock (SCLK)	7
2.4 Serial Input (SI)/IO0	7
2.5 Serial Data Output (SO)/IO1	8
2.6 Write Protect (/WP)/IO2	8
2.7 HOLD (/HOLD)/IO3	8
2.8 VCC Power Supply	8
2.9 VSS Ground	8
3. Block/Sector Addresses	9
4. SPI Operation	10
4.1 Standard SPI Instructions	10
4.2 Dual SPI Instructions	10
4.3 Quad SPI Instructions	10
4.4 QPI Instructions	10
5. Operation Features	11
5.1 Supply Voltage	11
5.1.1 Operating Supply Voltage	11
5.1.2 Power-up Conditions	11
5.1.3 Device Reset	11
5.1.4 Power-down	11
5.2 Active Power and Standby Power Modes	11
5.3 Hold Condition	11
5.4 Status Register	13
5.4.1 Status Register Table	13
5.4.2 The Status and Control Bits	13
5.4.3 Status Register Protect Table	15
5.4.4 Write Protect Features	15
5.4.5 Status Register Memory Protection	16
6. Device Identification	18
7. Instructions Description	19
7.1 Configuration and Status Instructions	24
7.1.1 Write Enable (06H)	24
7.1.2 Write Disable (04H)	24
7.1.3 Read Status Register (05H or 35H or 15H)	25
7.1.4 Write Status Register (01H or 31H or 11H)	26
7.1.5 Write Enable for Volatile Status Register (50H)	28
7.1.6 Enter QPI Mode (38H)	29
7.1.7 Exit QPI Mode (FFH)	29
7.2 Read Instructions	30
7.2.1 Read Data (03H)	30
7.2.2 Fast Read (0BH)	31
7.2.3 Dual Output Fast Read (3BH)	32
7.2.4 Quad Output Fast Read (6BH)	33
7.2.5 Dual I/O Fast Read (BBH)	34

7.2.6 Quad I/O Fast Read (EBH)	36
7.2.7 Quad I/O Word Fast Read (E7H)	39
7.2.8 Octal Word Read Quad I/O (E3h)	41
7.2.9 Set Burst with Wrap (77H)	42
7.2.10 Set Read Parameters (C0H)	43
7.2.11 Burst Read with Wrap (0Ch)	44
7.3 ID and Security Instructions	45
7.3.1 Read Manufacture ID/ Device ID (90H)	45
7.3.2 Dual I/O Read Manufacture ID/ Device ID (92H)	46
7.3.3 Quad I/O Read Manufacture ID/ Device ID (94H)	47
7.3.4 Read JEDEC ID (9FH)	48
7.3.5 Read Unique ID Number (4Bh)	49
7.3.6 Deep Power-Down (B9H)	50
7.3.7 Release from Deep Power-Down/Read Device ID (ABH)	51
7.3.8 Read Security Registers (48H)	53
7.3.9 Erase Security Registers (44H)	54
7.3.10 Program Security Registers (42H)	55
7.3.11 Enable Reset (66H) and Reset Device (99H)	56
7.3.12 Read Serial Flash Discoverable Parameter (5AH)	57
7.4 Program and Erase Instructions	58
7.4.1 Page Program (02H)	58
7.4.2 Quad Page Program (32H)	59
7.4.3 Fast Page Program (F2H)	60
7.4.4 Sector Erase (20H)	61
7.4.5 32KB Block Erase (52H)	62
7.4.6 64KB Block Erase (D8H)	63
7.4.7 Chip Erase (60/C7H)	64
7.4.8 Erase / Program Suspend (75H)	65
7.4.9 Erase / Program Resume (7AH)	67
8. Electrical Characteristics	68
8.1 Absolute Maximum Ratings	68
8.2 Operating Ranges	68
8.3 Latch Up Characteristics	69
8.4 Power-up Timing	69
8.5 DC Electrical Characteristics	70
8.6 AC Measurement Conditions	72
8.7 AC Electrical Characteristics	72
9. Package Information	77
9.1 Package 8-Pin SOP 150-mil	77
9.2 Package 8-Pin SOP 208-mil	78
9.3 Package 8-Pad WSON (5x6mm)	79
9.4 Package USON8 (4X3mm)	80
9.5 Package USON8 (2X3-0.55mm)	81
10. Order Information	82
10.1 Valid part Numbers and Top Side Marking	83
10.2 Minimum Packing Quantity (MPQ)	84
11. Document Change History	85

1. Description

The BY25Q16BS is 16M-bit Serial Peripheral Interface(SPI) Flash memory, and supports the Dual/Quad SPI as well as 2-clocks instruction cycle Quad Peripheral Interface (QPI): Serial Clock, Chip Select, Serial Data I/O0 (SI), I/O1 (SO), I/O2 (/WP), and I/O3 (/HOLD). The Dual I/O data is transferred with speed of 216Mbits/s and the Quad I/O & Quad output data is transferred with speed of 432Mbits/s. The device uses a single low voltage power supply, ranging from 2.7 Volt to 3.6 Volt.

Additionally, the device supports JEDEC standard manufacturer and device ID and three 256-bytes Security Registers.

BYTe Semiconductor offers 8-pin SOP 208mil, 8-pad WSON 6x5-mm, and other special order packages, please contact BYTe Semiconductor for ordering information.

Figure 1. Logic diagram

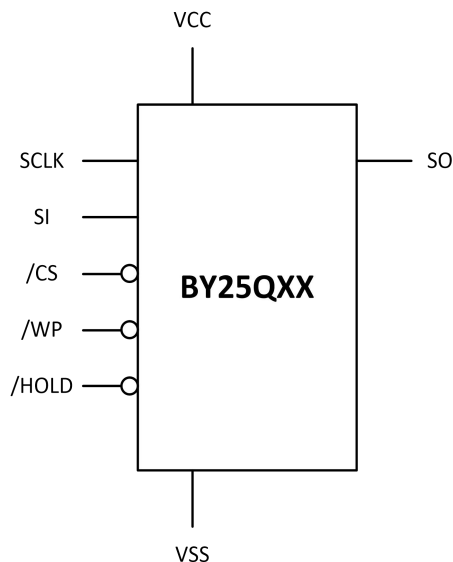


Figure 2. Pin Configuration SOP8

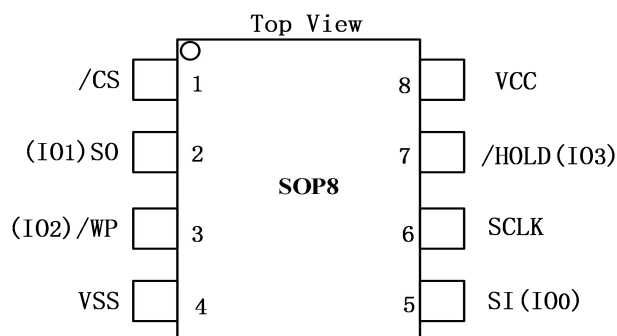


Figure 3.1. Pin Configuration WSON 5X6mm

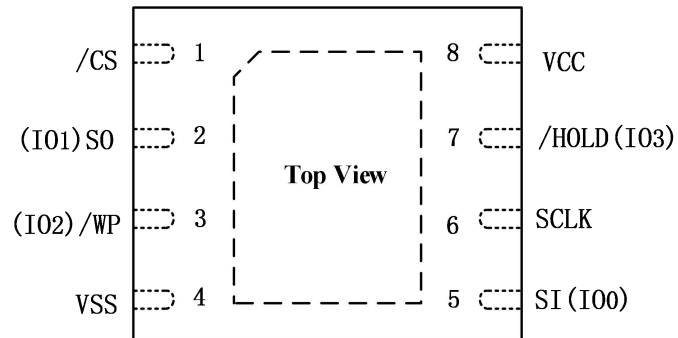
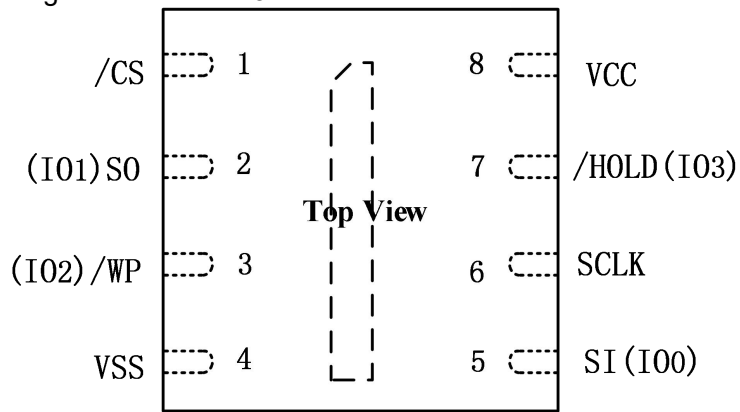


Figure 3.2. Pin Configuration DFN 2X3mm



2. Signal Description

During all operations, VCC must be held stable and within the specified valid range: VCC (min) to VCC (max).

All of the input and output signals must be held High or Low (according to voltages of VIH, VOH, VIL or VOL, see Section 8.6, DC Electrical Characteristics on *page 68&69*). These signals are described next.

2.1 Input/Output Summary

Table 1. Signal Names

Pin Name	I/O	Description
/CS	I	Chip Select
SO (IO1)	I/O	Serial Output for single bit data Instructions. IO1 for Dual or Quad Instructions.
/WP (IO2)	I/O	Write Protect in single bit or Dual data Instructions. IO2 in Quad mode. The signal has an internal pull-up resistor and may be left unconnected in the host system if not used for Quad Instructions.
VSS		Ground
SI (IO0)	I/O	Serial Input for single bit data Instructions. IO0 for Dual or Quad Instructions.
SCLK	I	Serial Clock
/HOLD (IO3)	I/O	Hold (pause) serial transfer in single bit or Dual data Instructions. IO3 in Quad-I/O mode. The signal has an internal pull-up resistor and may be left unconnected in the host system if not used for Quad Instructions.
VCC		Core and I/O Power Supply

2.2 Chip Select (/CS)

The chip select signal indicates when a instruction for the device is in process and the other signals are relevant for the memory device. When the /CS signal is at the logic high state, the device is not selected and all input signals are ignored and all output signals are high impedance. Unless an internal Program, Erase or Write Status Registers embedded operation is in progress, the device will be in the Standby Power mode. Driving the /CS input to logic low state enables the device, placing it in the Active Power mode. After Power Up, a falling edge on /CS is required prior to the start of any instruction.

2.3 Serial Clock (SCLK)

This input signal provides the synchronization reference for the SPI interface. Instructions, addresses, or data input are latched on the rising edge of the SCLK signal. Data output changes after the falling edge of SCLK.

2.4 Serial Input (SI)/IO0

This input signal is used to transfer data serially into the device. It receives instructions, addresses, and data to be programmed. Values are latched on the rising edge of serial SCK clock signal.

SI becomes IO0 an input and output during Dual and Quad Instructions for receiving instructions, addresses, and data to be programmed (values latched on rising edge of serial SCK clock signal) as well as shifting out data (on the falling edge of SCK).

2.5 Serial Data Output (SO)/IO1

This output signal is used to transfer data serially out of the device. Data is shifted out on the falling edge of the serial SCK clock signal.

SO becomes IO1 an input and output during Dual and Quad Instructions for receiving instructions, addresses, and data to be programmed (values latched on rising edge of serial SCK clock signal) as well as shifting out data (on the falling edge of SCK).

2.6 Write Protect (/WP)/IO2

When /WP is driven Low (VIL), while the Status Register Protect bits (SRP1 and SRP0) of the Status Registers (SR2[0] and SR1[7]) are set to 0 and 1 respectively, it is not possible to write to the Status Registers. This prevents any alteration of the Status Registers. As a consequence, all the data bytes in the memory area that are protected by the Block Protect, TB, SEC, and CMP bits in the status registers, are also hardware protected against data modification while /WP remains Low. The /WP function is not available when the Quad mode is enabled (QE) in Status Register 2 (SR2[1]=1).

The /WP function is replaced by IO2 for input and output during Quad mode for receiving addresses, and data to be programmed (values are latched on rising edge of the SCK signal) as well as shifting out data (on the falling edge of SCK). /WP has an internal pull-up resistance; when unconnected; /WP is at VIH and may be left unconnected in the host system if not used for Quad mode.

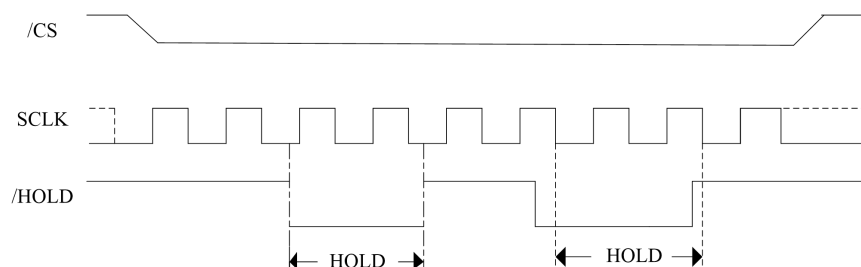
2.7 HOLD (/HOLD)/IO3

The /HOLD function is only available when QE=0, If QE=1, The /HOLD function is disabled, the pin acts as dedicated data I/O pin

The /HOLD signal goes low to stop any serial communications with the device, but doesn't stop the operation of write status register, programming, or erasing in progress.

The operation of HOLD, need /CS keep low, and starts on falling edge of the /HOLD signal, with SCLK signal being low (if SCLK is not being low, HOLD operation will not start until SCLK being low). The HOLD condition ends on rising edge of /HOLD signal with SCLK being low (If SCLK is not being low, HOLD operation will not end until SCLK being low).

The Hold condition starts on the falling edge of the Hold (/HOLD) signal, provided that this coincides with SCK being at the logic low state. If the falling edge does not coincide with the SCK signal being at the logic low state, the Hold condition starts whenever the SCK signal reaches the logic low state. Taking the /HOLD signal to the logic low state does not terminate any Write, Program or Erase operation that is currently in progress.



2.8 VCC Power Supply

VCC is the supply voltage. It is the single voltage used for all device functions including read, program, and erase.

2.9 VSS Ground

VSS is the reference for the VCC supply voltage.

3. Block/Sector Addresses

Table 2. Block/Sector Addresses of BY25Q16BS

Memory Density	Block(64k byte)	Block(32k byte)	Sector No.	Sector Size(KB)	Address range
16Mbit	Block 0	Half block 0	Sector 0	4	000000h-000FFFh
			:	:	:
			Sector 7	4	007000h-007FFFh
		Half block 1	Sector 8	4	008000h-008FFFh
			:	4	:
			Sector 15	4	00F000h-00FFFFh
	Block 1	Half block 2	Sector 16	4	010000h-010FFFh
			:	:	:
			Sector 23	4	017000h-017FFFh
		Half block 3	Sector 24	4	018000h-018FFFh
			:	:	:
			Sector 31	4	01F000h-01FFFFh
	:	:	:	:	:
	Block 30	Half block 60	Sector 480	4	1E0000h-1E0FFFh
			:	:	:
			Sector 487	4	1E7000h-1E7FFFh
		Half block 61	Sector 488	4	1E8000h-1E8FFFh
			:	:	:
			Sector 495	4	1EF000h-1EFFFFh
	Block 31	Half block 62	Sector 496	4	1F0000h-1F0FFFh
			:	:	:
			Sector 503	4	1F7000h-1F7FFFh
		Half block 63	Sector 504	4	1F8000h-1F8FFFh
			:	:	:
			Sector 511	4	1FF000h-1FFFFFFh

Notes:

1. Block = Uniform Block, and the size is 64K bytes.
2. Half block = Half Uniform Block, and the size is 32k bytes.
3. Sector = Uniform Sector, and the size is 4K bytes.

4. SPI Operation

4.1 Standard SPI Instructions

The BY25Q16BS features a serial peripheral interface on 4 signals bus: Serial Clock (SCLK), Chip Select (/CS), Serial Data Input (SI) and Serial Data Output (SO). Both SPI bus mode 0 and 3 are supported. Input data is latched on the rising edge of SCLK and data shifts out on the falling edge of SCLK.

4.2 Dual SPI Instructions

The BY25Q16BS supports Dual SPI operation when using the “Dual Output Fast Read” (3BH), “Dual I/O Fast Read” (BBH) and “Read Manufacture ID/Device ID Dual I/O” (92H) instructions. These instructions allow data to be transferred to or from the device at two times the rate of the standard SPI. When using the Dual SPI instruction the SI and SO pins become bidirectional I/O pins: IO0 and IO1.

4.3 Quad SPI Instructions

The BY25Q16BS supports Quad SPI operation when using the “Quad Output Fast Read”(6BH), “Quad I/O Fast Read” (EBH) ,”Quad I/O word Fast Read”(E7H),”Read Manufacture ID/Device ID Quad I/O”(94H) and “Quad Page Program”(32H) instructions. These instructions allow data to be transferred to or from the device at four times the rate of the standard SPI. When using the Quad SPI instruction the SI and SO pins become bidirectional I/O pins: IO0 and IO1, and /WP and /HOLD pins become IO2 and IO3. Quad SPI instructions require the non-volatile Quad Enable bit (QE) in Status Register to be set.

4.4 QPI Instructions

The BY25Q16BS supports Quad Peripheral Interface (QPI) operations only when the device is switched from Standard/Dual/Quad SPI mode to QPI mode using the “Enter QPI (38h)” instruction. The typical SPI protocol requires that the byte-long instruction code being shifted into the device only via DI pin in eight serial clocks. The QPI mode utilizes all four IO pins to input the instruction code, thus only two serial clocks are required. This can significantly reduce the SPI instruction overhead and improve system performance in an XIP environment. Standard/Dual/Quad SPI mode and QPI mode are exclusive. Only one mode can be active at any given time. “Enter QPI (38h)” and “Exit QPI (FFh)” instructions are used to switch between these two modes. Upon power-up or after a software reset using “Enable Reset (66h)” and “Reset (99h)” instruction, the default state of the device is Standard/Dual/Quad SPI mode. To enable QPI mode, the non-volatile Quad Enable bit (QE) in Status Register-2 is required to be set to 1. When using QPI instructions, the DI and DO pins become bidirectional IO0 and IO1, and the /WP and /HOLD pins become IO2 and IO3 respectively.

5. Operation Features

5.1 Supply Voltage

5.1.1 Operating Supply Voltage

Prior to selecting the memory and issuing instructions to it, a valid and stable VCC voltage within the specified [VCC(min), VCC(max)] range must be applied (see [8.2 operating ranges](#)). In order to secure a stable DC supply voltage, it is recommended to decouple the VCC line with a suitable capacitor (usually of the order of 10nF to 100nF) close to the VCC/VSS package pins. This voltage must remain stable and valid until the end of the transmission of the instruction and, for a Write instruction, until the completion of the internal write cycle (tW).

5.1.2 Power-up Conditions

When the power supply is turned on, VCC rises continuously from VSS to VCC. During this time, the Chip Select (/CS) line is not allowed to float but should follow the VCC voltage, it is therefore recommended to connect the /CS line to VCC via a suitable pull-up resistor.

In addition, the Chip Select (/CS) input offers a built-in safety feature, as the /CS input is edge sensitive as well as level sensitive: after power-up, the device does not become selected until a falling edge has first been detected on Chip Select (/CS). This ensures that Chip Select (/CS) must have been High, prior to going Low to start the first operation.

5.1.3 Device Reset

In order to prevent inadvertent Write operations during power-up (continuous rise of VCC), a power on reset (POR) circuit is included. At Power-up, the device does not respond to any instruction until VCC has reached the power on reset threshold voltage (this threshold is lower than the minimum VCC operating voltage defined in [Power-up Timing](#)).

When VCC is lower than V_{WI} , the device is reset.

5.1.4 Power-down

At Power-down (continuous decrease in VCC), as soon as VCC drops from the normal operating voltage to below the power on reset threshold voltage, the device stops responding to any instruction sent to it. During Power-down, the device must be deselected (Chip Select (/CS) should be allowed to follow the voltage applied on VCC) and in Standby Power mode (that is there should be no internal Write cycle in progress).

5.2 Active Power and Standby Power Modes

When Chip Select (/CS) is Low, the device is selected, and in the Active Power mode. The device consumes ICC.

When Chip Select (/CS) is High, the device is deselected. If a Write cycle is not currently in progress, the device then goes in to the Standby Power mode, and the device consumption drops to ICC1.

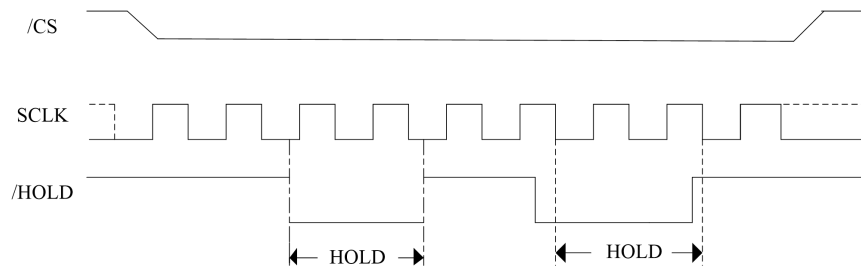
5.3 Hold Condition

The Hold (/HOLD) signal is used to pause any serial communications with the device without resetting the clocking sequence. During the Hold condition, the Serial Data Output (SO) is high impedance, and Serial Data Input (SI) and Serial Clock (SCLK) are Don't Care. To enter the Hold condition, the device must be selected, with Chip Select (/CS) Low. Normally, the device is kept

selected, for the whole duration of the Hold condition. Deselecting the device while it is in the Hold condition, has the effect of resetting the state of the device, and this mechanism can be used if it is required to reset any processes that had been in progress.

The Hold condition starts when the Hold (/HOLD) signal is driven Low at the same time as Serial Clock (SCLK) already being Low (as shown in [Figure 4](#)). The Hold condition ends when the Hold (HOLD) signal is driven High at the same time as Serial Clock (C) already being Low. [Figure 4](#) also shows what happens if the rising and falling edges are not timed to coincide with Serial Clock (SCLK) being Low.

Figure 4. Hold condition activation



5.4 Status Register

5.4.1 Status Register Table

See [Table 3](#) for detail description of the Status Register bits. Status Register-2 (SR2) and Status Register-1 (SR1) can be used to provide status on the availability of the Flash memory array: whether the device is write enabled or disabled, the state of write protection, Quad SPI setting, Security Register lock status, and Erase/Program Suspend status, output driver strength, and so on.

See [Table 3](#) for detail description of the Status Register bits.

Table 3. Status Register

S23	S22	S21	S20	S19	S18	S17	S16
Reserved	DRV1	DRV0	Reserved	Reserved	Reserved	Reserved	Reserved

S15	S14	S13	S12	S11	S10	S9	S8
SUS1	CMP	LB3	LB2	LB1	SUS2	QE	SRP1

S7	S6	S5	S4	S3	S2	S1	S0
SRP0	BP4	BP3	BP2	BP1	BP0	WEL	WIP

5.4.2 The Status and Control Bits

5.4.2.1 WIP bit

The Write in Progress (WIP) bit indicates whether the memory is busy in program/erase/write status register progress. When WIP bit sets to 1, means the device is busy in program/erase/write status register progress, when WIP bit sets 0, means the device is not in program/erase/write status register progress.

5.4.2.2 WEL bit

The Write Enable Latch bit indicates the status of the internal Write Enable Latch. When set to 1 the internal Write Enable Latch is set, when set to 0 the internal Write Enable Latch is reset and no Write Status Register, Program or Erase instruction is accepted.

5.4.2.3 BP4, BP3, BP2, BP1, BP0 bits

The Block Protect (BP4, BP3, BP2, BP1, BP0) bits are non-volatile. They define the size of the area to be software protected against Program and Erase instructions. These bits are written with the Write Status Register instruction. When the Block Protect (BP4, BP3, BP2, BP1, BP0) bits are set to 1, the relevant memory area (as defined in [Table 5](#) and [Table 6](#)).becomes protected against Page Program, Sector Erase and Block Erase instructions. The Block Protect (BP4, BP3, BP2, BP1, BP0) bits can be written provided that the Hardware Protected mode has not been set. The Chip Erase(CE) instruction is executed, if the Block Protect(BP2,BP1,BP0)bits are 0 and CMP=0 or The Block Protect (BP2, BP1, BP0) bits are1 and CMP=1.

5.4.2.4 SRP1, SRP0 bits

The Status Register Protect (SRP1 and SRP0) bits are non-volatile Read/Write bits in the status register. The SRP bits control the method of write protection: software protection, hardware protection, power supply lock-down or one time programmable protection.

5.4.2.5 QE bit

The Quad Enable (QE) bit is a non-volatile Read/Write bit in the Status Register that allows Quad SPI and QPI operation. When the QE bit is set to 0 (Default) the /WP pin and /HOLD pin are enable. When the QE pin is set to 1, the Quad IO2 and IO3 pins are enabled. (The QE bit should never be set to 1 during standard SPI or Dual SPI operation if the /WP or /HOLD pins directly to the power supply).

QE bit is required to be set to 1 before issuing an “Enter QPI (38h)” instruction to switch the device from Standard/Dual/Quad SPI mode to QPI mode; otherwise the command (38h) will be ignored. When the device is in QPI mode, QE bit will remain to be 1. A “Write Status Register” command in QPI mode cannot change QE bit from 1 to 0.

5.4.2.6 LB3/LB2/LB1 bit

The LB bit is a non-volatile One Time Program (OTP) bit in Status Register (S13–S11) that provide the write protect control and status to the Security Registers. The default state of LB is 0, the security registers are unlocked. LB can be set to 1 individually using the Write Register instruction. LB is One Time Programmable, once they are set to 1, the Security Registers will become read-only permanently.

5.4.2.7 CMP bit

The CMP bit is a non-volatile Read/Write bit in the Status Register (S14). It is used in conjunction the BP4-BP0 bits to provide more flexibility for the array protection. Please see the Status registers Memory Protection table for details. The default setting is CMP=0.

5.4.2.8 SUS1/SUS2 bit

The SUS1 and SUS2 bits are read only bits in the status register2 (S15 and S10) that are set to 1 after executing an Erase/Program Suspend (75H) instruction (The Erase Suspend will set SUS1 to 1, and the Program Suspend will set the SUS2 to 1). The SUS1 and SUS2 bits are cleared to 0 by Erase/Program Resume (7AH) instruction as well as a power-down, power-up cycle.

5.4.2.9 DRV1/DRV0

The DRV1&DRV0 bits are used to determine the output driver strength for the Read instruction.

DRV1, DRV0	Driver Strength
00	100%(default)
01	75%
10	50%
11	25%

5.4.3 Status Register Protect Table

The Status Register Protect (SRP1 and SRP0) bits are non-volatile Read/Write bits in the Status Register. The SRP bits control the method of write protection: software protection, hardware protection, power supply lock-down or one time programmable protection.

Table 4. Status Register protect table

SRP1	SRP0	/WP	Status Register	Description
0	0	X	Software Protected	The Status Register can be written to after a Write Enable instruction, WEL=1.(Factory Default)
0	1	0	Hardware Protected	/WP=0, the Status Register locked and cannot be written.
0	1	1	Hardware Unprotected	/WP=1, the Status Register is unlocked and can be written to after a Write Enable instruction, WEL=1.
1	0	X	Power Supply Lock-Down ⁽¹⁾	Status Register is protected and cannot be written to again until the next Power-Down, Power-Up cycle.
1	1	X	One Time Program ⁽²⁾	Status Register is permanently protected and cannot be written to.

Notes:

1. When SRP1, SRP0= (1, 0), a Power-Down, Power-Up cycle will change SRP1, SRP0 to (0, 0) state.
2. The One time Program feature is available upon special order. Please contact BY Technology for details.

5.4.4 Write Protect Features

1. Software Protection: The Block Protect (BP4, BP3, BP2, BP1, BP0) bits define the section of the memory array that can be read but not change.
2. Hardware Protection: /WP going low to protected the writable bits of Status Register.
3. Deep Power-Down: In Deep Power-Down Mode, all instructions are ignored except the Release from deep Power-Down Mode instruction.
4. Write Enable: The Write Enable instruction is set the Write Enable Latch bit. The WEL bit will return to reset by following situation:
 - Power –up
 - Write Disable
 - Write Status Register (Whether the SR is protected, WEL will return to reset)
 - Write Extended Address Register (when in 3-Byte Address Mode)
 - Page Program (Whether the program area is protected, WEL will return to reset)
 - Sector Erase/Block Erase/Chip Erase (Whether the erase area is protected, WEL will return to reset)
 - Software Reset
5. One Time Program (OTP) write protection for array and Security Registers using Status Register.

5.4.5 Status Register Memory Protection

5.4.5.1 Protect Table

Table 5. BY25Q16BS Status Register Memory Protection (CMP=0)

Status Register Content					Memory Content			
BP4	BP3	BP2	BP1	BP0	Blocks	Addresses	Density	Portion
X	X	0	0	0	NONE	NONE	NONE	NONE
0	0	0	0	1	31	1F0000H-1FFFFFFH	64KB	Upper 1/32
0	0	0	1	0	30 to 31	1E0000H-1FFFFFFH	128KB	Upper 1/16
0	0	0	1	1	28 to 31	1C0000H-1FFFFFFH	256KB	Upper 1/8
0	0	1	0	0	24 to 31	180000H-1FFFFFFH	512KB	Upper 1/4
0	0	1	0	1	16 to 31	100000H-1FFFFFFH	1MB	Upper 1/2
0	1	0	0	1	0	000000H-00FFFFH	64KB	Lower 1/32
0	1	0	1	0	0 to 1	000000H-01FFFFH	128KB	Lower 1/16
0	1	0	1	1	0 to 3	000000H-03FFFFH	256KB	Lower 1/8
0	1	1	0	0	0 to 7	000000H-07FFFFH	512KB	Lower 1/4
0	1	1	0	1	0 to 15	000000H-0FFFFFFH	1MB	Lower 1/2
X	X	1	1	X	0 to 31	000000H-1FFFFFFH	2MB	ALL
1	0	0	0	1	31	1FF000H-1FFFFFFH	4KB	Top Block
1	0	0	1	0	31	1FE000H-1FFFFFFH	8KB	Top Block
1	0	0	1	1	31	1FC000H-1FFFFFFH	16KB	Top Block
1	0	1	0	X	31	1F8000H-1FFFFFFH	32KB	Top Block
1	1	0	0	1	0	000000H-000FFFH	4KB	Bottom Block
1	1	0	1	0	0	000000H-001FFFH	8KB	Bottom Block
1	1	0	1	1	0	000000H-003FFFH	16KB	Bottom Block
1	1	1	0	X	0	000000H-007FFFH	32KB	Bottom Block

Table 6 BY25Q16BS Status Register Memory Protection (CMP=1)

Status Register Content					Memory Content			
BP4	BP3	BP2	BP1	BP0	Blocks	Addresses	Density	Portion
X	X	0	0	0	0 to 31	000000H-1FFFFFFH	2MB	ALL
0	0	0	0	1	0 to 30	000000H-1EFFFFFFH	1984KB	Lower 31/32
0	0	0	1	0	0 to 29	000000H-1DFFFFFFH	1920KB	Lower 15/16
0	0	0	1	1	0 to 27	000000H-1BFFFFFFH	1792KB	Lower 7/8
0	0	1	0	0	0 to 23	000000H-17FFFFFFH	1534KB	Lower 3/4
0	0	1	0	1	0 to 15	000000H-0FFFFFFH	1MB	Lower 1/2
0	1	0	0	1	1 to 31	010000H-1FFFFFFH	1984KB	Upper 31/32
0	1	0	1	0	2 to 31	020000H-1FFFFFFH	1920KB	Upper 15/16
0	1	0	1	1	4 to 31	040000H-1FFFFFFH	1792KB	Upper 7/8
0	1	1	0	0	8 to 31	080000H-1FFFFFFH	1534KB	Upper 3/4
0	1	1	0	1	16 to 31	100000H-1FFFFFFH	1MB	Upper 1/2
X	X	1	1	X	NONE	NONE	NONE	NONE
1	0	0	0	1	0 to 31	000000H-1FEFFFFH	2044KB	L-511/512
1	0	0	1	0	0 to 31	000000H-1FDFFFFH	2040KB	L-255/256
1	0	0	1	1	0 to 31	000000H-1FBFFFFH	2032KB	L-127/128
1	0	1	0	X	0 to 31	000000H-1F7FFFFH	2016KB	L-63/64
1	1	0	0	1	0 to 31	001000H-1FFFFFFH	2044KB	U-511/512
1	1	0	1	0	0 to 31	002000H-1FFFFFFH	2040KB	U-255/256
1	1	0	1	1	0 to 31	004000H-1FFFFFFH	2032KB	U-127/128
1	1	1	0	X	0 to 31	008000H-1FFFFFFH	2016KB	U-63/64

6. Device Identification

Three legacy Instructions are supported to access device identification that can indicate the manufacturer, device type, and capacity (density). The returned data bytes provide the information as shown in the below table.

Table 7. BY25Q16BS ID Definition table

Operation Code	M7-M0	ID15-ID8	ID7-ID0
9FH	68	40	15
90H/92H/94H	68		14
ABH			14

7. Instructions Description

All instructions, addresses and data are shifted in and out of the device, beginning with the most significant bit on the first rising edge of SCLK after /CS is driven low. Then, the one byte instruction code must be shifted in to the device, most significant bit first on SI, each bit being latched on the rising edges of SCLK.

See [Table 8/9/10](#), every instruction sequence starts with a one-byte instruction code. Depending on the instruction, this might be followed by address bytes, or by data bytes, or by both or none. /CS must be driven high after the last bit of the instruction sequence has been shifted in. For the instruction of Read, Fast Read, Read Status Register or Release from Deep Power Down, and Read Device ID, the shifted-in instruction sequence is followed by a data out sequence. /CS can be driven high after any bit of the data-out sequence is being shifted out.

For the instruction of Page Program, Sector Erase, Block Erase, Chip Erase, Write Status Register, Write Enable, Write Disable or Deep Power-Down instruction, /CS must be driven high exactly at a byte boundary, otherwise the instruction is rejected, and is not executed. That is /CS must be driven high when the number of clock pulses after /CS being driven low is an exact multiple of eight. For Page Program, if at any time the input byte is not a full byte, nothing will happen and WEL will not be reset.

Table 8. Instruction Set Table 1 (Standard/Dual/Quad SPI Instructions)⁽¹⁾

Instruction Name	Byte 1	Byte 2	Byte 3	Byte 4	Byte 5	Byte 6
Write Enable	06h					
Volatile SR Write Enable	50h					
Write Disable	04h					
Read Status Register-1	05h	(S7-S0) ⁽²⁾				
Write Status Register-1 ⁽⁴⁾	01h	(S7-S0) ⁽⁴⁾				
Read Status Register-2	35h	(S15-S8) ⁽²⁾				
Write Status Register-2	31h	(S15-S8)				
Read Status Register-3	15h	(S23-S16) ⁽²⁾				
Write Status Register-3	11h	(S23-S16)				
Chip Erase	C7h/60h					
Erase Suspend	75h					
Erase Resume	7Ah					
Power-down	B9h					
Release Power-down / ID	ABh	Dummy	Dummy	Dummy	(ID7-ID0) ⁽²⁾	
Manufacturer/Device ID	90h	Dummy	Dummy	00h	(MF7-MF0)	(ID7-ID0) ⁽²⁾
JEDEC ID	9Fh	(MF7-MF0)	(ID15-ID8)	(ID7-ID0) ⁽²⁾		
Enter QPI Mode	38h					
Enable Reset	66h					
Reset Device	99h					
Read Serial Flash Discoverable Parameter	5Ah	A23-A16	A15-A8	A7-A0	Dummy	(D7-D0) Next bytes
Instruction Name	Byte 1	Byte 2	Byte 3	Byte 4	Byte 5	Byte 6 ~ Byte 13
Read Unique ID	4Bh	Dummy	Dummy	Dummy	Dummy	(UID63-UID0)

Table 9. Instruction Set Table 2 (Standard/Dual/Quad SPI Instructions)⁽¹⁾

Instruction Name	Byte 1	Byte 2	Byte 3	Byte 4	Byte 5	Byte 6	Byte 7	Byte 8	Byte 9
Page Program	02h	A23-A16	A15-A8	A7-A0	D7-D0 ⁽³⁾	Next bytes			
Quad Page Program	32h	A23-A16	A15-A8	A7-A0	D7-D0 ⁽³⁾⁽⁹⁾	Next bytes			
Sector Erase (4KB)	20h	A23-A16	A15-A8	A7-A0					
Block Erase (32KB)	52h	A23-A16	A15-A8	A7-A0					
Block Erase (64KB)	D8h	A23-A16	A15-A8	A7-A0					
Read Data	03h	A23-A16	A15-A8	A7-A0	(D7-D0)	(D7-D0)	Next bytes		
Fast Read	0Bh	A23-A16	A15-A8	A7-A0	Dummy	(D7-D0)	Next bytes		
Fast Read Dual Output	3Bh	A23-A16	A15-A8	A7-A0	Dummy	(D7-D0) ⁽⁷⁾	Next bytes		
Fast Read Quad Output	6Bh	A23-A16	A15-A8	A7-A0	Dummy	(D7-D0) ⁽⁹⁾	Next bytes		
Erase Security Register ⁽⁵⁾	44h	A23-A16	A15-A8	A7-A0					
Program Security Register ⁽⁵⁾	42h	A23-A16	A15-A8	A7-A0	D7-D0 ⁽³⁾	Next bytes			
Read Security Register ⁽⁵⁾	48h	A23-A16	A15-A8	A7-A0	Dummy	(D7-D0)	Next bytes		
Fast Read Dual I/O	BBh	A23-A16 ⁽⁶⁾	A15-A8 ⁽⁶⁾	A7-A0 ⁽⁶⁾	M7-M0 ⁽⁶⁾	(D7-D0) ⁽⁷⁾			
Mftr./Device ID Dual I/O	92h	A23-A16 ⁽⁶⁾	A15-A8 ⁽⁶⁾	A7-A0 ⁽⁶⁾	M7-M0 ⁽⁶⁾	(MF7-MF0) ⁽⁷⁾	(D7-D0) ⁽⁷⁾		
Set Burst with Wrap	77h	Dummy	Dummy	Dummy	W8-W0				
Fast Read Quad I/O ⁽¹⁰⁾	EBh	A23-A16 ⁽⁸⁾	A15-A8 ⁽⁸⁾	A7-A0 ⁽⁸⁾	M7-M0 ⁽⁸⁾	Dummy	Dummy	(D7-D0) ⁽⁹⁾	Next byte
Word Read Quad I/O ^{(11) (12)}	E7h	A23-A16 ⁽⁶⁾	A15-A8 ⁽⁸⁾	A7-A0 ⁽⁸⁾	M7-M0 ⁽⁶⁾	Dummy	(D7-D0) ⁽⁹⁾	Next bytes	
Octal Word Read Quad I/O ⁽¹³⁾	E3h	A23-A16 ⁽⁸⁾	A15-A8 ⁽⁸⁾	A7-A0 ⁽⁸⁾	M7-M0 ⁽⁸⁾	(D7-D0) ⁽⁹⁾	Next bytes		
Mftr./Device ID Quad I/O	94h	A23-A16 ⁽⁸⁾	A15-A8 ⁽⁸⁾	A7-A0 ⁽⁸⁾	M7-M0 ⁽⁸⁾	Dummy	Dummy	(MF7-MF0) ⁽⁹⁾	(ID7-ID0) ⁽⁹⁾

Table 10. Instruction Set Table 3 (QPI Instructions) ⁽¹⁴⁾

Instruction Name	Byte 1	Byte 2	Byte 3	Byte 4	Byte 5	Byte 6
Write Enable	06h					
Volatile SR Write Enable	50h					
Write Disable	04h					
Read Status Register-1	05h	(S7-S0) ⁽²⁾				
Write Status Register-1 ⁽⁴⁾	01h	(S7-S0) ⁽⁴⁾				
Read Status Register-2	35h	(S15-S8) ⁽²⁾				
Write Status Register-2	31h	(S15-S8)				
Read Status Register-3	15h	(S23-S16) ⁽²⁾				
Write Status Register-3	11h	(S23-S16)				
Chip Erase	C7h/60h					
Erase Suspend	75h					
Erase Resume	7Ah					
Power-down	B9h					
Set Read Parameters	C0h	P7-P0				
Release Powerdown / ID	ABh	Dummy	Dummy	Dummy	(ID7-ID0) ⁽²⁾	
JEDEC ID	9Fh	(MF7-MF0) ⁽²⁾	(ID15-ID8) ⁽²⁾	(ID7-ID0) ⁽²⁾		
Exit QPI Mode	FFh					
Enable Reset	66h					
Reset Device	99h					
Page Program	02h	A23-A16	A15-A8	A7-A0	D7-D0 ⁽³⁾⁽⁹⁾	Next bytes
Sector Erase (4KB)	20h	A23-A16	A15-A8	A7-A0		
Block Erase (32KB)	52h	A23-A16	A15-A8	A7-A0		
Block Erase (64KB)	D8h	A23-A16	A15-A8	A7-A0		
Fast Read	0Bh	A23-A16	A15-A8	A7-A0	Dummy ⁽¹⁵⁾	(D7-D0)
Burst Read with Wrap ⁽¹⁶⁾	0Ch	A23-A16	A15-A8	A7-A0	Dummy ⁽¹⁵⁾	(D7-D0)
Fast Read Quad I/O	EBh	A23-A16	A15-A8	A7-A0	M7-M0 ⁽¹⁵⁾	(D7-D0)

Notes:

- Data bytes are shifted with Most Significant Bit first. Byte fields with data in parenthesis “()” indicate data output from the device on 1, 2 or 4 IO pins.
- The Status Register contents and Device ID will repeat continuously until /CS terminates the instruction.
- At least one byte of data input is required for Page Program, Quad Page Program and Program Security Registers, up to 256 bytes of data input. If more than 256 bytes of data are sent to the device, the addressing will wrap to the beginning of the page and overwrite previously sent data.
- Write Status Register-1 (01h) can also be used to program Status Register-1&2, see [section 7.1.4](#).
- Security Register Address:

Security Register 1	A23-16 = 00h	A15-8 = 10h	A7-0 = byte address
Security Register 2	A23-16 = 00h	A15-8 = 20h	A7-0 = byte address
Security Register 3	A23-16 = 00h	A15-8 = 30h	A7-0 = byte address

- Dual SPI address input format:
IO0 = A22, A20, A18, A16, A14, A12, A10, A8, A6, A4, A2, A0, M6, M4, M2, M0
IO1 = A23, A21, A19, A17, A15, A13, A11, A9, A7, A5, A3, A1, M7, M5, M3, M1
- Dual SPI data output format:
IO0 = (D6, D4, D2, D0)
IO1 = (D7, D5, D3, D1)
- Quad SPI address input format:
IO0 = A20, A16, A12, A8, A4, A0, M4, M0
IO1 = A21, A17, A13, A9, A5, A1, M5, M1
IO2 = A22, A18, A14, A10, A6, A2, M6, M2

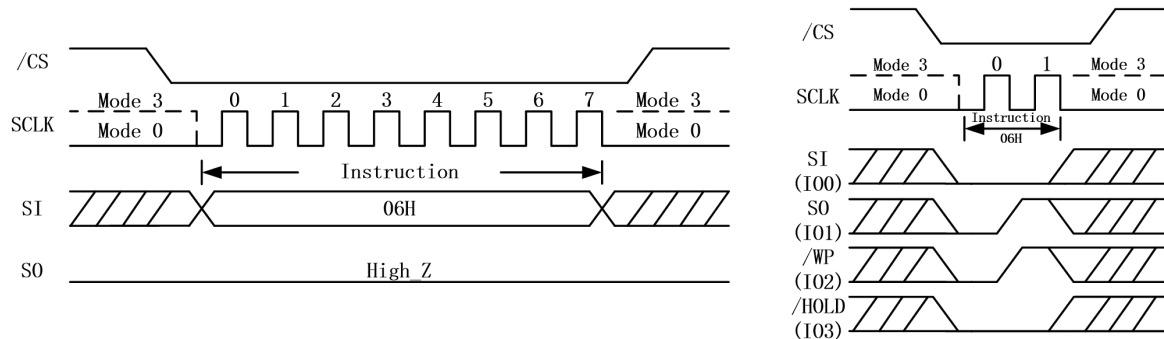
- IO3 = A23, A19, A15, A11, A7, A3, M7, M3
9. Quad SPI data input/output format:
 IO0 = (D4, D0,)
 IO1 = (D5, D1,)
 IO2 = (D6, D2,)
 IO3 = (D7, D3,)
10. Fast Read Quad I/O data output format:
 IO0 = (x, x, x, x, D4, D0, D4, D0)
 IO1 = (x, x, x, x, D5, D1, D5, D1)
 IO2 = (x, x, x, x, D6, D2, D6, D2)
 IO3 = (x, x, x, x, D7, D3, D7, D3)
11. Word Read Quad I/O data output format:
 IO0 = (x, x, D4, D0, D4, D0, D4, D0)
 IO1 = (x, x, D5, D1, D5, D1, D5, D1)
 IO2 = (x, x, D6, D2, D6, D2, D6, D2)
 IO3 = (x, x, D7, D3, D7, D3, D7, D3)
12. For Word Read Quad I/O, the lowest address bit must be 0. (A0 = 0)
13. For Octal Word Read Quad I/O, the lowest four address bits must be 0. (A3, A2, A1, A0 = 0)
14. QPI Command, Address, Data input/output format:
- | CLK # | 0 | 1 | 2 | 3 | 4 | 5 | 6 | 7 | 8 | 9 | 10 | 11 |
|-------|---------|---|-----------|---|-----------|---|---------|---|---------|---|--------|----|
| IO0 = | C4, C0, | | A20, A16, | | A12, A8, | | A4, A0, | | D4, D0, | | D4, D0 | |
| IO1 = | C5, C1, | | A21, A17, | | A13, A9, | | A5, A1, | | D5, D1, | | D5, D1 | |
| IO2 = | C6, C2, | | A22, A18, | | A14, A10, | | A6, A2, | | D6, D2, | | D6, D2 | |
| IO3 = | C7, C3, | | A23, A19, | | A15, A11, | | A7, A3, | | D7, D3, | | D7, D3 | |
15. The number of dummy clocks for QPI Fast Read, QPI Fast Read Quad I/O & QPI Burst Read with Wrap is controlled by read parameter P7 – P4.
16. The wrap around length for QPI Burst Read with Wrap is controlled by read parameter P3 – P0.

7.1 Configuration and Status Instructions

7.1.1 Write Enable (06H)

See [Figure 5](#), the Write Enable instruction is for setting the Write Enable Latch bit. The Write Enable Latch bit must be set prior to every Page Program, Sector Erase, Block Erase, Chip Erase, Write Status Register instruction and Erase/Program Security Registers instruction. The Write Enable instruction sequence: /CS goes low sending the Write Enable instruction /CS goes high.

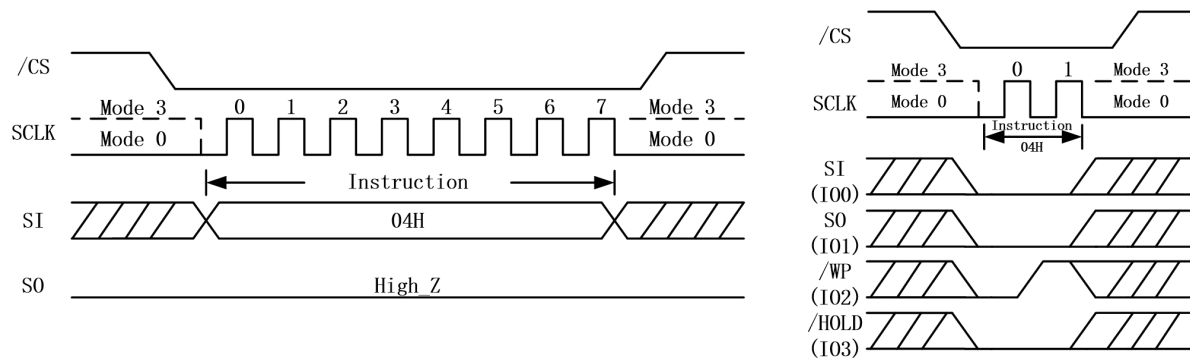
Figure 5. Write Enable Sequence Diagram for SPI Mode (left) or QPI Mode (right)



7.1.2 Write Disable (04H)

See [Figure 6](#), the Write Disable instruction is for resetting the Write Enable Latch bit. The Write Disable instruction sequence: /CS goes low -> sending the Write Disable instruction -> /CS goes high. The WEL bit is reset by following condition: Power-up and upon completion of the Write Status Register, Page Program, Sector Erase, Block Erase and Chip Erase, Erase/Program Security Registers and Reset instructions.

Figure 6. Write Disable Sequence Diagram for SPI Mode (left) or QPI Mode (right)



7.1.3 Read Status Register (05H or 35H or 15H)

See [Figure 7.a\(SPI mode\)](#) & [Figure 7.b \(QPI mode\)](#) the Read Status Register (RDSR) instruction is for reading the Status Register. The Status Register may be read at any time, even while a Program, Erase or Write Status Register cycle is in progress. When one of these cycles is in progress, it is recommended to check the Write in Progress (WIP) bit before sending a new instruction to the device. It is also possible to read the Status Register continuously. For instruction code “05H”, the SO will output Status Register bits S7~S0. The instruction code “35H”, the SO will output Status Register bits S15~S8, The instruction code “15H”, the SO will output Status Register bits S23~16.

Figure 7.a. Read Status Register Sequence Diagram (SPI Mode)

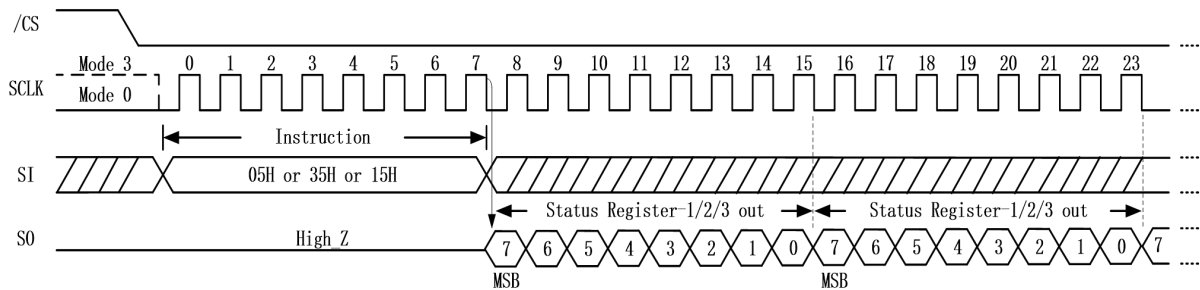
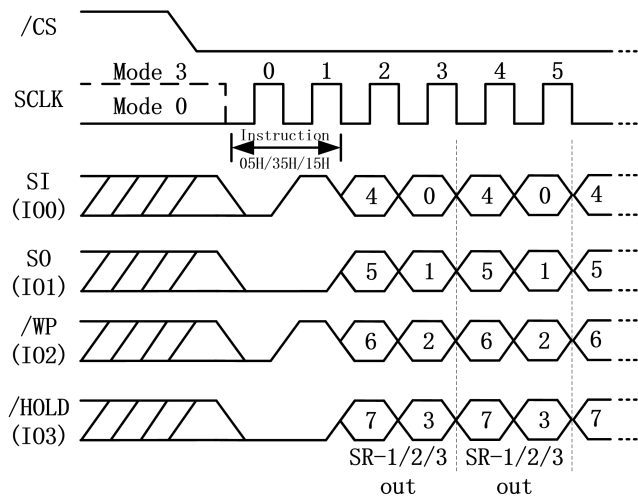


Figure 7.b. Read Status Register Sequence Diagram (QPI Mode)



7.1.4 Write Status Register (01H or 31H or 11H)

See [Figure 8.a \(SPI mode\)](#) & [Figure 8.b \(QPI mode\)](#), the Write Status Register instruction allows new values to be written to the Status Register. Before it can be accepted, a Write Enable instruction must previously have been executed. After the Write Enable instruction has been decoded and executed, the device sets the Write Enable Latch (WEL).

The Write Status Register instruction has no effect on S23, S20, S19, S18, S17, S16, S15, S1 and S0 of the Status Register. /CS must be driven high after the eighth or sixteen bit of the data byte has been latched in. If not, the Write Status Register instruction is not executed. As soon as /CS is driven high, the self-timed Write Status Register cycle (whose duration is t_w) is initiated. While the Write Status Register cycle is in progress, the Status Register may still be read to check the value of the Write in Progress (WIP) bit. The Write in Progress (WIP) bit is 1 during the self-timed Write Status Register cycle, and is 0 when it is completed. When the cycle is completed, the Write Enable Latch is reset.

The Write Status Register instruction allows the user to change the values of the Block Protect (BP4, BP3, BP2, BP1, BP0) bits, to define the size of the area that is to be treated as read-only, as defined in [Table 3](#). The Write Status Register instruction also allows the user to set or reset the Status Register Protect (SRP1 and SRP0) bits in accordance with the Write Protect (/WP) signal. The Status Register Protect (SRP1 and SRP0) bits and Write Protect (/WP) signal allow the device to be put in the Hardware Protected Mode. The Write Status Register instruction is not executed once the Hardware Protected Mode is entered.

Figure 8.a. Write Status Register Sequence Diagram (SPI mode)

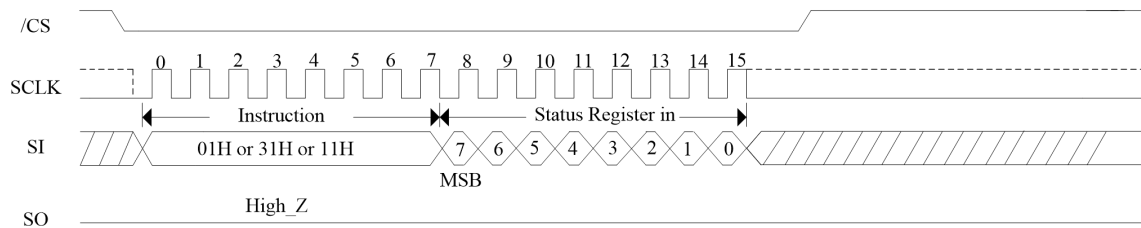
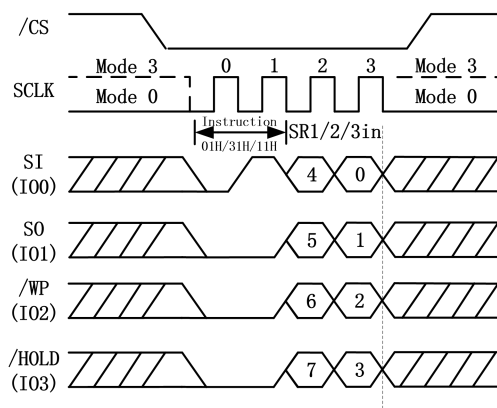


Figure 8.b. Write Status Register Sequence Diagram (QPI mode)



The BY25Q16BS is also backward compatible to BY Technology's previous generations of serial flash memories, in which the Status Register-1&2 can be written using a single "Write Status Register-1 (01h)" command. To complete the Write Status Register- 1&2 instruction, the /CS pin must be driven high after the sixteenth bit of data that is clocked in as shown in [Figure 8.c](#)(SPI mode) & [Figure 8.d](#)(QPI mode). If /CS is driven high after the eighth clock, the Write Status Register-1 (01h) instruction will only program the Status Register-1, the Status Register-2 will not be affected (Previous generations will clear CMP and QE bits).

Figure 8.c. Write Status Register-1/2 Instruction (SPI Mode)

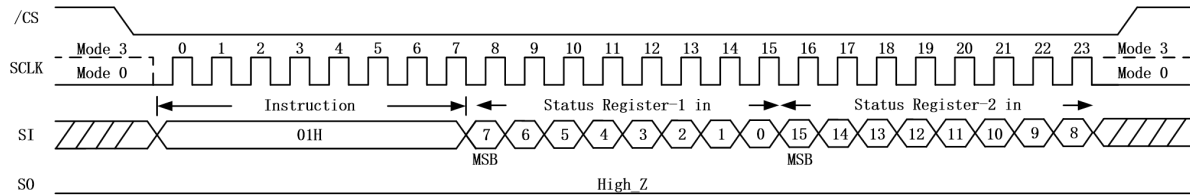
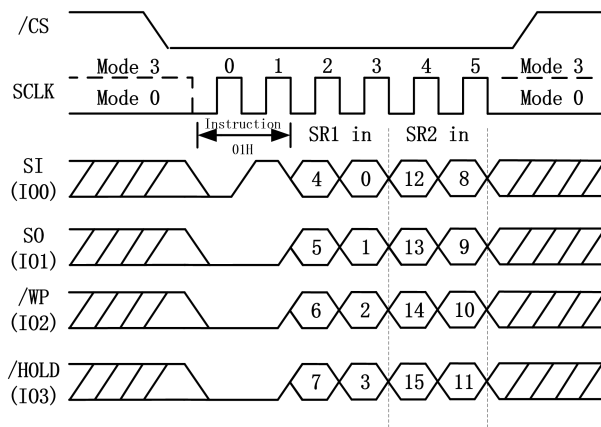


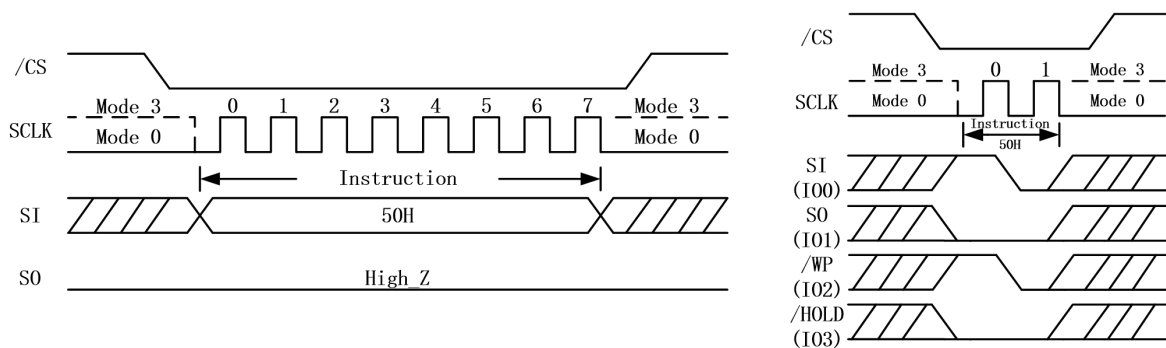
Figure 8.d. Write Status Register-1/2 Instruction (QPI Mode)



7.1.5 Write Enable for Volatile Status Register (50H)

See [Figure 9](#), the non-volatile Status Register bits can also be written to as volatile bits. This gives more flexibility to change the system configuration and memory protection schemes quickly without waiting for the typical non-volatile bit write cycles or affecting the endurance of the Status Register non-volatile bits. Write Enable for Volatile Status Register instruction will not set the Write Enable Latch bit, it is only valid for the Write Status Registers instruction to change the volatile Status Register bit values.

Figure 9. Write Enable for Volatile Status Register Instruction for SPI Mode (left) or QPI Mode (right)



7.1.6 Enter QPI Mode (38H)

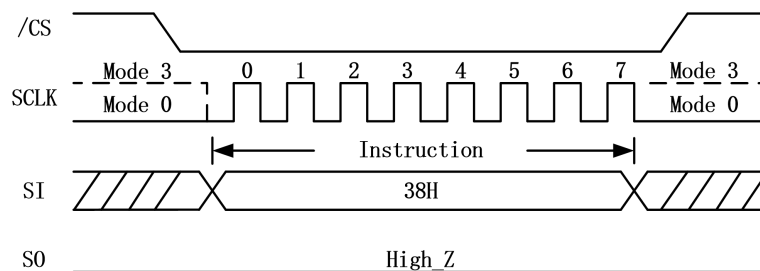
The BY25Q16BS support both Standard/Dual/Quad Serial Peripheral Interface (SPI) and Quad Peripheral Interface (QPI). However, SPI mode and QPI mode cannot be used at the same time. “Enter QPI (38h)” instruction is the only way to switch the device from SPI mode to QPI mode.

Upon power-up, the default state of the device upon is Standard/Dual/Quad SPI mode. This provides full backward compatibility with earlier generations of BY Technology serial flash memories. See [Instruction Set Table 1- 2](#) for all supported SPI commands. In order to switch the device to QPI mode, the Quad Enable (QE) bit in Status Register-2 must be set to 1 first, and an “Enter QPI (38h)” instruction must be issued. If the Quad Enable (QE) bit is 0, the “Enter QPI (38h)” instruction will be ignored and the device will remain in SPI mode.

See [Instruction Set Table 3](#) for all the commands supported in QPI mode.

When the device is switched from SPI mode to QPI mode, the existing Write Enable and Erase Suspend status, and the Wrap Length setting will remain unchanged.

Figure 42. Enter QPI Instruction (SPI Mode only)

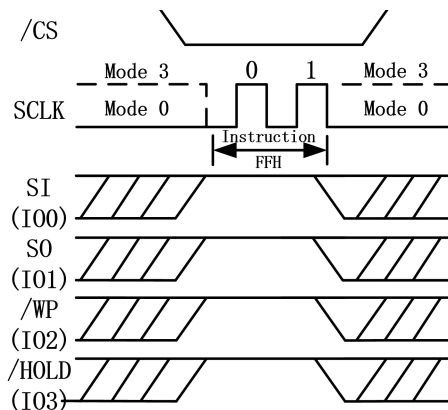


7.1.7 Exit QPI Mode (FFH)

In order to exit the QPI mode and return to the Standard/Dual/Quad SPI mode, an “Exit QPI (FFh)” instruction must be issued.

When the device is switched from QPI mode to SPI mode, the existing Write Enable Latch (WEL) and Erase Suspend status, and the Wrap Length setting will remain unchanged.

Figure 43. Exit QPI Instruction (QPI Mode only)



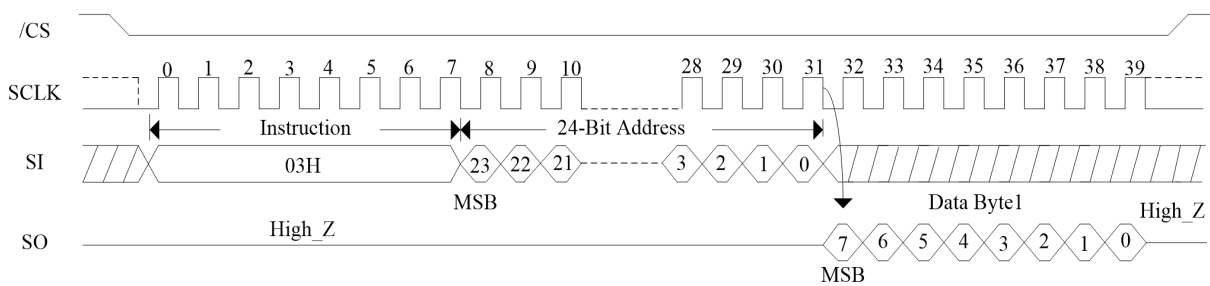
7.2 Read Instructions

7.2.1 Read Data (03H)

See [Figure 10](#), the Read Data Bytes (READ) instruction is followed by a 3-byte address (A23-A0), each bit being latched-in during the rising edge of SCLK. Then the memory content, at that address, is shifted out on SO, each bit being shifted out, at a Max frequency f_R , during the falling edge of SCLK. The address is automatically incremented to the next higher address after each byte of data is shifted out allowing for a continuous stream of data. This means that the entire memory can be accessed with a single command as long as the clock continues. The command is completed by driving /CS high. The whole memory can be read with a single Read Data Bytes (READ) instruction. Any Read Data Bytes (READ) instruction, while an Erase, Program or Write cycle is in progress, is rejected without having any effects on the cycle that is in progress.

The Read Data (03h) instruction is only supported in Standard SPI mode.

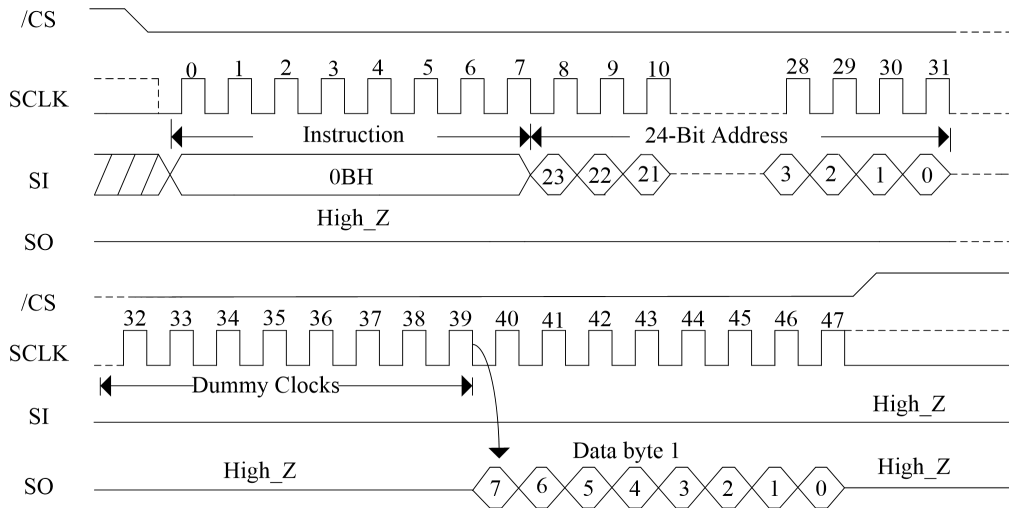
Figure 10. Read Data Bytes Sequence Diagram (SPI Mode only)



7.2.2 Fast Read (0BH)

See [Figure 11.a](#), the Read Data Bytes at Higher Speed (Fast Read) instruction is for quickly reading data out. It is followed by a 3-byte address (A23-A0) and a dummy byte, each bit being latched-in during the rising edge of SCLK. Then the memory content, at that address, is shifted out on SO, each bit being shifted out, at a Max frequency f_c , during the falling edge of SCLK. The first byte addressed can be at any location. The address is automatically incremented to the next higher address after each byte of data is shifted out.

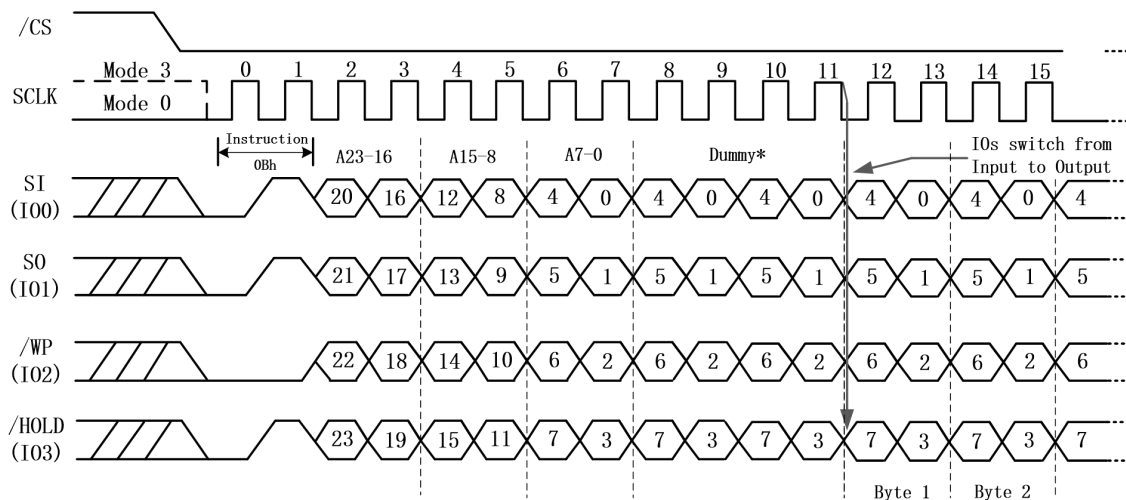
Figure 11.a. Fast Read Sequence Diagram (SPI Mode)



Fast Read (0Bh) in QPI Mode

The Fast Read instruction is also supported in QPI mode. When QPI mode is enabled, the number of dummy clocks is configured by the “[Set Read Parameters \(C0h\)](#)” instruction to accommodate a wide range of applications with different needs for either maximum Fast Read frequency or minimum data access latency. Depending on the Read Parameter Bits P[5:4] setting, the number of dummy clocks can be configured as either 4, 4, 6 or 8. The default number of dummy clocks upon power up or after a Reset instruction is 4.

Figure 11.b. Fast Read Instruction (QPI Mode)

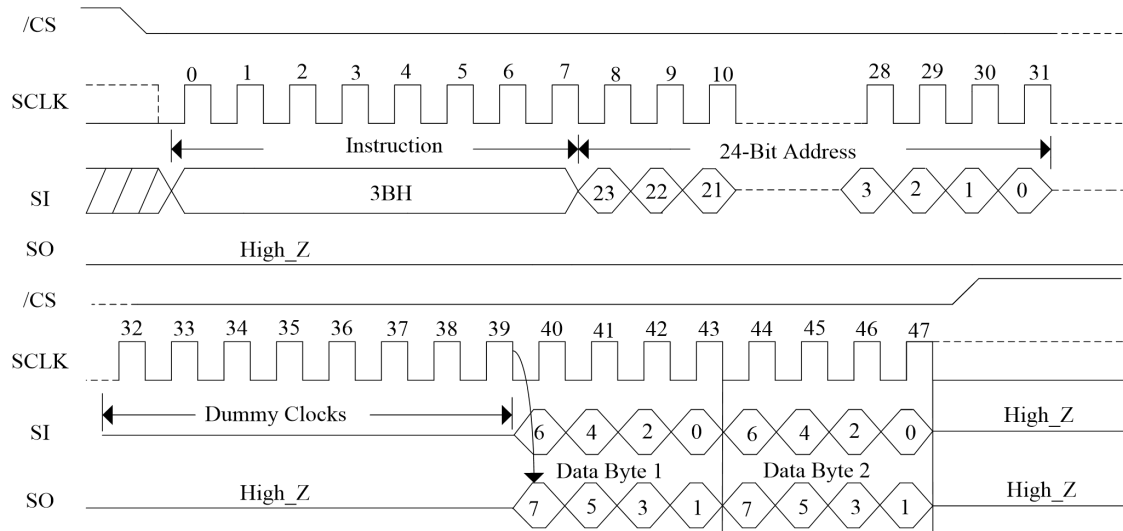


*" Set Read Parameters" instruction (C0h) can set the number of dummy clocks.

7.2.3 Dual Output Fast Read (3BH)

See [Figure 12](#), the Dual Output Fast Read instruction is followed by 3-byte address (A23-A0) and a dummy byte, each bit being latched in during the rising edge of SCLK, then the memory contents are shifted out 2-bit per clock cycle from SI and SO. The first byte addressed can be at any location. The address is automatically incremented to the next higher address after each byte of data is shifted out.

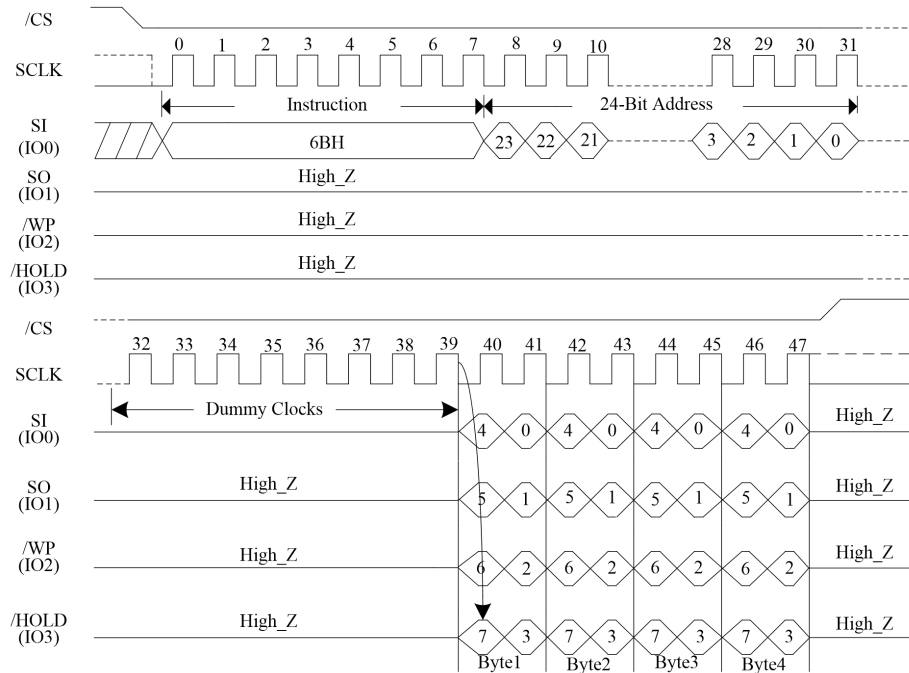
Figure 12. Dual Output Fast Read Sequence Diagram (SPI Mode only)



7.2.4 Quad Output Fast Read (6BH)

See [Figure 13](#), the Quad Output Fast Read instruction is followed by 3-byte address (A23-A0) and a dummy byte, each bit being latched in during the rising edge of SCLK, then the memory contents are shifted out 4-bit per clock cycle from IO3, IO2, IO1 and IO0. The first byte addressed can be at any location. The address is automatically incremented to the next higher address after each byte of data is shifted out.

Figure 13. Quad Output Fast Read Sequence Diagram (SPI Mode only)



7.2.5 Dual I/O Fast Read (BBH)

See [Figure 14.a](#), the Dual I/O Fast Read instruction is similar to the Dual Output Fast Read instruction but with the capability to input the 3-byte address (A23-0) and a “Continuous Read Mode” byte 2-bit per clock by SI and SO, each bit being latched in during the rising edge of SCLK, then the memory contents are shifted out 2-bit per clock cycle from SI and SO. The first byte addressed can be at any location. The address is automatically incremented to the next higher address after each byte of data is shifted out.

Dual I/O Fast Read with “continuous Read Mode”

The Dual I/O Fast Read instruction can further reduce instruction overhead through setting the “continuous Read Mode” bits (M7-4) after the inputs 3-byte address A23-A0). If the “continuous Read Mode” bits (M5-4)=(1,0), then the next Dual I/O fast Read instruction (after CS/ is raised and then lowered) does not require the BBH instruction code. The instruction sequence is shown in the following [Figure 14.b](#). If the “continuous Read Mode” bits (M5-4) does not equal (1,0), the next instruction requires the first BBH instruction code, thus returning to normal operation. A “continuous Read Mode” Reset instruction can be used to reset (M5-4) before issuing normal instruction.

Figure 14.a. Dual I/O Fast Read Sequence Diagram (Initial command or previous (M5-4) ≠ (1,0)), SPI mode only)

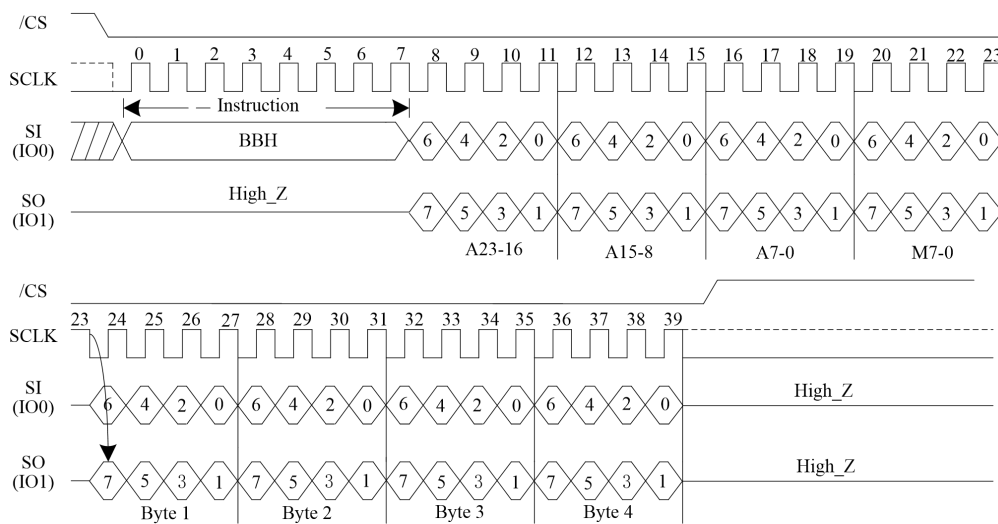
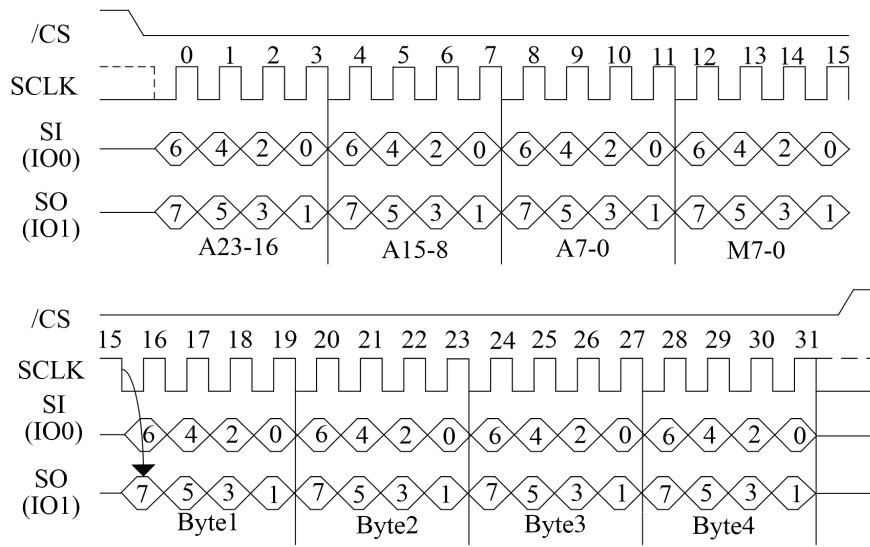


Figure 14.b. Dual I/O Fast Read Sequence Diagram (Previous command set (M5-4) =(1,0),SPI mode only)



7.2.6 Quad I/O Fast Read (EBH)

See [Figure 15.a](#), the Quad I/O Fast Read instruction is similar to the Dual I/O Fast Read instruction but with the capability to input the 3-byte address (A23-0) and a “Continuous Read Mode” byte and 4-dummy clock 4-bit per clock by IO0, IO1, IO3, IO4, each bit being latched in during the rising edge of SCLK, then the memory contents are shifted out 4-bit per clock cycle from IO0, IO1, IO2, IO3. The first byte addressed can be at any location. The address is automatically incremented to the next higher address after each byte of data is shifted out. The Quad Enable bit (QE) of Status Register must be set to enable for the Quad I/O Fast read instruction.

Quad I/O Fast Read with “Continuous Read Mode”

The Quad I/O Fast Read instruction can further reduce instruction overhead through setting the “Continuous Read Mode” bits (M7-0) after the input Address bits (A23-0), as shown in [Figure 16](#). If the “Continuous Read Mode” bits (M5-4) = (1,0), then the next Fast Read Quad I/O instruction(after /CS is raised and then lowered) does not require the EBH instruction code, The instruction sequence is shown in the followed [Figure 15.b](#). If the “Continuous Read Mode” bits M5-4 do not equal to (1,0), the next instruction requires the first EBH instruction code, thus returning to normal operation. A “Continuous Read Mode” Reset command can also be used to reset (M5-4) before issuing normal command.

Figure 15.a. Quad I/O Fast Read Sequence Diagram (Initial command or previous (M5-4 ≠ (1,0)),SPI mode)

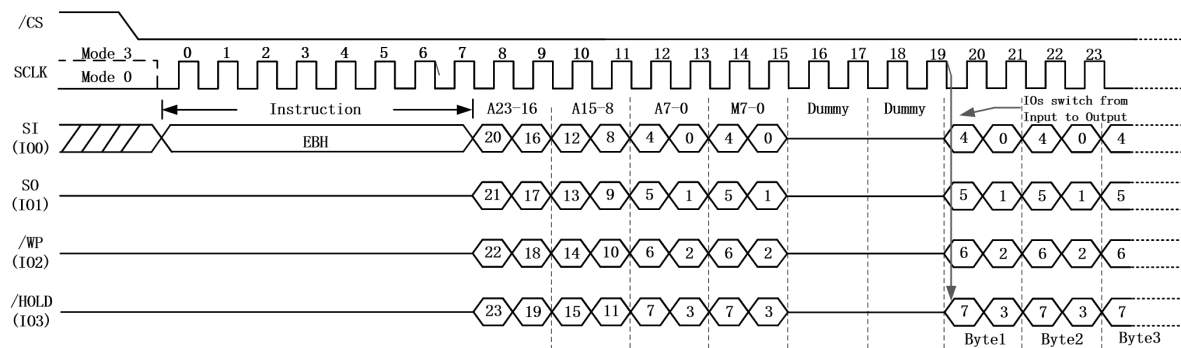
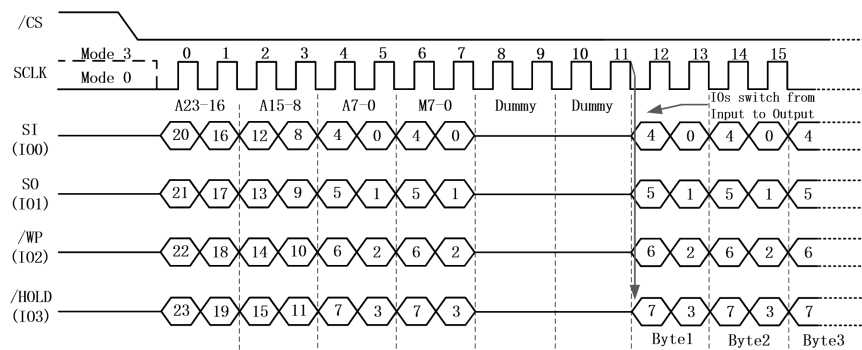


Figure 15.b. Quad I/O Fast Read Sequence Diagram (Previous command set (M5-4)=(1,0)), SPI mode)



Quad I/O Fast Read with “8/16/32/64-Byte Wrap Around”

The Quad I/O Fast Read instruction can also be used to access a specific portion within a page by issuing a “Set Burst with Wrap” (77H) instruction prior to EBH. The “Set Burst with Wrap” (77H) instruction can either enable or disable the “Wrap Around” feature for the following EBH instructions. When “Wrap Around” is enabled, the data being accessed can be limited to either an 8, 16, 32 or 64-byte section of a 256-byte page. The output data starts at the initial address specified in the instruction, once it reaches the ending boundary of the 8/16/32/64-byte section, the output will wrap around to the beginning boundary automatically until /CS is pulled high to terminate the instruction.

The Burst with Wrap feature allows applications that use cache to quickly fetch a critical address and then fill the cache afterwards within a fixed length (8/16/32/64-byte) of data without issuing multiple read instructions.

The “Set Burst with Wrap” instruction allows three “Wrap Bits”, W6-4 to be set. The W4 bit is used to enable or disable the “Wrap Around” operation while W6-5 are used to specify the length of the wrap around section within a page.

Quad I/O Fast Read (EBh) in QPI Mode

The Quad I/O Fast Read instruction is also supported in QPI mode, as shown in [Figure 15.c](#) - [Figure 15.d](#). When QPI mode is enabled, the number of dummy clocks is configured by the “Set Read Parameters (C0h)” instruction to accommodate a wide range of applications with different needs for either maximum Fast Read frequency or minimum data access latency. Depending on the Read Parameter Bits P[5:4] setting, the number of dummy clocks can be configured as either 4, 4, 6 or 8. The default number of dummy clocks upon power up or after a Reset instruction is 4. In QPI mode, the “Continuous Read Mode” bits M7-0 are also considered as dummy clocks. In the default setting, the data output will follow the Continuous Read Mode bits immediately.

“Continuous Read Mode” feature is also available in QPI mode for Quad I/O Fast Read instruction. Please refer to the description on previous pages.

“Wrap Around” feature is not available in QPI mode for Quad I/O Fast Read instruction. To perform a read operation with fixed data length wrap around in QPI mode, a dedicated “Burst Read with Wrap” (0Ch) instruction must be used.

Figure 15.c. Quad I/O Fast Read Sequence Diagram (Initial instruction or previous (M5-4≠(1,0)), QPI mode)

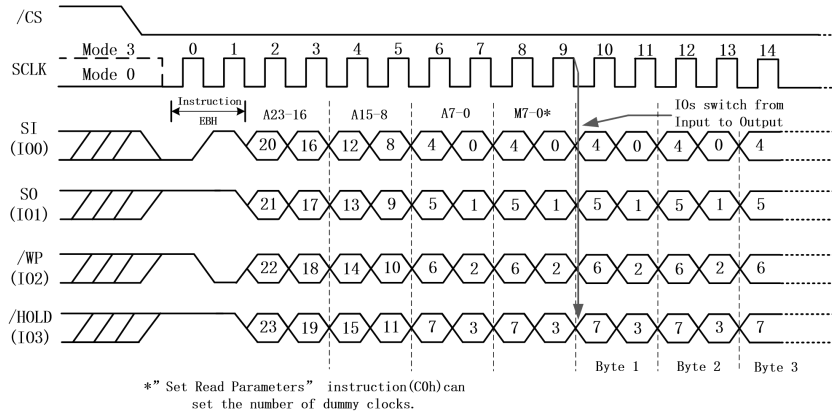
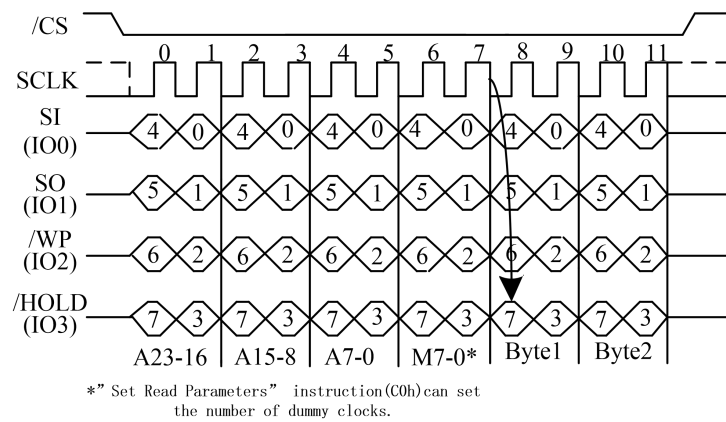


Figure 15.d. Quad I/O Fast Read Sequence Diagram (Initial instruction or previous (M5-4=(1,0)), QPI mode)



7.2.7 Quad I/O Word Fast Read (E7H)

The Quad I/O Word Fast Read instruction is similar to the Quad Fast Read instruction except that the lowest address bit (A0) must equal 0 and 2-dummy clock. The instruction sequence is shown in the followed [Figure 16.a](#), the first byte addressed can be at any location. The address is automatically incremented to the next higher address after each byte of data is shifted out. The Quad Enable bit (QE) of Status Register (S9) must be set to enable for the Quad I/O Word Fast Read instruction.

Quad I/O Word Fast Read with “Continuous Read Mode”

The Quad I/O Word Fast Read instruction can further reduce instruction overhead through setting the “Continuous Read Mode” bits (M7-0) after the input 3-byte Address bits (A23-0). If the “Continuous Read Mode” bits (M5-4) = (1, 0), then the next Quad I/O Fast Read instruction (after /CS is raised and then lowered) does not require the E7H instruction code, the instruction sequence is shown in the followed [Figure 16.b](#). If the “Continuous Read Mode” bits M5-4 do not equal to (1,0), the next instruction requires the first E7H instruction code, thus returning to normal operation. A “Continuous Read Mode” Reset command can also be used to reset (M5-4) before issuing normal command.

Figure 16.a. Quad I/O Word Fast Read Sequence Diagram (Initial command or previous (M5-4)≠(1,0),SPI mode only)

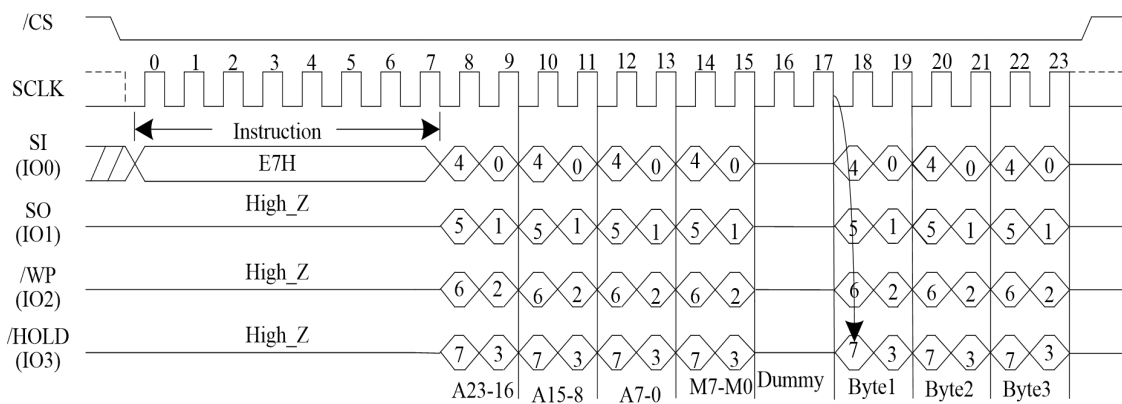
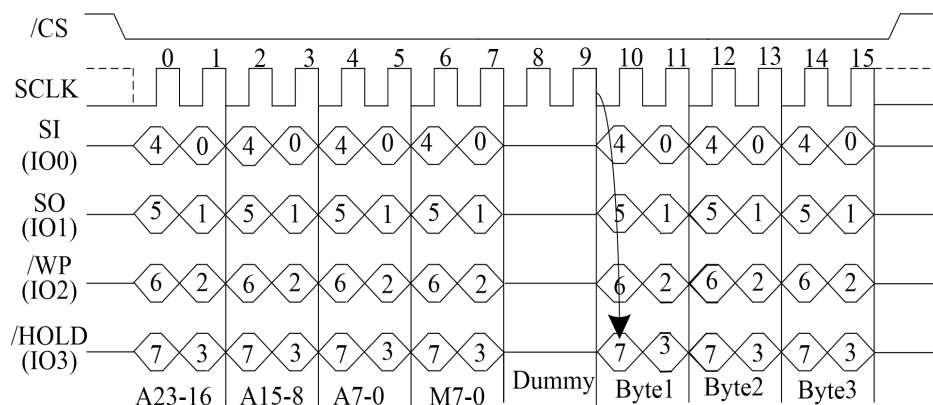


Figure 16.b. Quad I/O word Fast Read Sequence Diagram (Previous command set (M5-4) =(1,0), SPI mode only)



Quad I/O Word Fast Read with “8/16/32/64-Byte Wrap Around” in standard SPI mode

The Quad I/O Fast Read instruction can also be used to access a specific portion within a page by issuing a “Set Burst with Wrap” (77H) instruction prior to E7H. The “Set Burst with Wrap” (77H) instruction can either enable or disable the “Wrap Around” feature for the following E7H instructions. When “Wrap Around” is enabled, the data being accessed can be limited to either an 8, 16, 32 or 64-byte section of a 256-byte page. The output data starts at the initial address specified in the instruction, once it reaches the ending boundary of the 8/16/32/64-byte section, the output will wrap around to the beginning boundary automatically until /CS is pulled high to terminate the instruction.

The Burst with Wrap feature allows applications that use cache to quickly fetch a critical address and then fill the cache afterwards within a fixed length (8/16/32/64-byte) of data without issuing multiple read instructions.

The “Set Burst with Wrap” instruction allows three “Wrap Bits”, W6-4 to be set. The W4 bit is used to enable or disable the “Wrap Around” operation while W6-5 are used to specify the length of the wrap around section within a page.

7.2.8 Octal Word Read Quad I/O (E3h)

The Octal Word Read Quad I/O (E3h) instruction is similar to the *Fast Read Quad I/O (EBh)* instruction except that the lower four Address bits (A0, A1, A2, A3) must equal 0. As a result, the dummy clocks are not required, which further reduces the instruction overhead allowing even faster random access for code execution (XIP). The Quad Enable bit (QE) of Status Register-2 must be set to enable the Octal Word Read Quad I/O Instruction.

Octal Word Read Quad I/O with “Continuous Read Mode”

The Octal Word Read Quad I/O instruction can further reduce instruction overhead through setting the “Continuous Read Mode” bits (M7-0) after the input Address bits (A23-0), as shown in *Figure 17.a*. The upper nibble of the (M7-4) controls the length of the next Octal Word Read Quad I/O instruction through the inclusion or exclusion of the first byte instruction code. The lower nibble bits of the (M3-0) are don't care (“x”). However, the IO pins should be high-impedance prior to the falling edge of the first data out clock.

If the “Continuous Read Mode” bits M5-4 = (1,0), then the next Octal Word Read Quad I/O instruction (after /CS is raised and then lowered) does not require the E3h instruction code, as shown in *Figure 17.b*. This reduces the instruction sequence by eight clocks and allows the Read address to be immediately entered after /CS is asserted low. If the “Continuous Read Mode” bits M5-4 do not equal to (1,0), the next instruction (after /CS is raised and then lowered) requires the first byte instruction code, thus returning to normal operation. It is recommended to input FFh on SI for the next instruction (8 clocks), to ensure M4 = 1 and return the device to normal operation.

Figure 17.a. Octal Word Read Quad I/O Instruction (Initial instruction or previous M5-4 \neq 10, SPI Mode only)

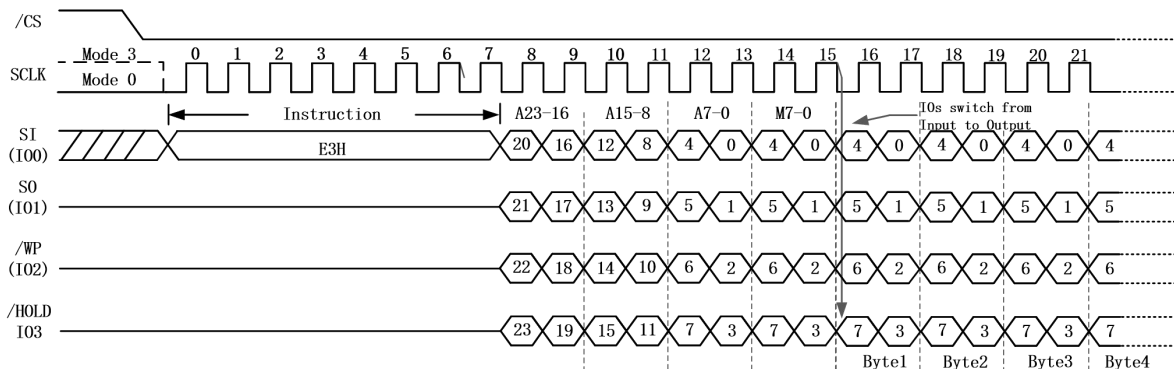
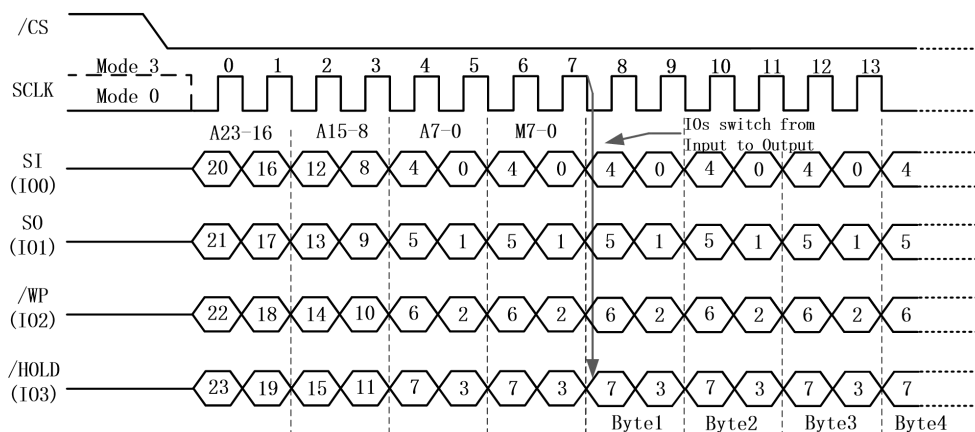


Figure 17.b. Octal Word Read Quad I/O Instruction (Previous instruction set M5-4 = 10, SPI Mode only)



7.2.9 Set Burst with Wrap (77H)

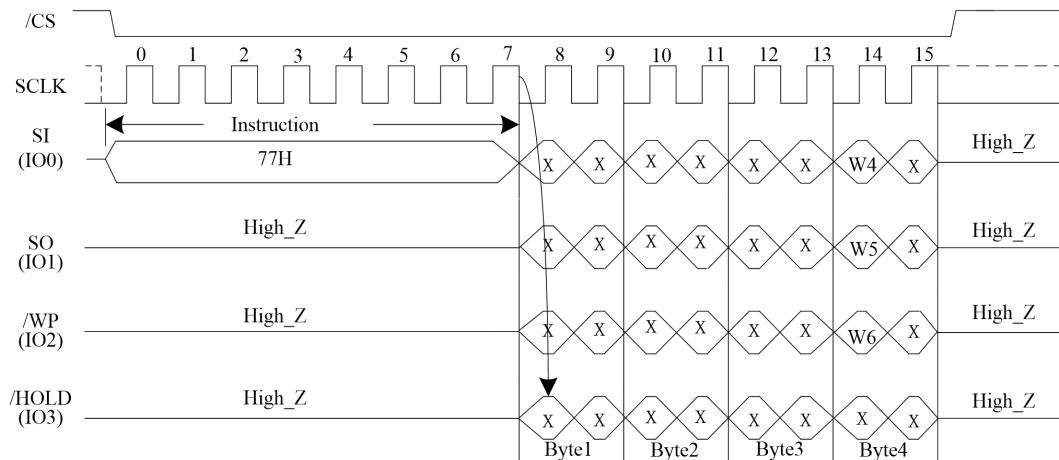
See [Figure 18](#), The Set Burst with Wrap instruction is used in conjunction with "Quad I/O Fast Read" and "Quad I/O Word Fast Read" instruction to access a fixed length of 8/16/32/64-byte section within a 256-byte page, in standard SPI mode.

The Set Burst with Wrap instruction sequence: /CS goes low -> Send Set Burst with Wrap instruction -> Send 24 Dummy bits -> Send 8 bits "Wrap bits" -> /CS goes high.

If W6-4 is set by a Set Burst with Wrap instruction, all the following "Fast Read Quad I/O" and "Word Read Quad I/O" instructions will use the W6-4 setting to access the 8/16/32/64-byte section within any page. To exit the "Wrap Around" function and return to normal read operation, another Set Burst with Wrap instruction should be issued to set W4=1. The default value of W4 upon power on is 1.

W6 , W5	W4 = 0		W4 = 1 (DEFAULT)	
	Wrap Around	Wrap Length	Wrap Around	Wrap Length
0 0	Yes	8-byte	No	N/A
0 1	Yes	16-byte	No	N/A
1 0	Yes	32-byte	No	N/A
1 1	Yes	64-byte	No	N/A

Figure 18. Set Burst with Wrap Sequence Diagram (SPI mode only)



7.2.10 Set Read Parameters (C0H)

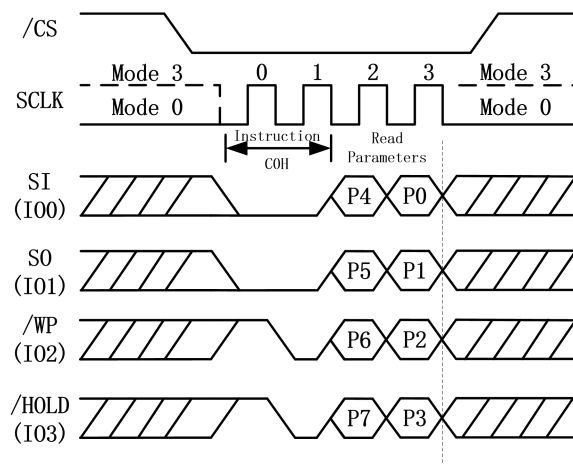
In QPI mode, to accommodate a wide range of applications with different needs for either maximum read frequency or minimum data access latency, “Set Read Parameters (C0h)” instruction can be used to configure the number of dummy clocks for “Fast Read (0Bh)”, “Fast Read Quad I/O (EBh)” & “Burst Read with Wrap (0Ch)” instructions, and to configure the number of bytes of “Wrap Length” for the “Burst Read with Wrap (0Ch)” instruction.

In Standard SPI mode, the “Set Read Parameters (C0h)” instruction is not accepted. The dummy clocks for various Fast Read instructions in Standard/Dual/Quad SPI mode are fixed, please refer to the [Instruction Table 2](#) for details. The “Wrap Length” is set by W5-4 bit in the “Set Burst with Wrap (77h)” instruction. This setting will remain unchanged when the device is switched from Standard SPI mode to QPI mode.

The default “Wrap Length” after a power up or a Reset instruction is 8 bytes, the default number of dummy clocks is 4. The number of dummy clocks is only programmable for “Fast Read (0Bh)”, “Fast Read Quad I/O (EBh)” & “Burst Read with Wrap (0Ch)” instructions in the QPI mode. Whenever the device is switched from SPI mode to QPI mode, the number of dummy clocks and “Wrap Length” should be set again, prior to any 0Bh, EBh or 0Ch instructions.

P5 – P4	DUMMY CLOCKS	MAXIMUM READ FREQ.	MAXIMUM READ FREQ. (A[1:0]=0,0 VCC=2.7V~2.9V)	MAXIMUM READ FREQ. (A[1:0]=0,0 VCC=3.0V~3.6V)	P1 – P0	WRAP LENGTH
0 0	4	55MHz	80MHz	80MHz	0 0	8-byte
0 1	4	55MHz	80MHz	80MHz	0 1	16-byte
1 0	6	80MHz	80MHz	108MHz	1 0	32-byte
1 1	8	80MHz	80MHz	108MHz	1 1	64-byte

Figure 41. Set Read Parameters Instruction (QPI Mode only)

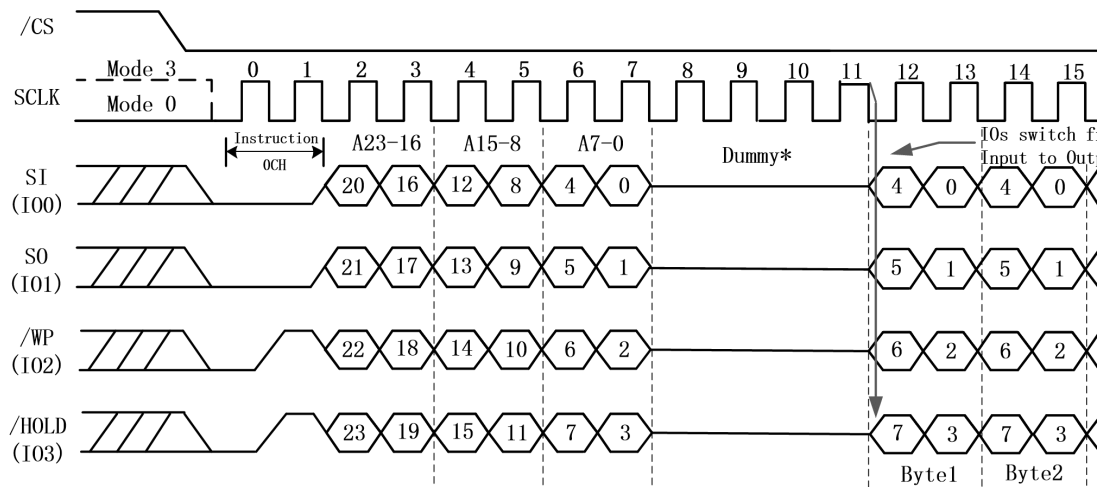


7.2.11 Burst Read with Wrap (0Ch)

The “Burst Read with Wrap (0Ch)” instruction provides an alternative way to perform the read operation with “Wrap Around” in QPI mode. The instruction is similar to the “*Fast Read (0Bh)*” instruction in QPI mode, except the addressing of the read operation will “Wrap Around” to the beginning boundary of the “Wrap Length” once the ending boundary is reached.

The “Wrap Length” and the number of dummy clocks can be configured by the “*Set Read Parameters (C0h)*” instruction.

Figure 19. Burst Read with Wrap Instruction (QPI Mode only)



*" Set Read Parameters" instruction(C0h) can set the number of dummy clocks.

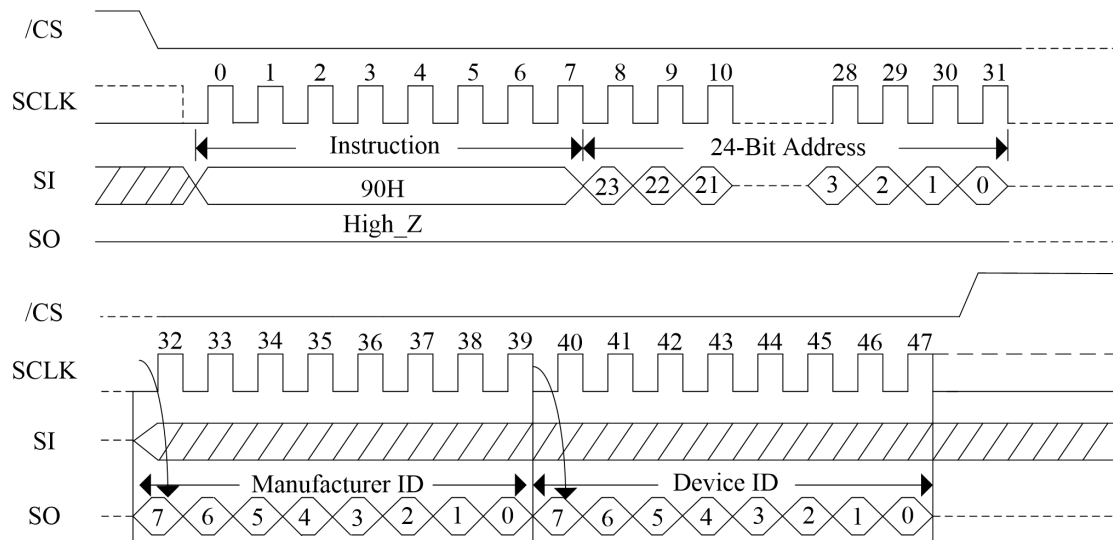
7.3 ID and Security Instructions

7.3.1 Read Manufacture ID/ Device ID (90H)

See [Figure 20](#), The Read Manufacturer/Device ID instruction is an alternative to the Release from Power-Down/Device ID instruction that provides both the JEDEC assigned Manufacturer ID and the specific Device ID.

The instruction is initiated by driving the /CS pin low and shifting the instruction code “90H” followed by a 24-bit address (A23-A0) of 000000H. If the 24-bit address is initially set to 000001H, the Device ID will be read first.

Figure 20. Read Manufacture ID/ Device ID Sequence Diagram (SPI Mode only)

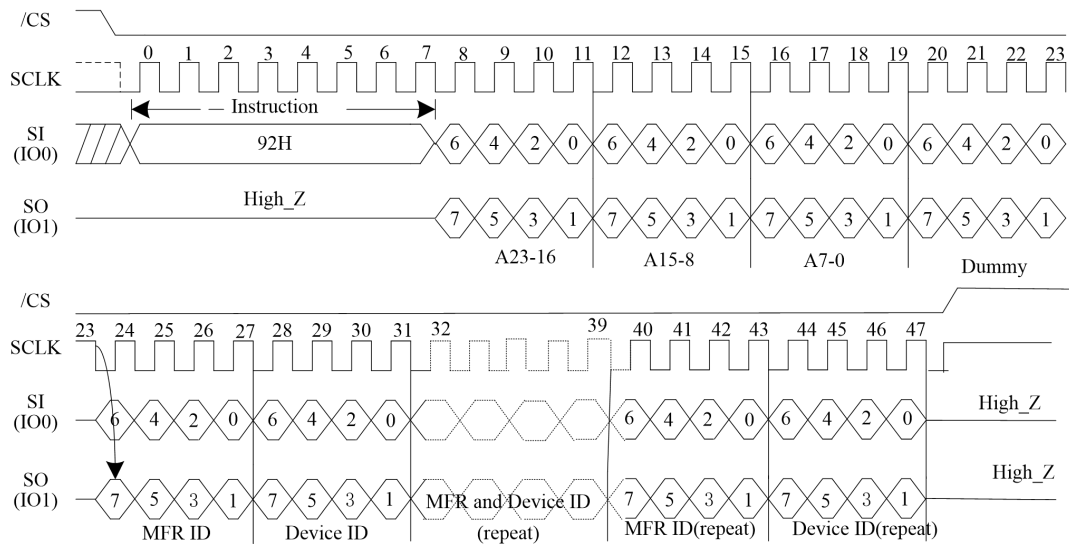


7.3.2 Dual I/O Read Manufacture ID/ Device ID (92H)

See [Figure 21](#), the Dual I/O Read Manufacturer/Device ID instruction is an alternative to the Release from Power-Down/Device ID instruction that provides both the JEDEC assigned Manufacturer ID and the specific Device ID by Dual I/O.

The instruction is initiated by driving the /CS pin low and shifting the instruction code “92H” followed by a 24-bit address (A23-A0) of 000000H. If the 24-bit address is initially set to 000001H, the Device ID will be read first.

Figure 21. Dual I/O Read Manufacture ID/ Device ID Sequence Diagram (SPI Mode only)

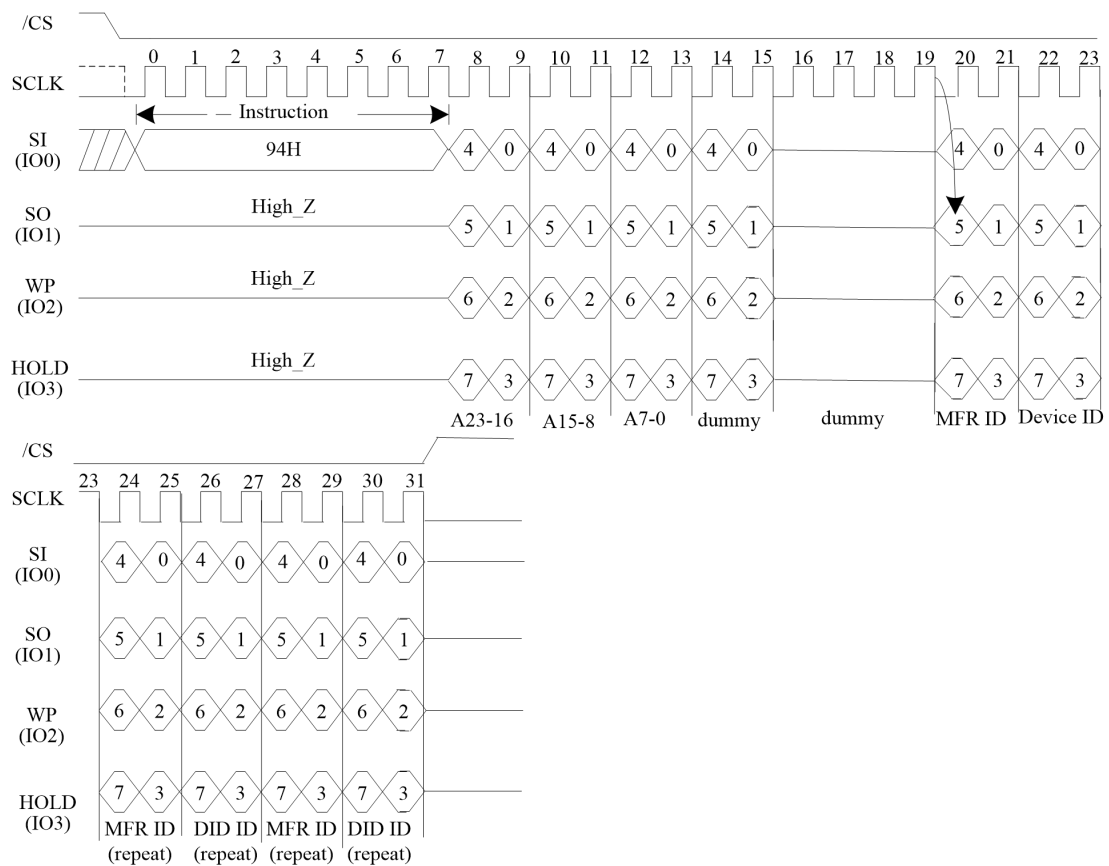


7.3.3 Quad I/O Read Manufacture ID/ Device ID (94H)

See [Figure 22](#), the Quad I/O Read Manufacturer/Device ID instruction is an alternative to the Release from Power-Down/Device ID instruction that provides both the JEDEC assigned Manufacturer ID and the specific Device ID by quad I/O.

The instruction is initiated by driving the /CS pin low and shifting the instruction code “94H” followed by a 24-bit address (A23-A0) of 000000H and 4 dummy clocks. If the 24-bit address is initially set to 000001H, the Device ID will be read first.

Figure 22. Quad I/O Read Manufacture ID/ Device ID Sequence Diagram (SPI mode only)



7.3.4 Read JEDEC ID (9FH)

The JEDEC ID instruction allows the 8-bit manufacturer identification to be read, followed by two bytes of device identification. The device identification indicates the memory type in the first byte, and the memory capacity of the device in the second byte. JEDEC ID instruction while an Erase or Program cycle is in progress, is not decoded, and has no effect on the cycle that is in progress. The JEDEC ID instruction should not be issued while the device is in Deep Power-Down Mode.

See [Figure 23.a \(SPI mode\)](#) & [Figure 23.b \(QPI mode\)](#), The device is first selected by driving /CS to low. Then, the 8-bit instruction code for the instruction is shifted in. This is followed by the 24-bit device identification, stored in the memory, being shifted out on Serial Data Output, each bit being shifted out during the falling edge of Serial Clock. The JEDEC ID instruction is terminated by driving /CS to high at any time during data output. When /CS is driven high, the device is put in the Standby Mode. Once in the Standby Mode, the device waits to be selected, so that it can receive, decode and execute instructions.

Figure 23.a. JEDEC ID Sequence Diagram (SPI Mode)

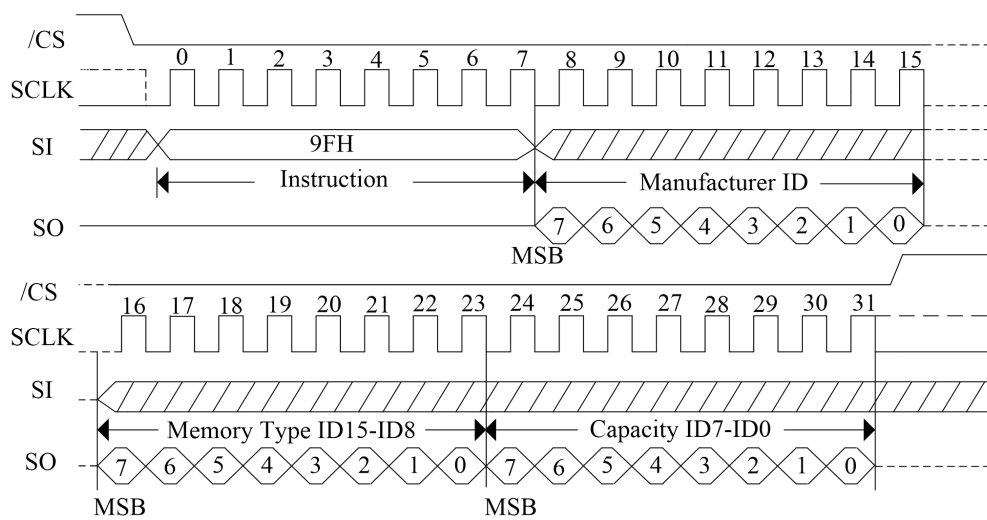
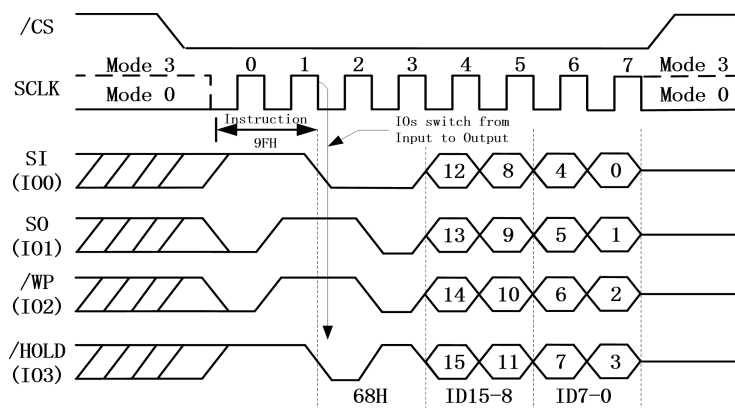


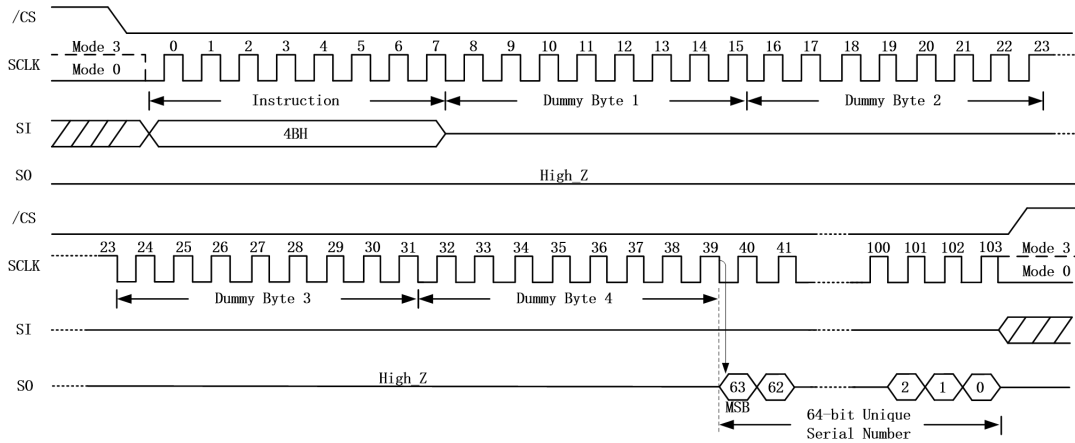
Figure 23.b. Read JEDEC ID Instruction (QPI Mode)



7.3.5 Read Unique ID Number (4Bh)

The Read Unique ID Number instruction accesses a factory-set read-only 64-bit number that is unique to each BY25Q16 device. The ID number can be used in conjunction with user software methods to help prevent copying or cloning of a system. The Read Unique ID instruction is initiated by driving the /CS pin low and shifting the instruction code “4Bh” followed by a four bytes of dummy clocks. After which, the 64-bit ID is shifted out on the falling edge of SCLK as shown in [Figure 24](#).

Figure 24. Read Unique ID Sequence Diagram (SPI Mode only)



7.3.6 Deep Power-Down (B9H)

Although the standby current during normal operation is relatively low, standby current can be further reduced with the Deep Power-down instruction. The lower power consumption makes the Deep Power-down (DPD) instruction especially useful for battery powered applications (see *ICC1* and *ICC2*). The instruction is initiated by driving the /CS pin low and shifting the instruction code "B9h" as shown in *Figure 25.a (SPI mode) & Figure 25.b (QPI mode)*.

The /CS pin must be driven high after the eighth bit has been latched. If this is not done the Deep Power down instruction will not be executed. After /CS is driven high, the power-down state will be entered within the time duration of t_{DP} . While in the power-down state only the Release from Deep Power-down / Device ID instruction, which restores the device to normal operation, will be recognized. All other Instructions are ignored. This includes the Read Status Register instruction, which is always available during normal operation. Ignoring all but one instruction also makes the Power Down state a useful condition for securing maximum write protection. The device always powers-up in the normal operation with the standby current of $ICC1$.

Figure 25.a. Deep Power-Down Sequence Diagram (SPI mode)

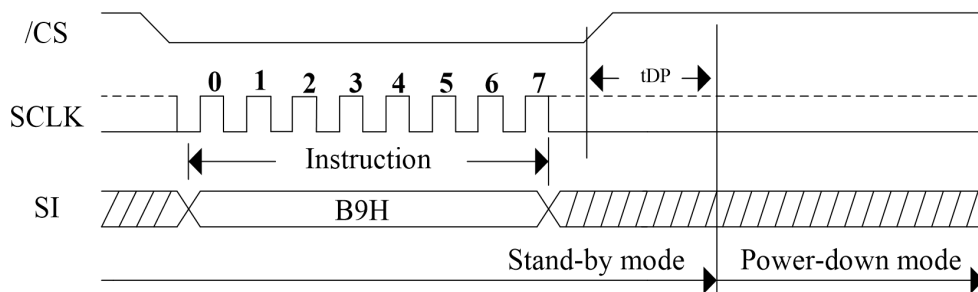
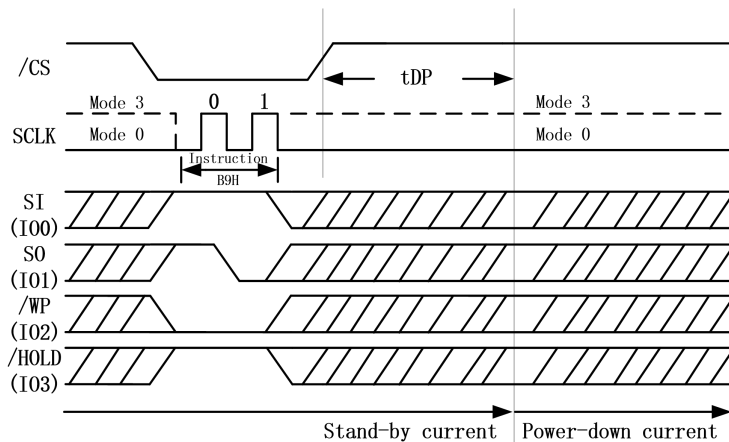


Figure 25.b. Deep Power-down Instruction (QPI Mode)



7.3.7 Release from Deep Power-Down/Read Device ID (ABH)

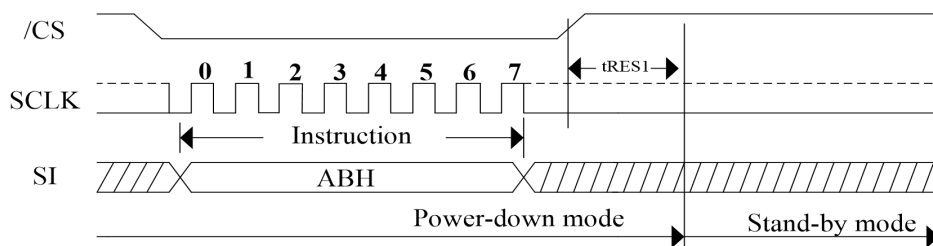
The Release from Power-Down or Device ID instruction is a multi-purpose instruction. It can be used to release the device from the Power-Down state or obtain the devices electronic identification (ID) number.

See [Figure 26.a \(SPI mode\)](#) & [Figure 26.b \(QPI mode\)](#), to release the device from the Power-Down state, the instruction is issued by driving the /CS pin low, shifting the instruction code “ABH” and driving /CS high. Release from Power-Down will take the time duration of tRES1 (See [AC Characteristics](#)) before the device will resume normal operation and other instruction are accepted. The /CS pin must remain high during the tRES1 time duration.

When used only to obtain the Device ID while not in the Power-Down state, the instruction is initiated by driving the /CS pin low and shifting the instruction code “ABH” followed by 3-dummy byte. The Device ID bits are then shifted out on the falling edge of SCLK with most significant bit (MSB) first as shown in The Device ID value for the BY25Q16BS is listed in Manufacturer and Device Identification table. The Device ID can be read continuously. The instruction is completed by driving /CS high.

When used to release the device from the Power-Down state and obtain the Device ID, the instruction is the same as previously described, and shown in [Figure 26.c \(SPI mode\)](#) & [Figure 26.d \(QPI mode\)](#), except that after /CS is driven high it must remain high for a time duration of tRES2 (See [AC Characteristics](#)). After this time duration the device will resume normal operation and other instruction will be accepted. If the Release from Power-Down/Device ID instruction is issued while an Erase, Program or Write cycle is in process (when WIP equal 1) the instruction is ignored and will not have any effects on the current cycle.

Figure 26.a. Release Power-Down Sequence Diagram (SPI mode)



Fig

Figure 26.b. Release Power-down Instruction (QPI Mode)

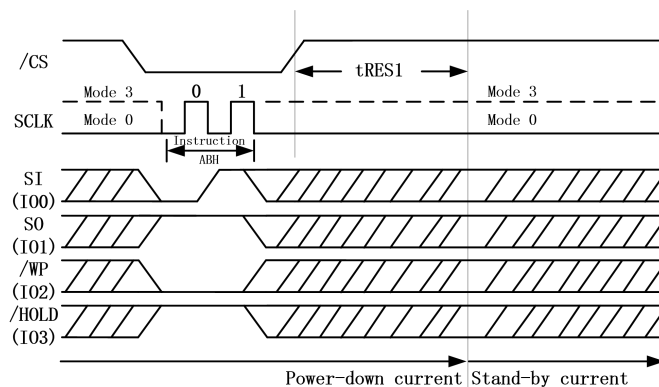


Figure 26.c. Release Power-down / Device ID Instruction (SPI Mode)

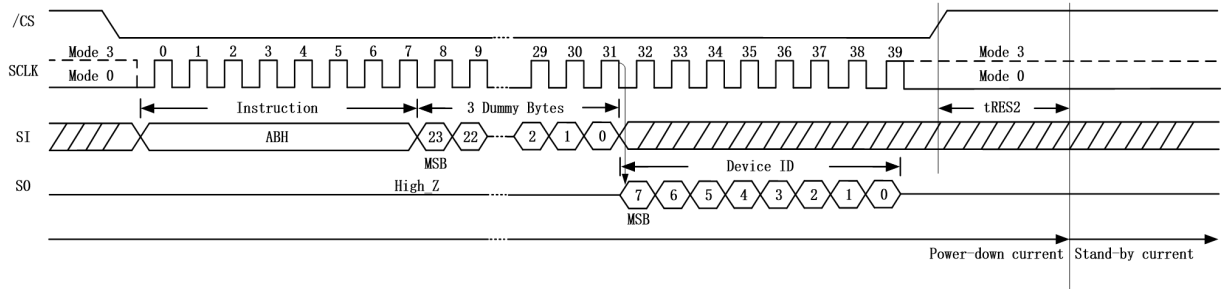
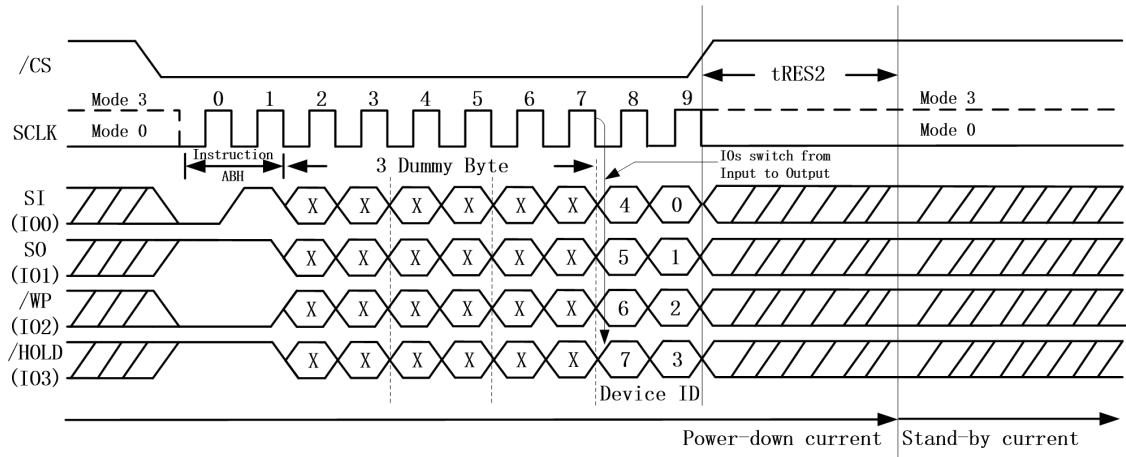


Figure 26.d. Release Power-down / Device ID Instruction (QPI Mode)

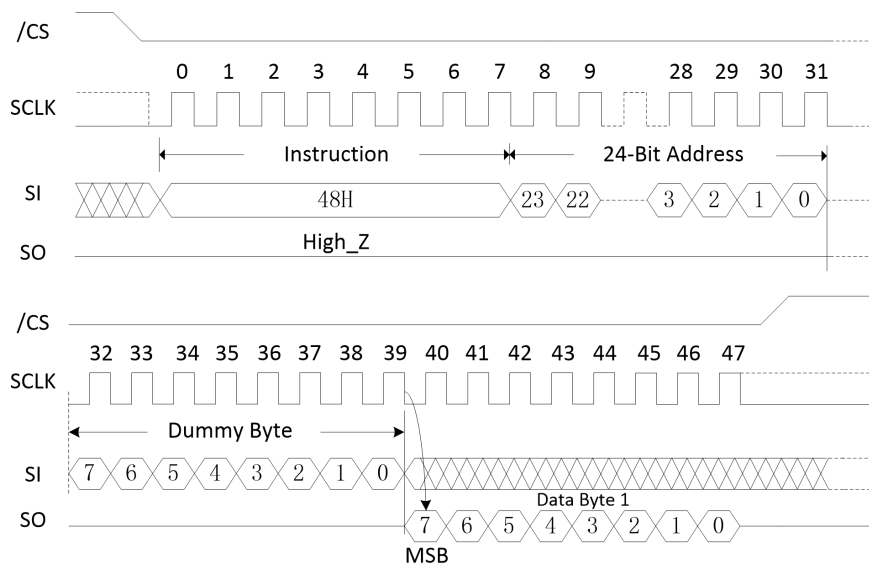


7.3.8 Read Security Registers (48H)

See [Figure 27](#), the Read Security Registers instruction is similar to Fast Read instruction. The instruction is followed by a 3-byte address (A23-A0) and a dummy byte, each bit being latched-in during the rising edge of SCLK. Then the memory content, at that address, is shifted out on SO, each bit being shifted out, at a Max frequency f_C , during the falling edge of SCLK. The first byte addressed can be at any location. The address is automatically incremented to the next higher address after each byte of data is shifted out. Once the A7-A0 address reaches the last byte of the register (Byte FFH), it will reset to 000H, the instruction is completed by driving /CS high.

Address	A23-A16	A15-A12	A11-A8	A7-A0
Security Registers 1	00H	0001	0000	Byte Address
Security Registers 2	00H	0010	0000	Byte Address
Security Registers 3	00H	0011	0000	Byte Address

Figure 27. Read Security Registers instruction Sequence Diagram (SPI Mode only)



7.3.9 Erase Security Registers (44H)

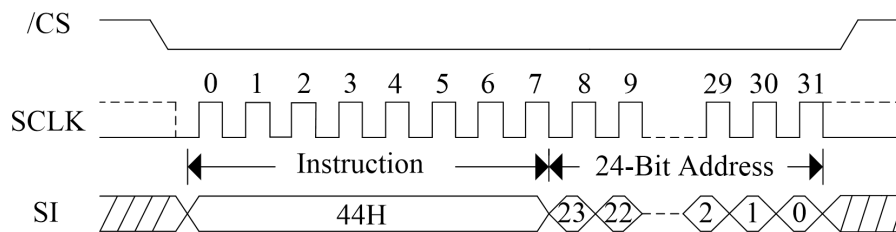
The BY25Q16BS provides three 256-byte Security Registers which can be erased and programmed individually. These registers may be used by the system manufacturers to store security and other important information separately from the main memory array.

See [Figure 28](#), the Erase Security Registers instruction is similar to Sector/Block Erase instruction. A Write Enable instruction must previously have been executed to set the Write Enable Latch bit.

The Erase Security Registers instruction sequence: /CS goes low sending Erase Security Registers instruction /CS goes high. /CS must be driven high after the eighth bit of the instruction code has been latched in otherwise the Erase Security Registers instruction is not executed. As soon as /CS is driven high, the self-timed Erase Security Registers cycle (whose duration is tSE) is initiated. While the Erase Security Registers cycle is in progress, the Status Register may be read to check the value of the Write In Progress (WIP) bit. The Write In Progress (WIP) bit is 1 during the self-timed Erase Security Registers cycle, and is 0 when it is completed. At some unspecified time before the cycle is completed, the Write Enable Latch bit is reset. The Security Registers Lock Bit (LB) in the Status Register can be used to OTP protect the security registers. Once the LB bit is set to 1, the Security Registers will be permanently locked; the Erase Security Registers instruction will be ignored.

Address	A23-A16	A15-A12	A11-A8	A7-A0
Security Registers 1	00H	0001	0000	Byte Address
Security Registers 2	00H	0010	0000	Byte Address
Security Registers 3	00H	0011	0000	Byte Address

Figure 28. Erase Security Registers instruction Sequence Diagram (SPI Mode only)



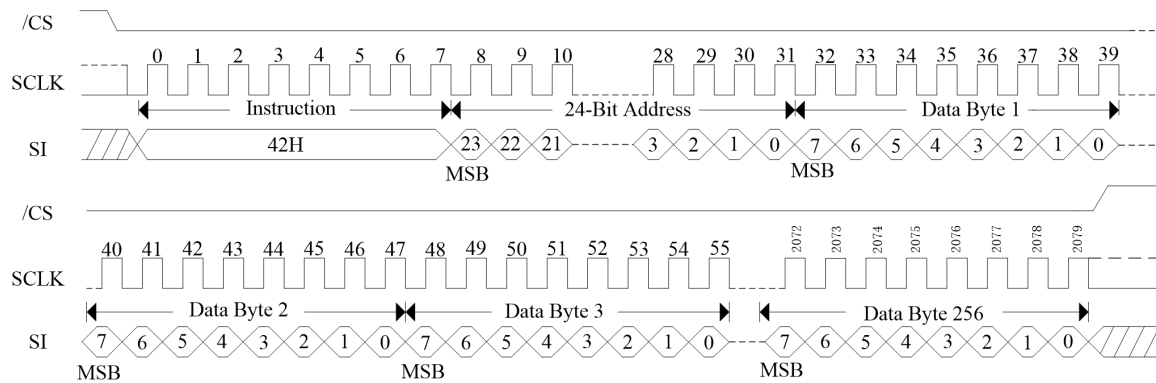
7.3.10 Program Security Registers (42H)

See [Figure 29](#), the Program Security Registers instruction is similar to the Page Program instruction. It allows from 1 to 256 bytes Security Registers data to be programmed. A Write Enable instruction must previously have been executed to set the Write Enable Latch bit before sending the Program Security Registers instruction. The Program Security Registers instruction is entered by driving /CS Low, followed by the instruction code (42H), 3-byte address and at least one data byte on SI. As soon as /CS is driven high, the self-timed Program Security Registers cycle (whose duration is t_{PP}) is initiated. While the Program Security Registers cycle is in progress, the Status Register may be read to check the value of the Write In Progress (WIP) bit. The Write In Progress (WIP) bit is 1 during the self-timed Program Security Registers cycle, and is 0 when it is completed. At some unspecified time before the cycle is completed, the Write Enable Latch bit is reset.

If the Security Registers Lock Bit (LB3/LB2/LB1) is set to 1, the Security Registers will be permanently locked. Program Security Registers instruction will be ignored.

Address	A23-A16	A15-A12	A11-A8	A7-A0
Security Registers 1	00H	0001	0000	Byte Address
Security Registers 2	00H	0010	0000	Byte Address
Security Registers 3	00H	0011	0000	Byte Address

Figure 29. Program Security Registers instruction Sequence Diagram (SPI Mode only)



7.3.11 Enable Reset (66H) and Reset Device (99H)

Because of the small package and the limitation on the number of pins, the BY25Q16BS provides a software Reset instruction instead of a dedicated RESET pin. Once the software Reset instruction is accepted, any on-going internal operations will be terminated and the device will return to its default power-on state and lose all the current volatile settings, such as Volatile Status Register bits, Write Enable Latch (WEL) status, Program/Erase Suspend status, Continuous Read Mode bit setting (M7-M0) and Wrap Bit setting (W6-W4).

To avoid accidental reset, both “Enable Reset (66h)” and “Reset (99h)” instructions must be issued in sequence. Any other commands other than “Reset (99h)” after the “Enable Reset (66h)” command will disable the “Reset Enable” state. A new sequence of “Enable Reset (66h)” and “Reset (99h)” is needed to reset the device. Once the Reset command is accepted by the device, the device will take approximately 30us to reset. During this period, no command will be accepted.

The Enable Reset (66h) and Reset (99h) instruction sequence is shown in [Figure 30.a\(SPI mode\)](#) & [Figure 30.b\(QPI mode\)](#).

Data corruption may happen if there is an on-going or suspended internal Erase or Program operation when Reset command sequence is accepted by the device. It is recommended to check the BUSY bit and the SUS bit in Status Register before issuing the Reset command sequence.

Figure 30.a. Enable Reset (66h) and Reset (99h) Command Sequence (SPI mode)

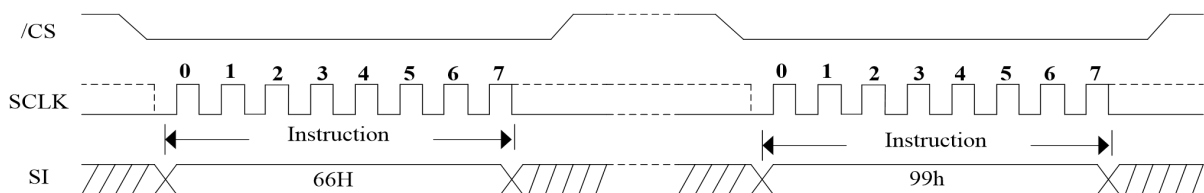
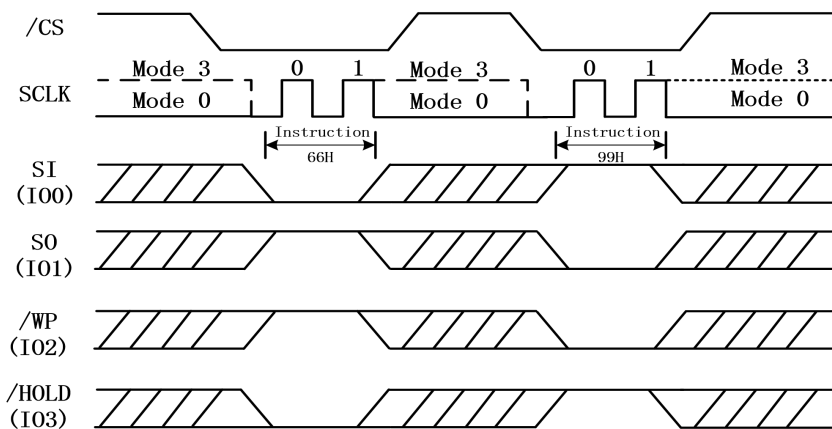


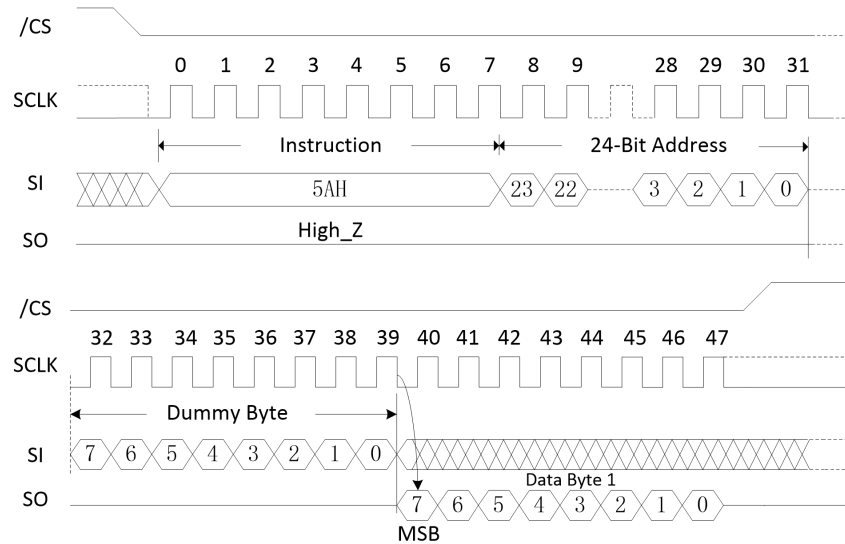
Figure 30.b. Enable Reset and Reset Instruction Sequence (QPI Mode)



7.3.12 Read Serial Flash Discoverable Parameter (5AH)

See [Figure 31](#), The Serial Flash Discoverable Parameter (SFDP) standard provides a consistent method of describing the functional and feature capabilities of serial flash devices in a standard set of internal parameter tables. These parameter tables can be interrogated by host system software to enable adjustments needed to accommodate divergent features from multiple vendors. The concept is similar to the one found in the Introduction of JEDEC Standard, JESD68 on CFI. SFDP is a standard of JEDEC Standard No.216.

Figure 31. Read Serial Flash Discoverable Parameter command Sequence Diagram



7.4 Program and Erase Instructions

7.4.1 Page Program (02H)

The Page Program instruction is for programming the memory. A Write Enable instruction must previously have been executed to set the Write Enable Latch bit before sending the Page Program instruction.

See [Figure 32.a \(SPI mode\)](#) & [Figure 32.b \(QPI mode\)](#), the Page Program instruction is entered by driving /CS Low, followed by the instruction code, 3-byte address and at least one data byte on SI. If the 8 least significant address bits (A7-A0) are not all zero, all transmitted data that goes beyond the end of the current page are programmed from the start address of the same page (from the address whose 8 least significant bits (A7-A0) are all zero). /CS must be driven low for the entire duration of the sequence. The Page Program instruction sequence: /CS goes low-> sending Page Program instruction ->3-byte address on SI ->at least 1 byte data on SI-> /CS goes high.

If more than 256 bytes are sent to the device, previously latched data are discarded and the last 256 data bytes are guaranteed to be programmed correctly within the same page. If less than 256 data bytes are sent to device, they are correctly programmed at the requested addresses without having any effects on the other bytes of the same page. /CS must be driven high after the eighth bit of the last data byte has been latched in; otherwise the Page Program instruction is not executed.

As soon as /CS is driven high, the self-timed Page Program cycle (whose duration is tPP) is initiated. While the Page Program cycle is in progress, the Status Register may be read to check the value of the Write in Progress (WIP) bit. The Write in Progress (WIP) bit is 1 during the self-timed Page Program cycle, and is 0 when it is completed. At some unspecified time before the cycle is completed, the Write Enable Latch bit is reset.

A Page Program instruction applied to a page which is protected by the Block Protect (BP4, BP3, BP2, BP1, BP0) bits (see [Table 5&6](#)) is not executed.

Figure 32.a. Page Program Sequence Diagram (SPI mode)

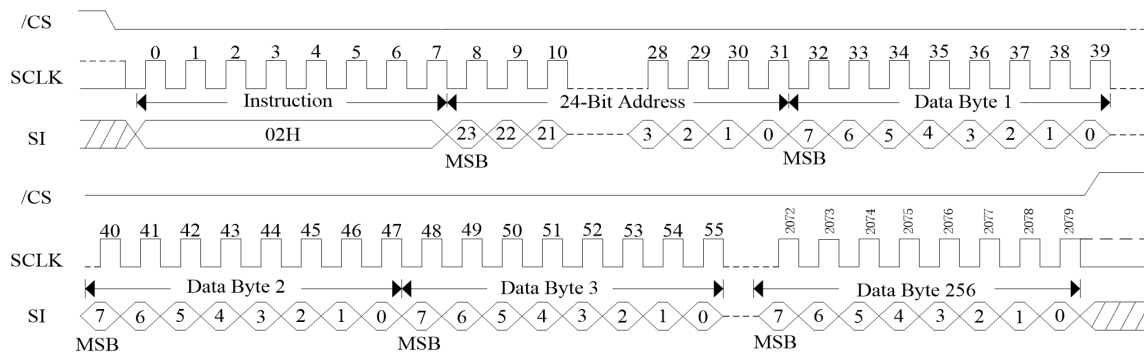
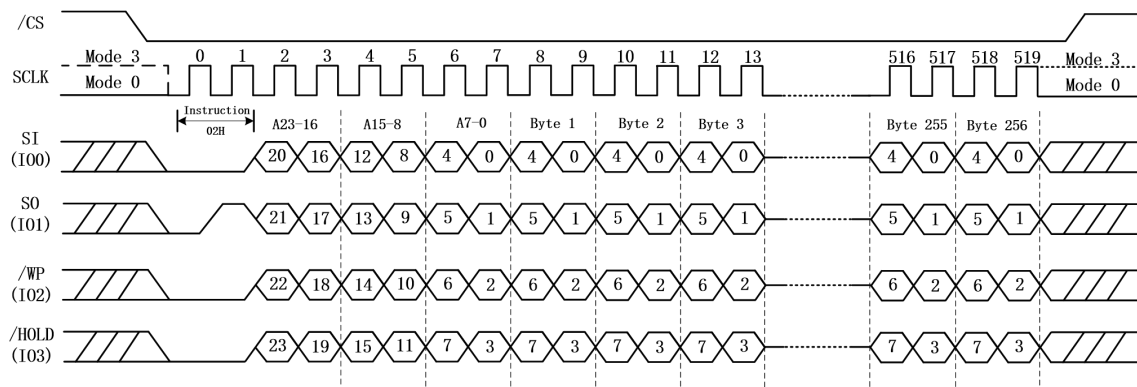


Figure 32.b. Page Program Instruction (QPI Mode)



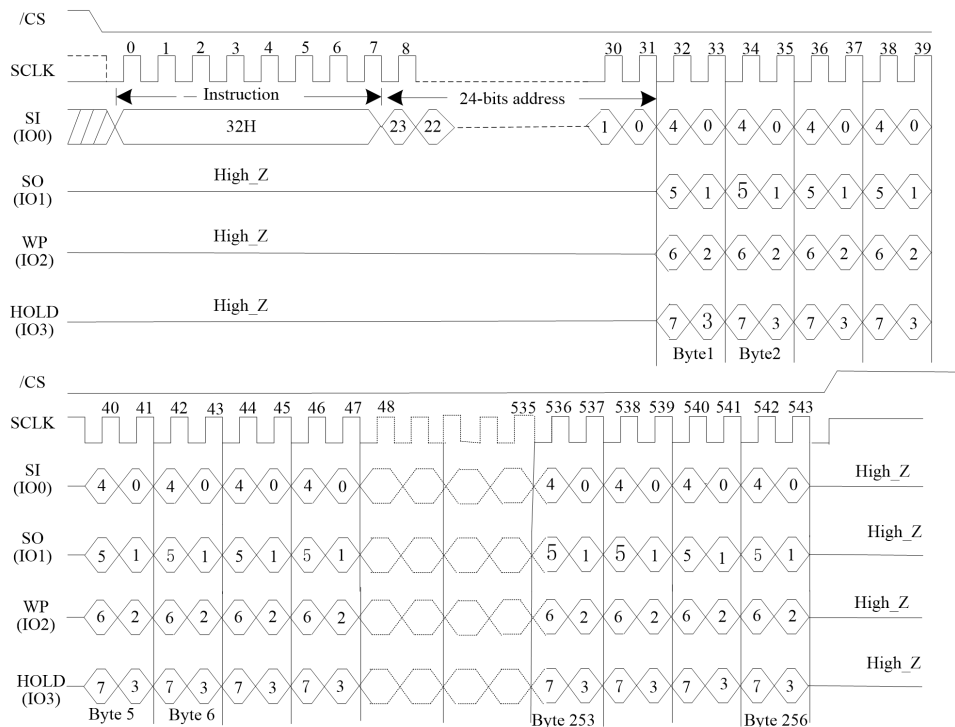
7.4.2 Quad Page Program (32H)

The Quad Page Program instruction is for programming the memory using for pins: IO0, IO1, IO2 and IO3. To use Quad Page Program the Quad enable in status register Bit9 must be set (QE=1). A Write Enable instruction must previously have been executed to set the Write Enable Latch bit before sending the Page Program instruction. The Quad Page Program instruction is entered by driving /CS Low, followed by the command code (32H), three address bytes and at least one data byte on IO pins.

The instruction sequence is shown in [Figure 33](#). If more than 256 bytes are sent to the device, previously latched data are discarded and the last 256 data bytes are guaranteed to be programmed correctly within the same page. If less than 256 data bytes are sent to device, they are correctly programmed at the requested addresses without having any effects on the other bytes of the same page. /CS must be driven high after the eighth bit of the last data byte has been latched in; otherwise the Quad Page Program instruction is not executed.

As soon as /CS is driven high, the self-timed Quad Page Program cycle (whose duration is t_{PP}) is initiated. While the Quad Page Program cycle is in progress, the Status Register may be read to check the value of the Write in Progress (WIP) bit. The Write In Progress (WIP) bit is 1 during the self-timed Quad Page Program cycle, and is 0 when it is completed. At some unspecified time before the cycle is completed, the Write Enable Latch bit is reset. A Quad Page Program instruction applied to a page which is protected by the Block Protect (BP4, BP3, BP2, BP1, BP0) bits (see [Table 5&6](#)) is not executed

Figure 33.Quad Page Program Sequence Diagram (SPI mode only)



7.4.3 Fast Page Program (F2H)

The Fast Page Program instruction is used to program the memory. A Write Enable instruction must previously have been executed to set the Write Enable Latch bit before sending the Page Program instruction.

The Fast Page Program instruction is entered by driving /CS Low, followed by the instruction code, 3-byte address and at least one data byte on SI. If the 8 least significant address bits (A7-A0) are not all zero, all transmitted data that goes beyond the end of the current page are programmed from the start address of the same page (from the address whose 8 least significant bits (A7-A0) are all zero). /CS must be driven low for the entire duration of the sequence.

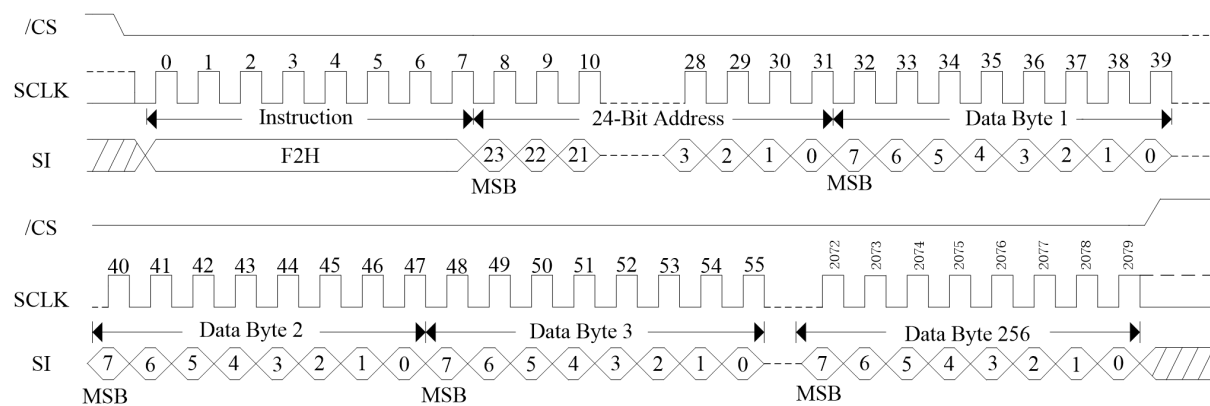
The Fast Page Program instruction sequence: /CS goes low -> sending Page Program instruction -> 3-byte address on SI -> at least 1 byte data on SI -> /CS goes high.

The command sequence is shown in [Figure 34](#), If more than 256 bytes are sent to the device, previously latched data are discarded and the last 256 data bytes are guaranteed to be programmed correctly within the same page. If less than 256 data bytes are sent to device, they are correctly programmed at the requested addresses without having any effects on the other bytes of the same page. /CS must be driven high after the eighth bit of the last data byte has been latched in; otherwise the Fast Page Program instruction is not executed.

As soon as /CS is driven high, the self-timed Page Program cycle (whose duration is tPP) is initiated. While the Page Program cycle is in progress, the Status Register may be read to check the value of the Write in Progress (WIP) bit. The Write In Progress (WIP) bit is 1 during the self-timed Page Program cycle, and is 0 when it is completed. At some unspecified time before the cycle is completed, the Write Enable Latch bit is reset.

A Fast Page Program instruction applied to a page which is protected by the Block Protect (BP4, BP3, BP2, BP1, BP0) bits (see [Table 5&6](#)) is not executed.

Figure 34.Fast Page Program Sequence Diagram



7.4.4 Sector Erase (20H)

The Sector Erase instruction is for erasing the all data of the chosen sector. A Write Enable instruction must previously have been executed to set the Write Enable Latch bit. The Sector Erase instruction is entered by driving /CS low, followed by the instruction code, and 3-address byte on SI. Any address inside the sector is a valid address for the Sector Erase instruction. /CS must be driven low for the entire duration of the sequence.

See [Figure 35.a \(SPI mode\)](#) & [Figure 35.b \(QPI mode\)](#), The Sector Erase instruction sequence: /CS goes low-> sending Sector Erase instruction-> 3-byte address on SI ->/CS goes high. /CS must be driven high after the eighth bit of the last address byte has been latched in; otherwise the Sector Erase instruction is not executed. As soon as /CS is driven high, the self-timed Sector Erase cycle (whose duration is tSE) is initiated. While the Sector Erase cycle is in progress, the Status Register may be read to check the value of the Write in Progress (WIP) bit. The Write in Progress (WIP) bit is 1 during the self-timed Sector Erase cycle, and is 0 when it is completed. At some unspecified time before the cycle is completed, the Write Enable Latch bit is reset. A Sector Erase instruction applied to a sector which is protected by the Block Protect (BP4, BP3, BP2, BP1, BP0) bits (see [Table 5&6](#)) is not executed.

Figure 35.a Sector Erase Sequence Diagram (SPI mode)

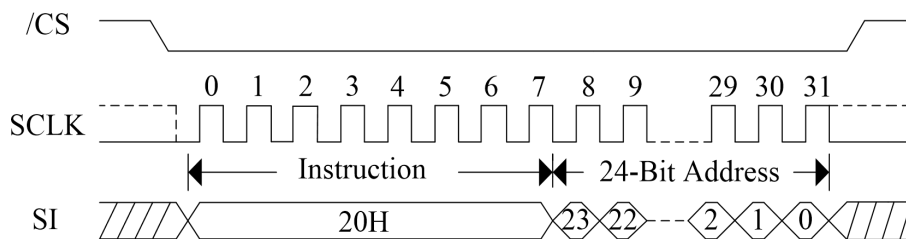
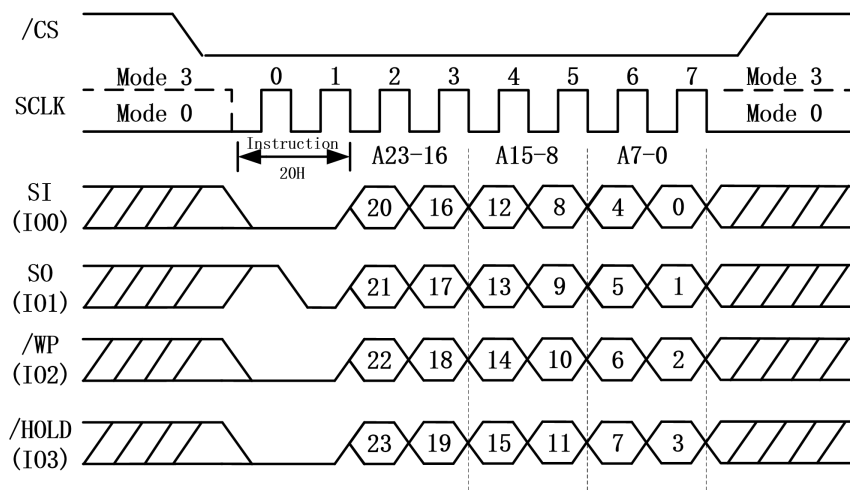


Figure 35.b Sector Erase Instruction (QPI Mode)



7.4.5 32KB Block Erase (52H)

The 32KB Block Erase instruction is for erasing the all data of the chosen block. A Write Enable instruction must previously have been executed to set the Write Enable Latch bit. The 32KB Block Erase instruction is entered by driving /CS low, followed by the instruction code, and 3-byte address on SI. Any address inside the block is a valid address for the 32KB Block Erase instruction. /CS must be driven low for the entire duration of the sequence.

See [Figure 36.a \(SPI mode\)](#) & [Figure 36.b \(QPI mode\)](#), the 32KB Block Erase instruction sequence: /CS goes low -> sending 32KB Block Erase instruction -> 3-byte address on SI -> /CS goes high. /CS must be driven high after the eighth bit of the last address byte has been latched in; otherwise the 32KB Block Erase instruction is not executed. As soon as /CS is driven high, the self-timed Block Erase cycle (whose duration is tBE) is initiated. While the Block Erase cycle is in progress, the Status Register may be read to check the value of the Write in Progress (WIP) bit. The Write In Progress (WIP) bit is 1 during the self-timed Block Erase cycle, and is 0 when it is completed. At some unspecified time before the cycle is completed, the Write Enable Latch bit is reset. A 32KB Block Erase instruction applied to a block which is protected by the Block Protect (BP4, BP3, BP2, BP1, BP0) bits (see [Table 5&6](#)) is not executed.

Figure 36.a. 32KB Block Erase Sequence Diagram (SPI mode)

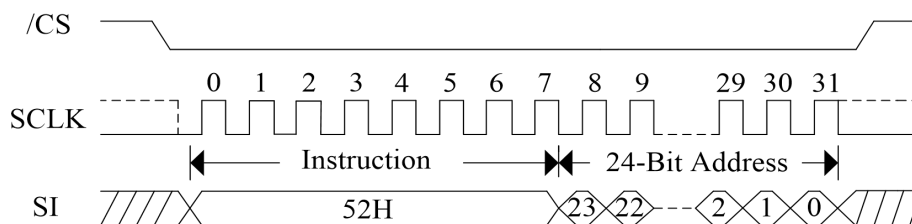
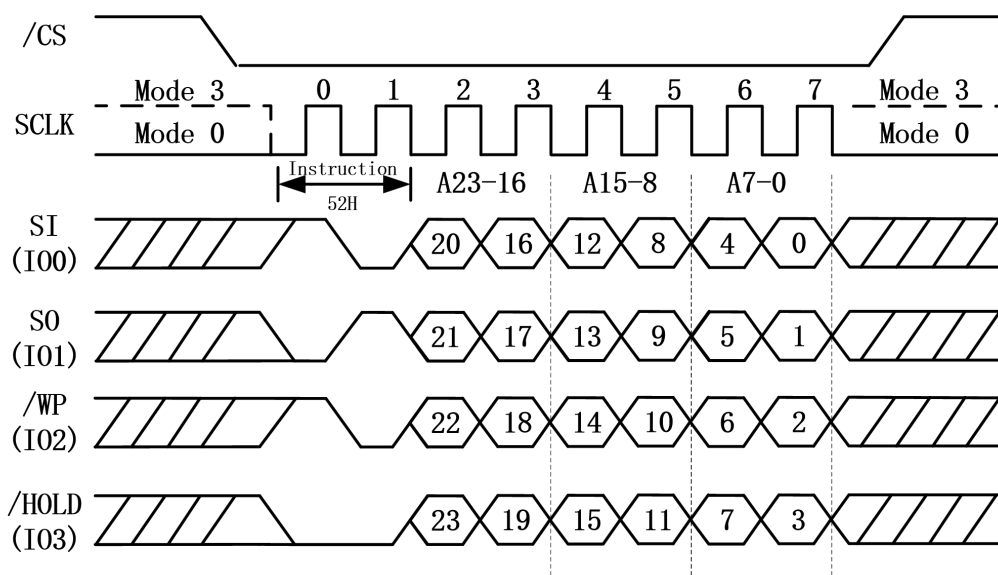


Figure 36.b. 32KB Block Erase Instruction (QPI Mode)



7.4.6 64KB Block Erase (D8H)

The 64KB Block Erase instruction is for erasing the all data of the chosen block. A Write Enable instruction must previously have been executed to set the Write Enable Latch bit. The 64KB Block Erase instruction is entered by driving /CS low, followed by the instruction code, and 3-byte address on SI. Any address inside the block is a valid address for the 64KB Block Erase instruction. /CS must be driven low for the entire duration of the sequence.

See [Figure 37.a \(SPI mode\)](#) & [Figure 37.b \(QPI mode\)](#), the 64KB Block Erase instruction sequence: /CS goes low sending 64KB Block Erase instruction 3-byte address on SI /CS goes high. /CS must be driven high after the eighth bit of the last address byte has been latched in; otherwise the 64KB Block Erase instruction is not executed. As soon as /CS is driven high, the self-timed Block Erase cycle (whose duration is tBE) is initiated. While the Block Erase cycle is in progress, the Status Register may be read to check the value of the Write in Progress (WIP) bit. The Write in Progress (WIP) bit is 1 during the self-timed Block Erase cycle, and is 0 when it is completed. At some unspecified time before the cycle is completed, the Write Enable Latch bit is reset. A 64KB Block Erase instruction applied to a block which is protected by the Block Protect (BP4, BP3, BP2, BP1, BP0) bits (see [Table 5&6](#)) is not executed.

Figure 37.a 64KB Block Erase Sequence Diagram (SPI mode)

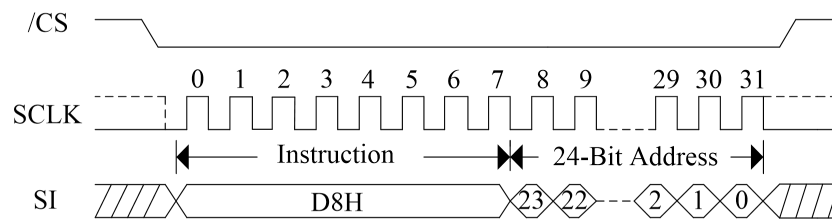
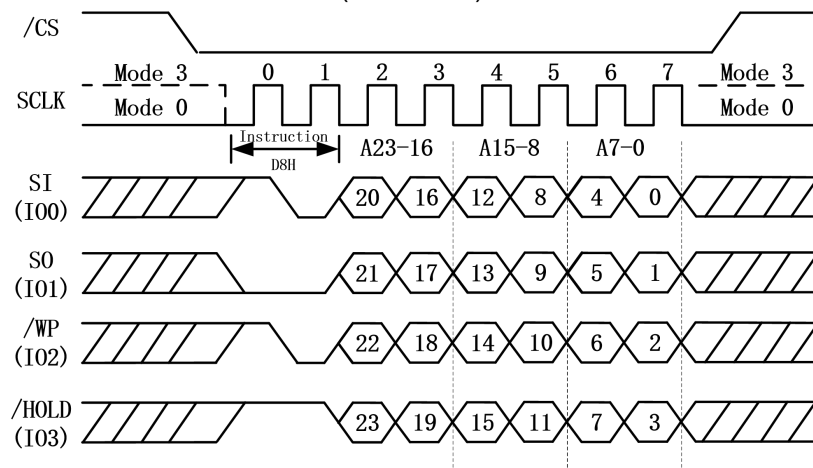


Figure 37.b. 64KB Block Erase Instruction (QPI Mode)



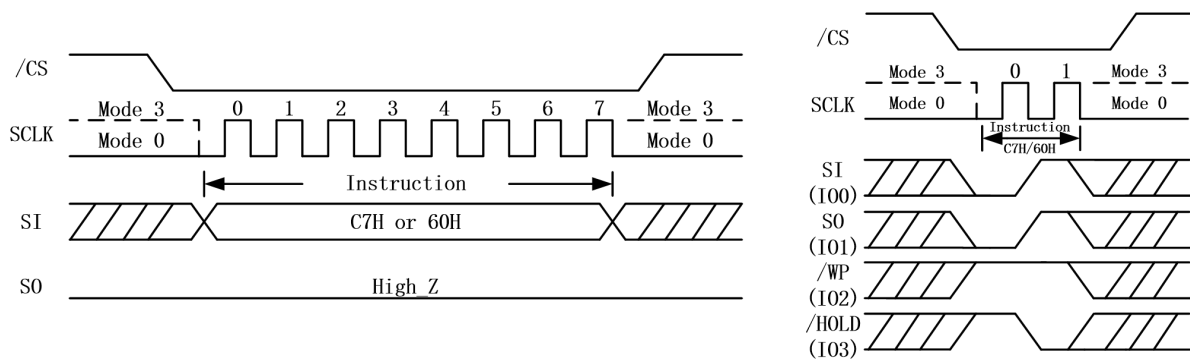
7.4.7 Chip Erase (60/C7H)

The Chip Erase instruction sets all memory within the device to the erased state of all 1s (FFh). A Write Enable instruction must be executed before the device will accept the Chip Erase Instruction (Status Register bit WEL must equal 1). The instruction is initiated by driving the /CS pin low and shifting the instruction code “C7h” or “60h”. The Chip Erase instruction sequence is shown in [Figure 38](#).

The /CS pin must be driven high after the eighth bit has been latched. If this is not done the Chip Erase instruction will not be executed. After /CS is driven high, the self-timed Chip Erase instruction will commence for a time duration of tCE. While the Chip Erase cycle is in progress, the Read Status Register instruction may still be accessed to check the status of the WIP bit.

The WIP bit is a 1 during the Chip Erase cycle and becomes a 0 when finished and the device is ready to accept other Instructions again. After the Chip Erase cycle has finished the Write Enable Latch (WEL) bit in the Status Register is cleared to 0. The Chip Erase instruction is executed only if all Block Protect (BP2, BP1, and BP0) bits are 0. The Chip Erase instruction is ignored if one or more sectors are protected.

Figure 38. Chip Erase Instruction for SPI Mode (left) or QPI Mode (right)



7.4.8 Erase / Program Suspend (75H)

The Erase/Program Suspend instruction allows the system to interrupt a Sector or Block Erase operation, then read from or program data to any other sector/block which is not in the same big block(4Mbit). The Erase/Program Suspend instruction also allows the system to interrupt a Page Program operation and then read from any other page or erase any other sector or block. The Erase/Program Suspend instruction sequence is shown in [Figure 39.a](#) (SPI mode) & [Figure 39.b](#) (QPI mode)

Figure 39.a. Erase/Program Suspend Command Sequence (SPI mode)

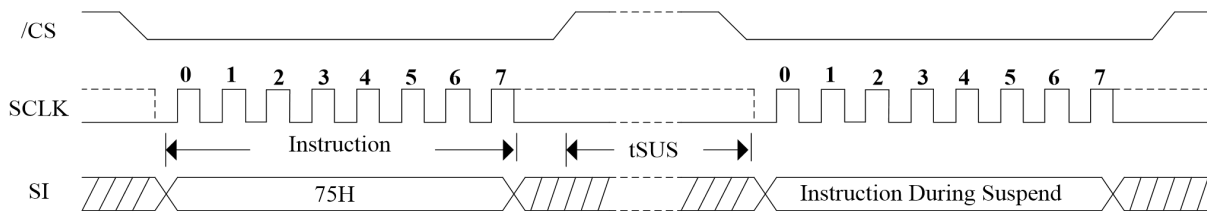
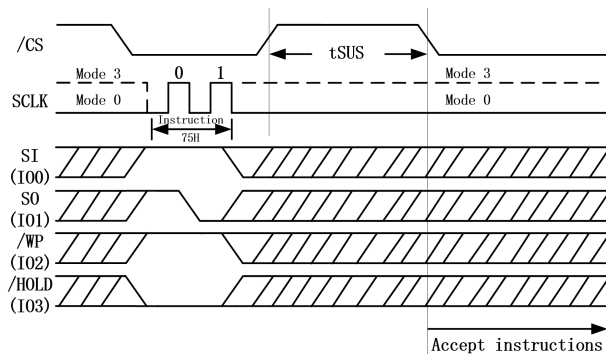


Figure 39.b. Program/Erases Suspend Instruction (QPI Mode)



The Write Status Registers instruction (01h) and Erase instructions (20h, 52h, D8h, C7h, 60h, 44h) are not allowed during Erase Suspend. Erase Suspend is valid only during the Sector or Block erase operation. If written during the Chip Erase operation, the Erase Suspend instruction is ignored. The Write Status Registers instruction (01h), and Program instructions (02h, 42h, 32h, F2h) are not allowed during Program Suspend. Program Suspend is valid only during the Page Program operation. Write status register operation can't be suspended.

Table 11, Readable or Erasable Area of Memory While a Program Operation is Suspended

Suspended operation	Readable or Erasable Region Of Memory Array
Page Program	All but the Page being programmed
Fast Page Program	All but the Page being programmed
Quad Page Program	All but the Page being programmed

Note1: If read the page being programmed, read instruction will be executed, but the data output may be wrong.

Note2: If erase a sector/block that including the page being programmed, the erase instruction will be ignored.

Table 12, Readable or Programmable Area of Memory While an Erase Operation is Suspended

Suspended operation	Readable or Programmable Region Of Memory Array
Sector Erase(4KB)	All but the Big Block(4Mbit) being Erased
Block Erase(32KB)	All but the Big Block(4Mbit) being Erased
Block Erase(64KB)	All but the Big Block(4Mbit) being Erased

Note3: If read data from the same Big Block(4Mbit), read instruction will be executed, but the data output may be wrong.

Note4: If program a page in the same sector/block, the program instruction will be ignored.

Note5: If program a page in other sector/block in the same big block(4Mbit), the program instruction will be executed, but it may be timeout, or the data after program may be wrong.

7.4.9 Erase / Program Resume (7AH)

The Erase/Program Resume instruction “7Ah” must be written to resume the Sector or Block Erase operation or the Page Program operation after an Erase/Program Suspend. The Resume instruction “7AH” will be accepted by the device only if the SUS bit in the Status Register equals to 1 and the WIP bit equals to 0.

After the Resume instruction is issued the SUS bit will be cleared from 1 to 0 immediately, the WIP bit will be set from 0 to 1 within 200 ns and the Sector or Block will complete the erase operation or the page will complete the program operation. If the SUS bit equals to 0 or the WIP bit equals to 1, the Resume instruction “7Ah” will be ignored by the device. The Erase/Program Resume instruction sequence is shown in [Figure 40.a](#) (SPI mode) & [Figure 40.b](#) (QPI mode).

Figure 40.a. Erase/Program Resume Command Sequence (SPI mode)

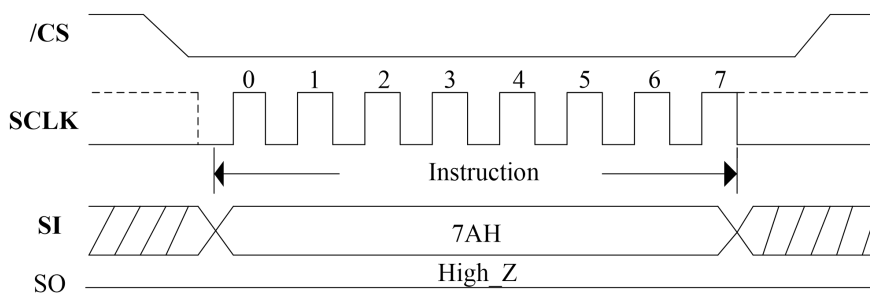
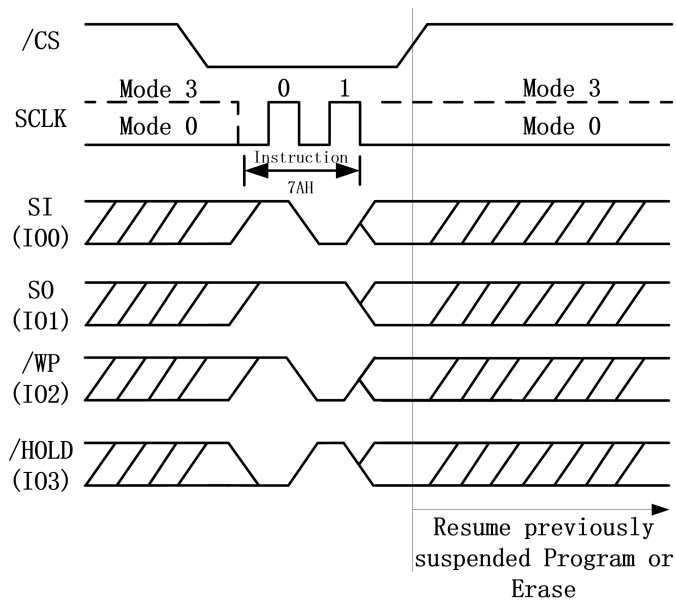


Figure 40.b. Program/Erase Resume Instruction (QPI Mode)



8. Electrical Characteristics

8.1 Absolute Maximum Ratings

PARAMETERS	SYMBOL	CONDITIONS	RANGE	UNIT
Supply Voltage	VCC		-0.5 to 4	V
Voltage Applied to Any Pin	VIO	Relative to Ground	-0.5 to 4	V
Transient Voltage on any Pin	VIOT	<20nS Transient Relative to Ground	-2.0V to VCC+2.0V	V
Storage Temperature	TSTG		-65 to +150	°C
Electrostatic Discharge Voltage	VESD	Human Body Model ⁽¹⁾	-2000 to +2000	V

Notes:

1. JEDEC Std JESD22-A114 (C1=100pF, R1=1500 ohms, R2=500 ohms)

8.2 Operating Ranges

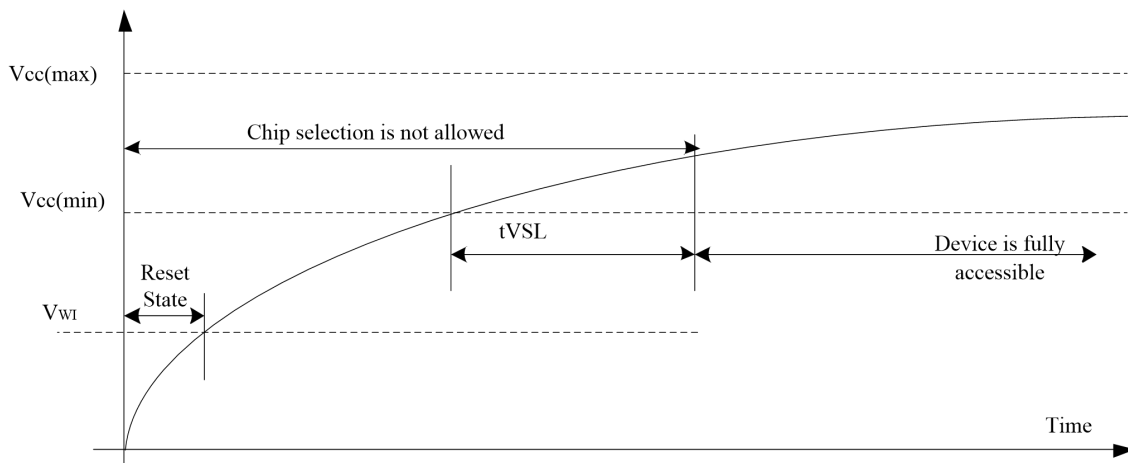
PARAMETER	SYMBOL	CONDITIONS	SPEC		UNIT
			MIN	MAX	
<i>Supply Voltage</i>	VCC		2.7	3.6	V
<i>Temperature Operating</i>	TA	Commercial	0	+70	°C
		Industrial	-40	+85	
		Industrial	-40	+105	

8.3 Latch Up Characteristics

Parameter	Min	Max
Input Voltage Respect To VSS On I/O Pins	-1.0V	VCC+1.0V
VCC Current	-100mA	100mA

8.4 Power-up Timing

Symbol	Parameter	Min	Max	Unit.
tVSL	VCC(min) To /CS Low	300		us
V _{WI}	Write Inhibit Threshold Voltage V _{WI}	1.9	2.3	V



8.5 DC Electrical Characteristics

(T= -40°C~85°C, VCC=2.7~3.6V)

Symbol	Parameter	Test Condition	Min.	Typ	Max.	Unit.
ILI	Input Leakage Current				±2	μA
ILO	Output Leakage Current				±2	μA
ICC1	Standby Current	/CS=VCC, VIN=VCC or VSS		13	25	μA
ICC2	Deep Power-Down Current	/CS=VCC, VIN=VCC or VSS		3	12	μA
ICC3	Operating Current: (Read)	SCLK=0.1VCC/ 0.9VCC, at 120MHz,Q=Open(*1,*,2*4 I/O)		15	20	mA
		SCLK=0.1VCC/ 0.9VCC, at 80MHz,Q=Open(*1,*,2*4 I/O)		13	18	mA
ICC4	Operating Current(Page Program)	/CS=VCC			15	mA
ICC5	Operating Current(WRSR)	/CS=VCC			5	mA
ICC6	Operating Current(Sector Erase)	/CS=VCC			20	mA
ICC7	Operating Current(Block Erase)	/CS=VCC			20	mA
ICC8	Operating Current (Chip Erase)	/CS=VCC			20	mA
VIL	Input Low Voltage		-0.5		0.3VCC	V
VIH	Input High Voltage		0.7VCC		VCC+0.4	V
VOL	Output Low Voltage	IOL =100μA			0.4	V
VOH	Output High Voltage	IOH =-100μA	VCC-0.2			V

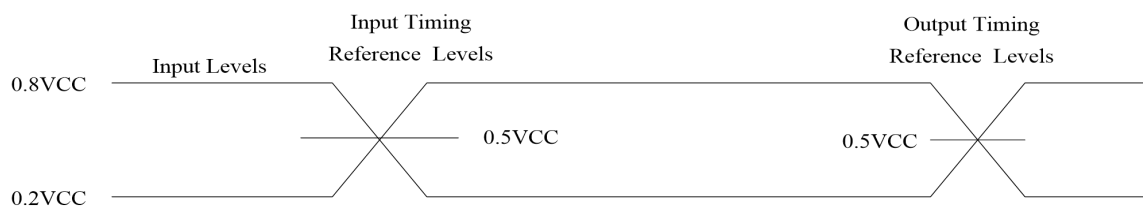
(T= -40°C~105°C, VCC=2.7~3.6V)

Symbol	Parameter	Test Condition	Min.	Typ	Max.	Unit.
ILI	Input Leakage Current				±2	μA
ILO	Output Leakage Current				±2	μA
ICC1	Standby Current	/CS=VCC, VIN=VCC or VSS		23	35	μA
ICC2	Deep Power-Down Current	/CS=VCC, VIN=VCC or VSS		10	18	μA
ICC3	Operating Current: (Read)	SCLK=0.1VCC/ 0.9VCC, at 120MHz,Q=Open(*1,*2*4 I/O)		22	40	mA
		SCLK=0.1VCC/ 0.9VCC, at 80MHz,Q=Open(*1,*2*4 I/O)		16	30	mA
ICC4	Operating Current(Page Program)	/CS=VCC			15	mA
ICC5	Operating Current(WRSR)	/CS=VCC			9	mA
ICC6	Operating Current(Sector Erase)	/CS=VCC			25	mA
ICC7	Operating Current(Block Erase)	/CS=VCC			25	mA
ICC8	Operating Current (Chip Erase)	/CS=VCC			25	mA
VIL	Input Low Voltage		-0.5		0.3VCC	V
VIH	Input High Voltage		0.7VCC		VCC+0.4	V
VOL	Output Low Voltage	IOL =100μA			0.4	V
VOH	Output High Voltage	IOH =-100μA	VCC-0.2			V

8.6 AC Measurement Conditions

Symbol	Parameter	Min	Typ	Max	Unit	Conditions
CL	Load Capacitance			30	pF	
TR, TF	Input Rise And Fall time			5	ns	
VIN	Input Pause Voltage	0.2VCC to 0.8VCC			V	
IN	Input Timing Reference Voltage	0.5VCC			V	
OUT	Output Timing Reference Voltage	0.5VCC			V	

Figure 45. AC Measurement I/O Waveform



8.7 AC Electrical Characteristics

(T= -40°C~85°C, VCC=2.7~3.6V)

Symbol	Parameter	Min.	Typ.	Max.	Unit.
Fc	Clock frequency for all instructions, except Read Data(03H)	DC.		108	MHz
fR	Clock freq. for Read Data instruction (03H).	DC.		55	MHz
tCLH	Serial Clock High Time	4			ns
tCLL	Serial Clock Low Time	4			ns
tCLCH	Serial Clock Rise Time (Slew Rate)	0.1 ⁽¹⁾			V/ns
tCHCL	Serial Clock Fall Time (Slew Rate)	0.1 ⁽¹⁾			V/ns
tSLCH	/CS Active Setup Time	5			ns
tCHSH	/CS Active Hold Time	5			ns
tSHCH	/CS Not Active Setup Time	5			ns
tCHSL	/CS Not Active Hold Time	5			ns
tSHSL	/CS High Time (read/write)	20			ns
tSHQZ	Output Disable Time			6	ns
tCLQX	Output Hold Time	0			ns
tDVCH	Data In Setup Time	2			ns
tCHDX	Data In Hold Time	2			ns
tHLCH	/Hold Low Setup Time (relative to Clock)	5			ns
tHHCH	/Hold High Setup Time (relative to Clock)	5			ns
tCHHL	/Hold High Hold Time (relative to Clock)	5			ns
tCHHH	/Hold Low Hold Time (relative to Clock)	5			ns

tHLQZ	/Hold Low To High-Z Output			6	ns
tHHQX	/Hold Low To Low-Z Output			6	ns
tCLQV	Clock Low To Output Valid			7	ns
tWHSL	Write Protect Setup Time Before /CS Low	20			ns
tSHWL	Write Protect Hold Time After /CS High	100			ns
tDP	/CS High To Deep Power-Down Mode			20	μs
tRES1	/CS High To Standby Mode Without Electronic Signature Read			20	μs
tRES2	/CS High To Standby Mode With Electronic Signature Read			20	μs
tSUS	/CS High To Next Instruction After Suspend			20	μs
tRST_R	/CS High To Next Instruction After Reset(from read)			20	
tRST_P	/CS High To Next Instruction After Reset(from program)			20	
tRST_E	/CS High To Next Instruction After Reset(from erase)			12	
tW	Write Status Register Cycle Time		5	30 ⁽²⁾	ms
tBP1	Byte Program Time (First Byte) ⁽³⁾		30	50	μs
tBP2	Additional Byte Program Time (After First Byte) ⁽³⁾		2.5	12	μs
tPP	Page Programming Time		0.6	2.4	ms
tSE	Sector Erase Time		50	300	ms
tBE	Block Erase Time(32K Bytes/64K Bytes)		0.15/0.25	1.6/2	S
tCE	Chip Erase Time		7	20	S

Note:

1. Tested with clock frequency lower than 50 MHz.
2. For multiple bytes after first byte within a page, $tBP_n = tBP_1 + tBP_2 \times N$, where N is the number of bytes programmed.

(T= -40°C~105°C, VCC=2.7~3.6V)

Symbol	Parameter	Min.	Typ.	Max.	Unit.
F _c	Clock frequency for all instructions, except Read Data(03H)	DC.		108	MHz
f _R	Clock freq. for Read Data instruction (03H) .	DC.		55	MHz
t _{CLH}	Serial Clock High Time	4			ns
t _{CLL}	Serial Clock Low Time	4			ns
t _{CLCH}	Serial Clock Rise Time (Slew Rate)	0.1 ⁽¹⁾			V/ns
t _{CHCL}	Serial Clock Fall Time (Slew Rate)	0.1 ⁽¹⁾			V/ns
t _{SLCH}	/CS Active Setup Time	5			ns
t _{CHSH}	/CS Active Hold Time	5			ns
t _{SHCH}	/CS Not Active Setup Time	5			ns
t _{CHSL}	/CS Not Active Hold Time	5			ns
t _{SHSL}	/CS High Time (read/write)	20			ns
t _{SHQZ}	Output Disable Time			6	ns
t _{CLQX}	Output Hold Time	0			ns
t _{DVCH}	Data In Setup Time	2			ns
t _{CHDX}	Data In Hold Time	2			ns
t _{HLCH}	/Hold Low Setup Time (relative to Clock)	5			ns
t _{HHCH}	/Hold High Setup Time (relative to Clock)	5			ns
t _{CHHL}	/Hold High Hold Time (relative to Clock)	5			ns
t _{CHHH}	/Hold Low Hold Time (relative to Clock)	5			ns
t _{HLQZ}	/Hold Low To High-Z Output			6	ns
t _{HHQX}	/Hold Low To Low-Z Output			6	ns
t _{CLQV}	Clock Low To Output Valid			7	ns
t _{WHSL}	Write Protect Setup Time Before /CS Low	20			ns
t _{SHWL}	Write Protect Hold Time After /CS High	100			ns
t _{DP}	/CS High To Deep Power-Down Mode			20	μs
t _{RES1}	/CS High To Standby Mode Without Electronic Signature Read			20	μs
t _{RES2}	/CS High To Standby Mode With Electronic Signature Read			20	μs
t _{SUS}	/CS High To Next Instruction After Suspend			20	μs
t _{RST_R}	/CS High To Next Instruction After Reset(from read)			20	
t _{RST_P}	/CS High To Next Instruction After Reset(from program)			20	
t _{RST_E}	/CS High To Next Instruction After Reset(from erase)			12	
t _W	Write Status Register Cycle Time		5	30 ⁽²⁾	ms
t _{BP1}	Byte Program Time (First Byte) ⁽³⁾		30	60	μs
t _{BP2}	Additional Byte Program Time (After First Byte) ⁽³⁾		2.5	15	μs
t _{PP}	Page Programming Time		0.6	4	ms
t _{SE}	Sector Erase Time		50	400	ms

tBE	Block Erase Time(32K Bytes/64K Bytes)		0.2/0.3	1.6/3	S
tCE	Chip Erase Time		10	35	S

Note:

1. Tested with clock frequency lower than 50 MHz.
2. For multiple bytes after first byte within a page, $tBPn = tBP1 + tBP2 \times N$, where N is the number of bytes programmed.

Figure 46. Serial inputTiming

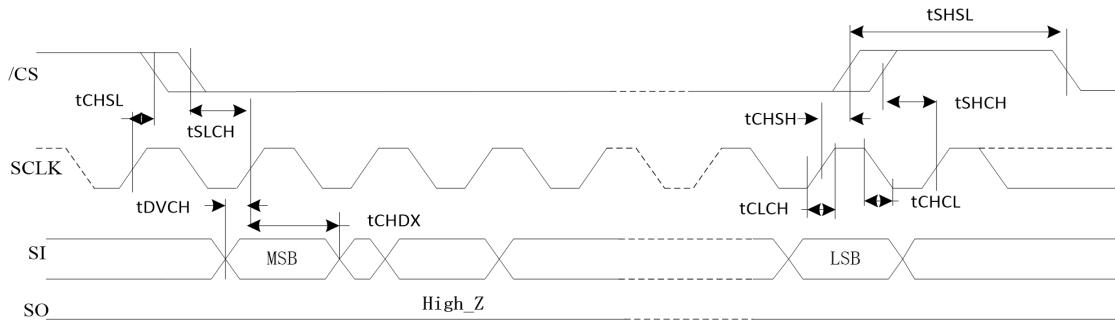


Figure 47. Output Timing

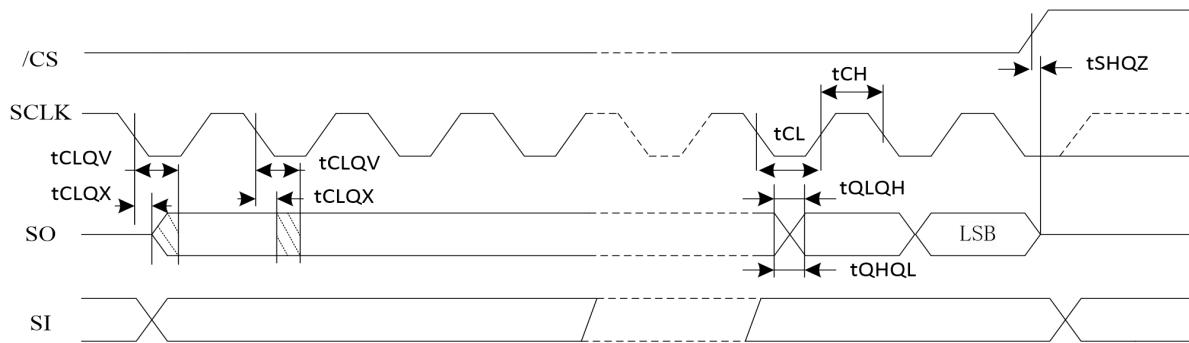


Figure 48. Hold Timing

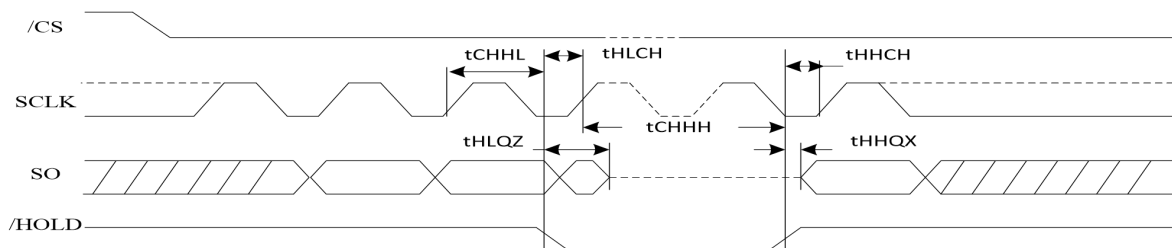
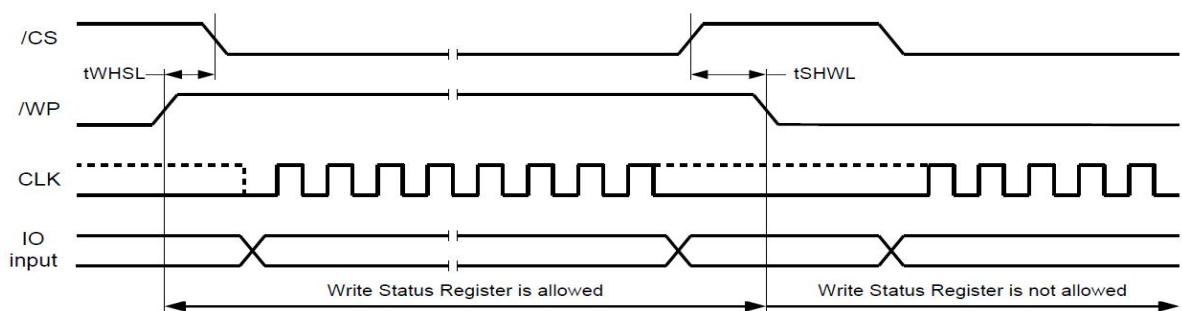
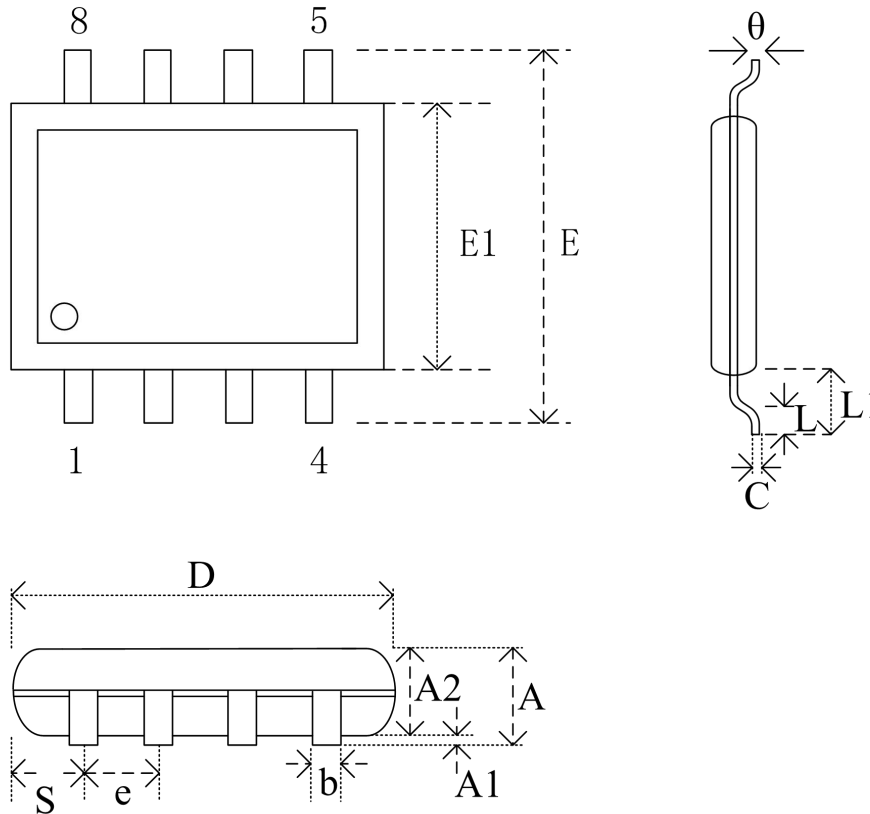


Figure 49. /WP Timing



9. Package Information

9.1 Package 8-Pin SOP 150-mil



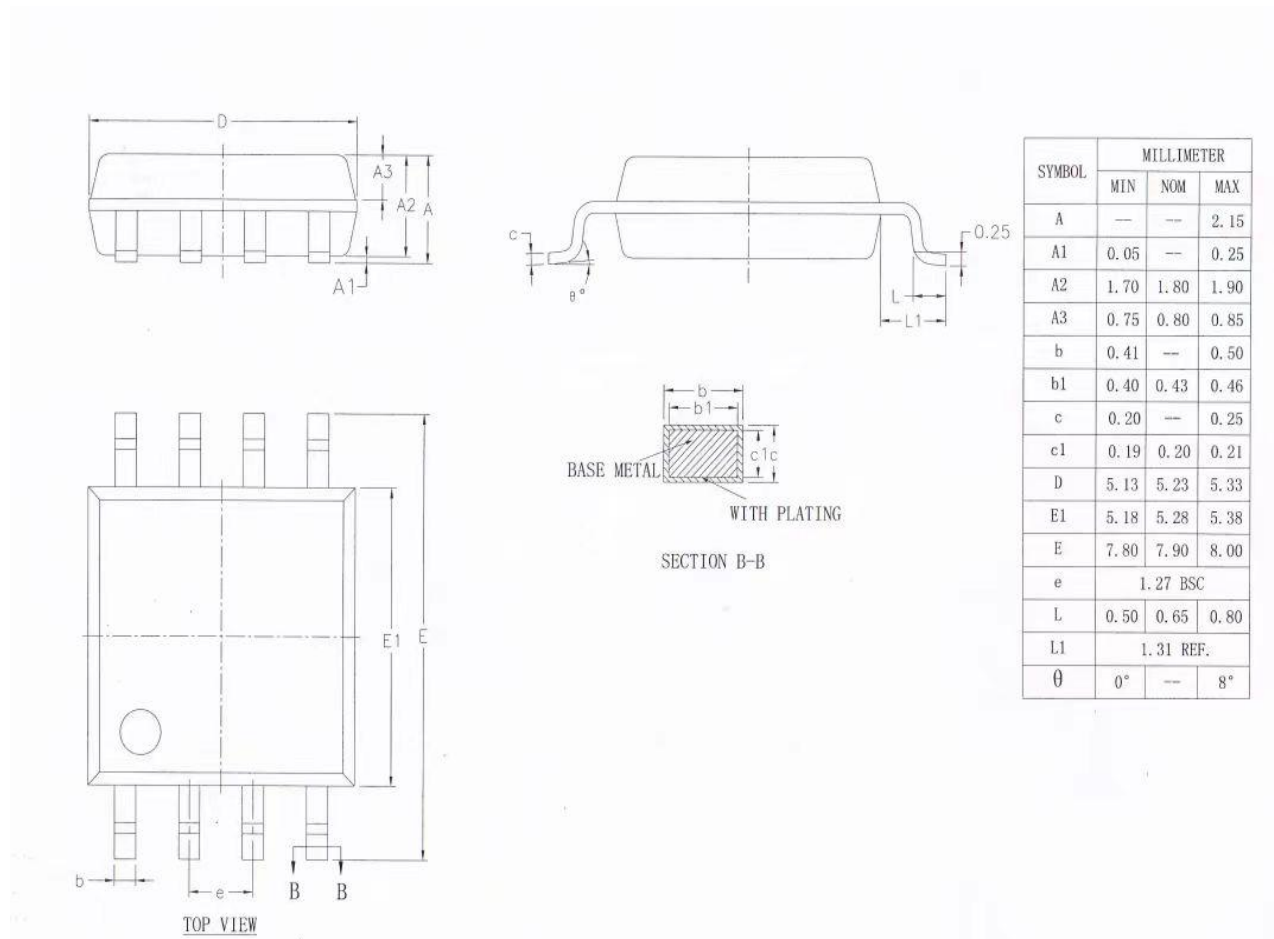
Dimensions

Symbol		A	A1	A2	b	C	D	E	E1	e	L	L1	S	θ
Unit														
mm	Min	-	0.10	1.30	0.39	0.20	4.80	5.80	3.80	1.27	0.50	1.05	0.41	0
	Nom	-	-	1.40	-	-	4.90	6.00	3.90		-		0.54	5
	Max	1.75	0.225	1.50	0.47	0.24	5.00	6.20	4.00		0.80		0.67	8

Note:

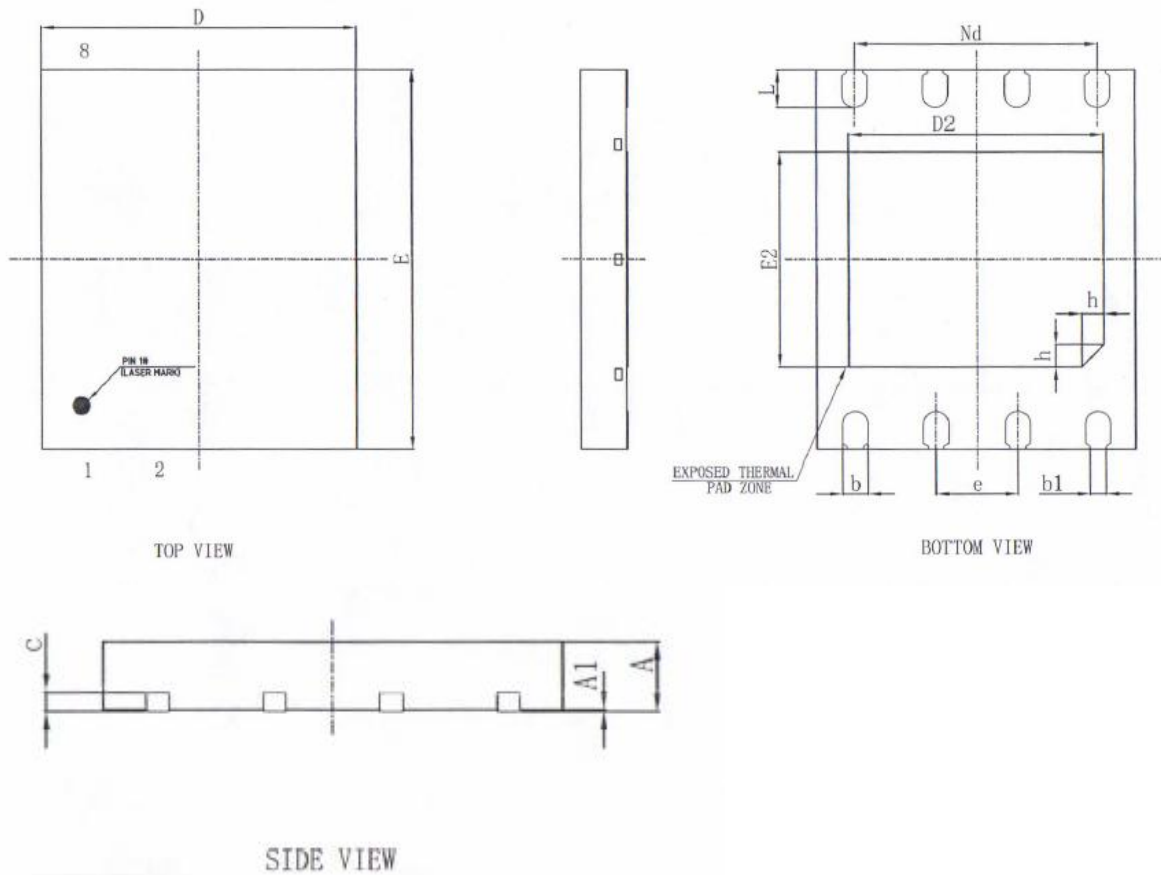
- 1、 The dimension above do not include the molding residue;
- 2、 Molding residue $\leq 0.152\text{mm}$ for single side;

9.2 Package 8-Pin SOP 208-mil



Note:

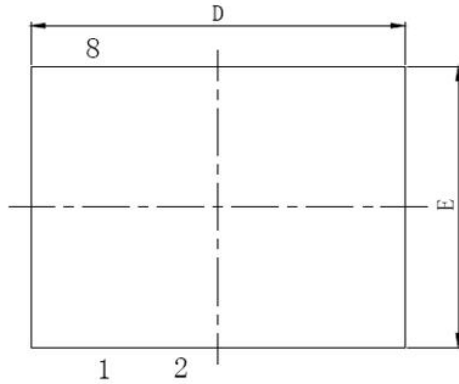
- 3、 The dimension above do not include the molding residue;
- 4、 Molding residue ≤ 0.152mm for single side;

9.3 Package 8-Pad WSON (5x6mm)

Dimensions

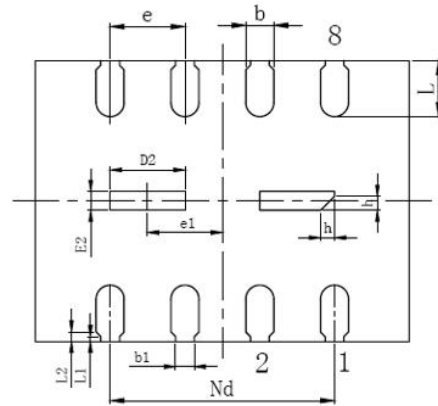
Symbol		A	A1	b	b1	c	D	Nd	e	E	D2	E2	L	h
Unit														
mm	Min	0.70	0	0.35	0.25REF	0.18	4.90	3.81BSC	1.27BSC	5.90	3.90	3.30	0.55	0.30
	Nom	0.75	0.02	0.40		0.203	5.00			6.00	4.00	3.40	0.60	0.35
	Max	0.80	0.05	0.45		0.25	5.10			6.10	4.10	3.50	0.65	0.40

Note:

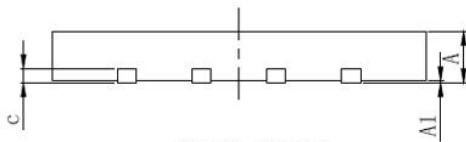
- The exposed metal pad area on the bottom of the package is floating.

9.4 Package USON8 (4X3mm)


TOP VIEW



BOTTOM VIEW



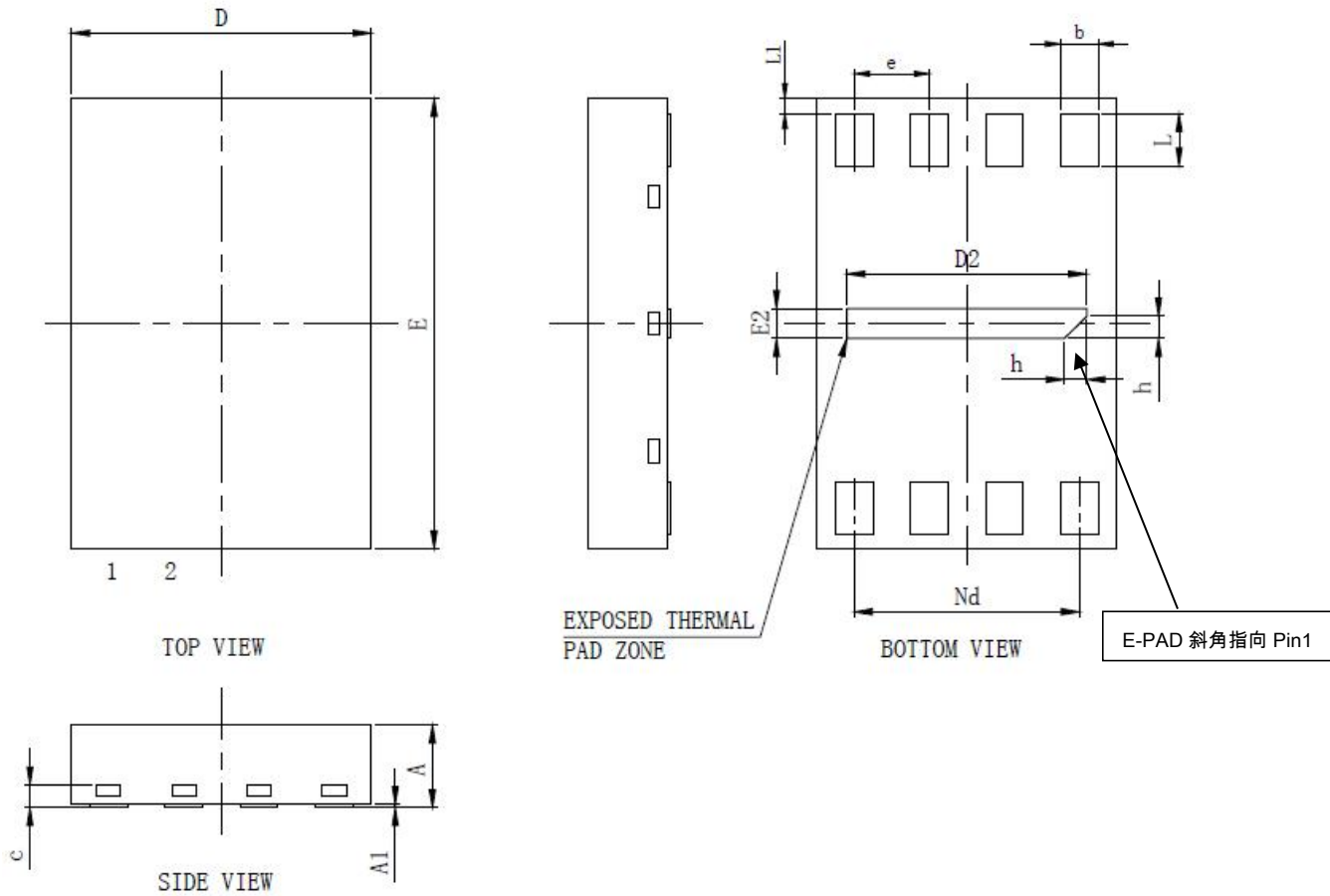
SIDE VIEW

Dimensions

Symbol		A	A1	b	b1	c	D	D2	e
Unit									
mm	Min	0.5	0	0.25	0.2REF	0.1	3.9	0.7	0.8BSC
	Nom	0.55	0.02	0.3		0.15	4	0.8	
	Max	0.6	0.05	0.35		0.2	4.1	0.9	
Symbol		e1	Nd	E	E2	L	L1	L2	h
Unit									
mm	Min	0.8BSC	2.4BSC	2.9	0.1	0.55	0.05REF	0.10REF	0.1
	Nom			3	0.2	0.6			0.15
	Max			3.1	0.3	0.65			0.2

Note:

1. The exposed metal pad area on the bottom of the package is floating.

9.5 Package USON8 (2X3-0.55mm)

Dimensions

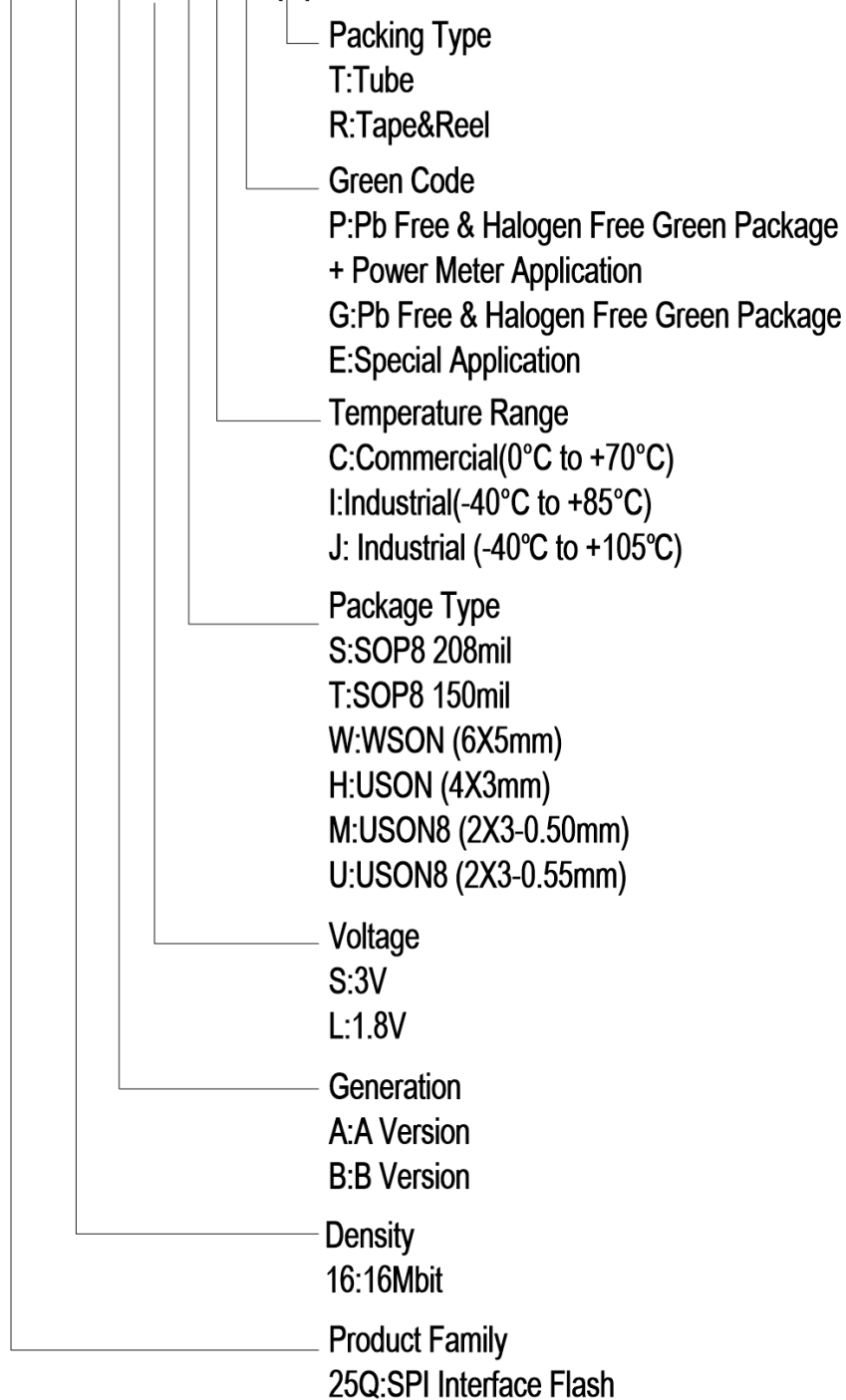
Symbol	A	A1	b	c	D	D2	e	Nd	E	E2	L	L1	h	
Unit														
mm	Min	0.50	0	0.20	0.10	1.90	1.50	0.50BSC	1.50BSC	2.90	0.10	0.30	0.05	0.05
	Nom	0.55	0.02	0.25	0.15	2.00	1.60			3.00	0.20	0.35	0.10	0.15
	Max	0.60	0.05	0.30	0.20	2.10	1.70			3.10	0.30	0.40	0.15	0.25

Note:

- The exposed metal pad area on the bottom of the package is floating.

10. Order Information

BY 25Q 16 B S S I G (T)



10.1 Valid part Numbers

The following table provides the valid part numbers for BY25Q16BS SPI Flash Memory. Pls contact BY Technology for specific availability by density and package type.

(T= -40°C~85°C, VCC=2.7~3.6V)

Package Type	Density	Product Number
S SOP8 208mil	16M-bit	BY25Q16BSSIG
T SOP8 150mil	16M-bit	BY25Q16BSTIG
USON 2X3-0.50(B)	16M-bit	BY25Q16BSMIG
USON 2X3-0.55	16M-bit	BY25Q16BSUIG

For Power Meter application:

Package Type	Density	Product Number
S SOP8 208mil	16M-bit	BY25Q16BSSIP

For special application:

Package Type	Density	Product Number
S SOP8 208mil	16M-bit	BY25Q16BSSIE

(T= -40°C~105°C, VCC=2.7~3.6V)

Package Type	Density	Product Number
S SOP8 208mil	16M-bit	BY25Q16BSSJG
T SOP8 150mil	16M-bit	BY25Q16BSTJG
U USON8 2X3-0.55mm	16M-bit	BY25Q16BSUJG

10.2 Minimum Packing Quantity (MPQ)

Package Type	Packing Type	Qty for 1 Tube or Reel	Vacuum bag/ Inner Box	MPQ
SOP8 150mil	Tube	100ea/Tube	100Tubes/Bag 1Bag/InnerBox	10,000
	Tape&Reel (13inch, 12mm)	4000ea/Reel	1Reel/Bag 1Bags/InnerBox	4,000
SOP8 208mil	Tube	95ea/Tube	100Tubes/Bag 1Bag/InnerBox	9,500
	Tape&Reel (13inch, 16mm)	2000ea/Reel	1Reel/Bag 2Bags/InnerBox	4,000
WSO8 6X5mm	Tape&Reel (13inch)	3000ea/Reel	1Reel/Bag 1Bag/InnerBox	3,000
DFN8 4X3mm	Tape&Reel (13inch)	3000ea/Reel	1Reel/Bag 1Bag/InnerBox	3,000
USO8 2X3-0.55mm	Tape&Reel (7inch)	3000ea/Reel	1Reel/Bag 10Bags/InnerBox	30,000

11. Document Change History

REVISION	DATE	ORIGINATOR	DESCRIPTION
1.0	2018-01-29	Zuohuan Yu	Initiate;
1.1	2018-07-13	Zuohuan Yu	Add 105°C Electrical Characteristics;
1.2	2018-12-04	Zuohuan Yu	Add USON8 2X3mm assembly description;
1.3	2019-02-27	Zuohuan Yu	update USON8 2X3mm package spec;
1.4	2019-04-27	Zuohuan Yu	Update WSON 5X6 POD; Add MPQ Information;
1.5	2019-06-23	Zuohuan Yu	Add USON8 2X3mm 0.55mm thickness package spec for 105C;
1.6	2019-07-22	Zuohuan Yu	Update all USON 2X3 P/N thickness from 0.5mm to 0.55mm;
1.7	2019-08-07	Zuohuan Yu	Update USON 2X3-0.55 P/N from BY25Q16BSMJG to BY25Q16BSUJG;
1.8	2019-12-13	Zuohuan Yu	Added Quad I/O Fast Read instruction description for QPI mode; Modify the pictures of Fast Read, Quad I/O Fast Read and Burst Read with Wrap instructions; Modify the description in 8.5 Power-up Timing;
1.9	2020-01-17	Zuohuan Yu	Fixed typo error in protect table. Update dummy clock in EBh/E7h waveform.
2.0	2020-06-03	Zuohuan Yu	Update read/program/erase allowed region under suspend status.
2.1	2020-07-02	Zuohuan Yu	Update speed description on section 1
2.2	2020-07-21	Zuohuan Yu	Modify data Retention and Endurance
2.3	2020-09-01	Zuohuan Yu	Add special application part number
2.4	2021-04-06	Zuohuan Yu	Update sop8-150mil MPQ
2.5	2023-04-06	Zuohuan Yu	Update the logo and abbreviation
2.6	2023-07-20	Zuohuan Yu	Add the note of the DFN package
2.7	2023-11-15	Zuohuan Yu	Update sop8-208mil package Information